



PARTS CATALOG

Published

2009/8 (Aug.)

0CNP4-G73200

Directions for the Parts Catalog.

- 1.The parts stipulated in this Parts Catalog are not necessarily standard equipped parts.
- 2.Parts may change without prior notice.
- 3.The following is an example of the Parts Catalog format.

OCF10-G216100 29. FUEL INJECTION PUMP				(A)=4JH-DT (D)=4JH-DTZA (B)=4JH-DTZ (E)=4JH-DTZY (C)=4JH-DTZP (F)=						
REF.	LEV.	PARTSNo.	DESCRIPTION	QTY						I R
				(A)	(B)	(C)	(D)	(E)	(F)	
1		729595-51390	FUEL INJECTION PUMP	1	1	1	1	1	1	
1-1	1	729595-51391	FUEL INJECTION PUMP	1	1	1	1	1	1	N 1
		(A=E00185) (B=E00200)								
3	2	26022-060162	SCREW M 6X16	9	9	9	9	9	9	
3-1	2	26022-060162	SCREW M 6X16	4	4	4	4	4	4	K
		(A=E00156) (B=E00156) (C=E00156) (D=E00156) (E=E00156)								
4	2	129470-51040	CAMSHIFT	9	9	9	9	9	9	
5	2	122710-51050	BEARING. ROLLER	9	9	9	9	9	9	
6	2	129470-51060	RETAINER	9	9	9	9	9	9	

Remarks	
(1)	BOOST COMPEMSATOR TYPE. OPTIONAL PART. TO E/#00155 (4JH-DT, 4JH-DTZ)

①Ref. No.

The Ref. No. listed may not be in accordance with the illustration Ref. No.

(Ex.) Illustration No. List Ref No.

1 1 (Before change) → 1-1 (After change)

For interchangeable symbols N, R and K, illustrations for new parts may be abbreviated.

②Lev. (Level)

Level indication

The numbers below indicate the level of relativity towards the main part.

- 1 ---- Main parts (Assembly parts)
- 2 ---- Sub component included in " 1 "
- 3 ---- Sub component included in " 2 "

Note) Parts that are not for sale are partially illustrated but not listed.

③Change Mark

The "I" indicates parts that were newly changed.

④Interchangeability Mark

When a part change takes place, one of the following interchangeability symbols is indicated beside the part.

Symbol	Interchangeability	Contents note
N	Old $\begin{matrix} \leftarrow \text{Yes} \\ \text{No} \rightarrow \end{matrix}$ New	New Part is interchangeable for Old Part but Old Part is not interchangeable for New Part.
Q	Old $\begin{matrix} \text{No} \leftarrow \\ \text{Yes} \rightarrow \end{matrix}$ New	New Part is not interchangeable for Old Part but Old Part is interchangeable for New Part.
R	Old $\begin{matrix} \leftarrow \text{Yes} \\ \text{Yes} \rightarrow \end{matrix}$ New	New/ Old Parts are both interchangeable.
S	Old $\begin{matrix} \text{No} \leftarrow \\ \text{No} \rightarrow \end{matrix}$ New	New/ Old Parts are both not interchangeable.
W		Part discontinued.
Z		Part newly added.
F		Not interchangeable by a single part but interchangeable together with related parts.
K		Changes only for used parts quantities.

⑤Effective Machine No.

When a part changes, the effective Machine No. will be indicated in the (A)-(F) column.

Product Symbol	Product No.	Product Symbol	Product No.
C	Clutch No. Compressor No.	F	Machine No. (Agricultural Equip.)
D	Drive No.	M	Machine No.
E	Engine No.	Note 1)	Date

Note 1) A date may follow the symbol. (Ex.) 1996.01

Note 2) " XXX " are for parts that could not be predicted or for engine models that could not be identified.

Note 3) (A=E/#00185) is the E/# (Engine Serial Number) for the column (A) model (in this case 4JH-DT) after the parts design change.

⑥Remarks Mark

Figures or alphabets (symbols) are entered in the remarks column.

The comments (remarks) on parts that are indicated at the bottom of the illustration are the same symbols as those stated above.

CONTENTS

MODEL : 3TNV88-XRFM
PC NO : 0CNP4-G73200

Fig.No. GROUP NAME
ENGINE SECTION

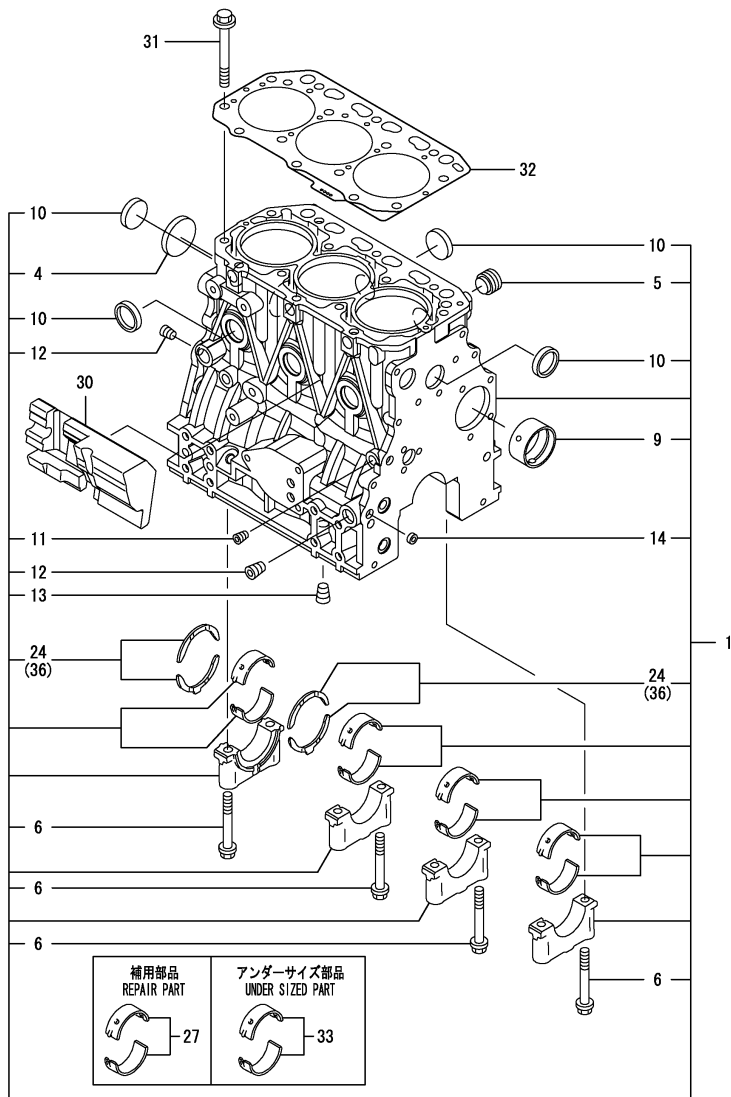
1. CYLINDER BLOCK
2. GEAR HOUSING
3. OIL SUMP
4. CYLINDER HEAD & BONNET
5. SUCTION MANIFOLD
6. EXHAUST MANIFOLD & SILENCER
7. CAMSHAFT & DRIVING GEAR
8. CRANKSHAFT & PISTON
9. HYDRAULIC PUMP
10. LUB.OIL SYSTEM
11. COOLING WATER SYSTEM
12. FUEL INJECTION PUMP
13. GOVERNOR
14. FUEL INJECTION VALVE
15. FUEL LINE
16. STARTING MOTOR
17. GENERATOR

Fig.No. GROUP NAME

Fig.1. CYLINDER BLOCK

(A)=3TNV88-XRFM
(B)=
(C)=

(D)=
(E)=
(F)=



REF.	LEV.	PARTS NO.	DESCRIPTION	Q'TY						I	R
				(A)	(B)	(C)	(D)	(E)	(F)		
1	1	729005-01562	BLOCK ASSY, CYLINDER	1							
4	2	129001-01250	PLUG 50	1							
5	2	171051-01921	PLUG	1							
6	2	129150-02020	BOLT, METAL CAP	8							
9	2	129795-02412	BUSH, CAMSHAFT	1							
10	2	27241-300000	PLUG 30	6							
11	2	124060-01050	PLUG PT1/8	1							
12	2	124160-01910	PLUG PT1/4	2							
13	2	124160-01910	PLUG PT1/4	1							
14	2	27241-120000	PLUG 12	2							
24	2	129150-02931	METAL, THRUST	2							
27	1	129001-02931	MAIN BEARING SET	4							3
30	1	129004-01190	SPACER	1							
31	1	129150-01200	STUD, CYL. HEAD	14							
32	1	129001-01340	GASKET, (NON-ASB.)	1							
33	1	129150-02871	MAIN METAL US=0.25	4							1
36	1	129150-02941	METAL, THRUST.25(4PIE	1							2

Remarks

(1) UNDER-SIZE(U.S=0.25)PART.
(2) OVER-SIZE(O.S=0.25)PART.
(3) REPAIR PART.
(REMARKS)"EFFECTIVE MACHINE NO." OF
ENGINE IS INDICATED ON THE
ENGINE LABEL WHICH IS SHOWN
IN FIG.4.

Fig.2. GEAR HOUSING

(A)=3TNV88-XRFM

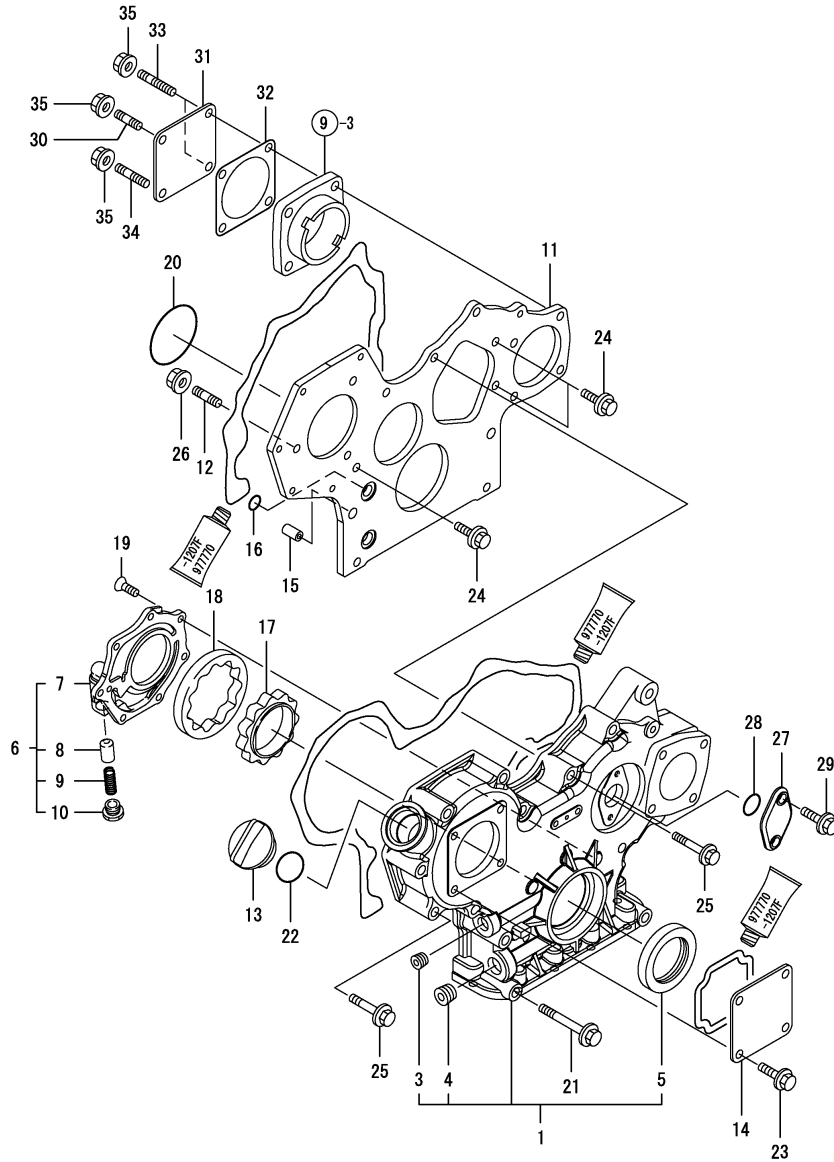
(B)=

(C)=

(D)=

(E)=

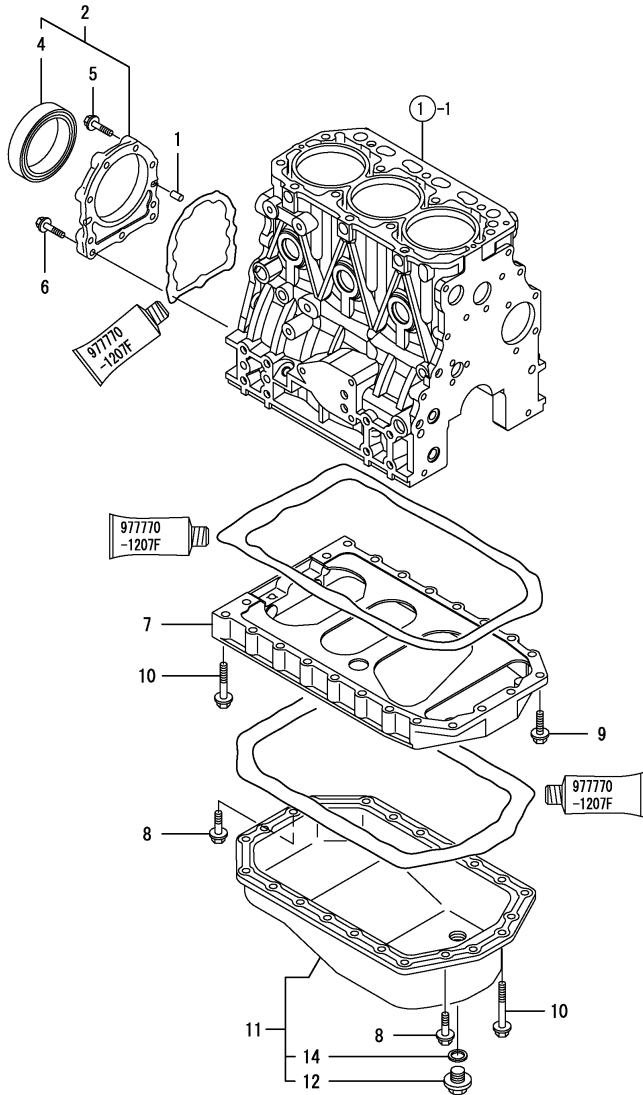
(F)=



REF.	LEV.	PARTS NO.	DESCRIPTION	QTY						I	R
				(A)	(B)	(C)	(D)	(E)	(F)		
1	1	729235-01500	GEAR CASE ASSY	1							
3	2	23876-030000	PLUG PT3/8,SCREW	1							
4	2	23876-040000	PLUG PT 1/2	1							
5	2	119934-01800	SEAL, OIL	1							
6	1	119802-32100	COVER ASSY, PUMP	1							
7	2	119802-32070	COVER, LUB.OIL PUMP	1							
8	2	129900-32130	VALVE, RELIEF	1							
9	2	129418-32320	SPRING	1							
10	2	129001-32330	PLUG	1							
11	1	129004-01520	FRANGE, GEAR CASE	1							
12	1	119802-01561	STUD, M8X25	3							
13	1	124160-01751	COVER,FILLER	1							
14	1	124240-01871	COVER, HO-P	1							
15	1	129795-01950	PIPE, KNOCK L=18	2							
16	1	119609-32040	O-RING P16	4							
17	1	119802-32111	ROTOR, INNER	1							
18	1	119802-32120	ROTOR, OUTER	1							
19	1	119802-32130	SCREW, M6X16	7							
20	1	121850-51960	O-RING, F.I.PUMP	1							
21	1	129001-91841	BOLT M 8X 85 PLATED	3							
22	1	24311-000320	O-RING 1A P-32.0	1							
23	1	26106-080162	BOLT M 8X 16 PLATED	4							
24	1	26106-080162	BOLT M 8X 16 PLATED	3							
25	1	26106-080552	BOLT M 8X 55 PLATED	11							
26	1	26306-080002	NUT	3							
27	1	121023-01551	COVER, BLIND	1							
28	1	24341-000240	O-RING 1A S-24.0	1							
29	1	26106-060162	BOLT M 6X 16 PLATED	2							
30	1	129150-01580	STUD 8 X 30	1							
31	1	124240-01871	COVER, HO-P	1							
32	1	124240-01883	GASKET, (NON-ASB.)	1							
33	1	129261-26070	STUDBOLT, M8X45 PUMP	2							
34	1	26216-080402	STUD M 8X 40 PLATED	1							
35	1	26306-080002	NUT	4							

Remarks
 (REMARKS)"EFFECTIVE MACHINE NO." OF
 ENGINE IS INDICATED ON THE
 ENGINE LABEL WHICH IS SHOWN
 IN FIG.4.

Fig.3. OIL SUMP



OCNP4-G73200 3. OIL SUMP

(A)=3TNV88-XRFM

(B)=

(C)=

(D)=

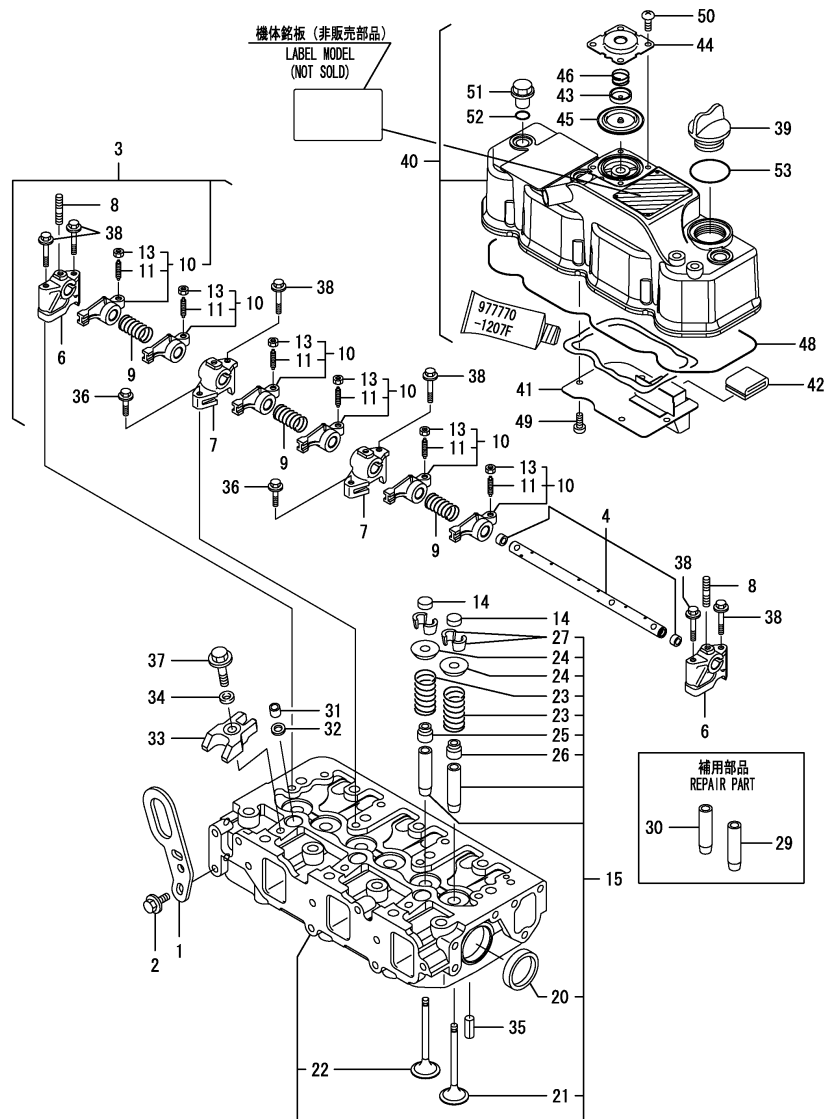
(E)=

(F)=

REF.	LEV.	PARTS NO.	DESCRIPTION	QTY						I	R
				(A)	(B)	(C)	(D)	(E)	(F)		
1	1	129100-01580	PARALLEL PIN 8X16	2							
2	1	129100-01640	CASE ASSY, OIL SEAL	1							
4	2	129795-01780	SEAL, OIL	1							
5	1	129486-01670	BOLT M8X30,COLLAR HD	6							
6	1	26106-080352	BOLT M 8X 35 PLATED	3							
7	1	129100-01730	SPACER, OIL SUMP	1							
8	1	26106-080252	BOLT M 8X 25 PLATED	4							
9	1	26106-080252	BOLT M 8X 25 PLATED	2							
10	1	26106-080602	BOLT M 8X 60 PLATED	20							
11	1	129163-01540	OIL PAN ASSY	1							
12	2	105425-01690	PLUG M16	1							
14	2	22190-160002	SEAL WASHER 16S	1							

Remarks
 (REMARKS)"EFFECTIVE MACHINE NO." OF
 ENGINE IS INDICATED ON THE
 ENGINE LABEL WHICH IS SHOWN
 IN FIG.4.

Fig.4. CYLINDER HEAD & BONNET



Remarks
 (1) REPAIR PART.
 (REMARKS)"EFFECTIVE MACHINE NO." OF
 ENGINE IS INDICATED ON THE
 ENGINE LABEL WHICH IS SHOWN
 IN FIG.4.

OCNP4-G73200 4. CYLINDER HEAD & BONNET

(A)=3TNV88-XRFM
 (B)=
 (C)=

(D)=
 (E)=
 (F)=

REF.	LEV.	PARTS NO.	DESCRIPTION	QTY						I	R
				(A)	(B)	(C)	(D)	(E)	(F)		
1	1	119626-07900	LIFTING, ENGINE	1							
2	1	26106-080142	BOLT 8X 14 PLATED	2							
3	1	129004-11241	SHAFT ASSY, ROCKER	1							
4	2	129004-11251	SHAFT, ROCKER ARM	1							
6	2	119802-11260	SUPPORT, ROCKER ARM	2							
7	2	119802-11270	SUPPORT, ROCKER ARM	2							
8	2	119802-11280	STUD	3							
9	2	129150-11280	SPRING	3							
10	2	129004-11650	ARM ASSY, ROCKER	6							
11	3	129150-11230	SCREW, VALVE	6							
13	3	129150-11750	NUT M8XP1.0	6							
14	1	129150-11370	CAP, VALVE	6							
15	1	129004-11700	HEAD ASSY, CYLINDER	1							
20	2	27241-400000	PLUG 40	2							
21	2	129004-11130	VALVE, INTAKE	3							
22	2	129100-11112	VALVE, EXHAUST	3							
23	2	129795-11120	SPRING, VALVE	6							
24	2	129795-11180	RETAINER, SPRING	6							
25	2	121400-11340	SEAL, VALVE STEM	3							
26	2	124460-11340	SEAL, VALVE STEM	3							
27	2	27310-080001	COTTER 8	6							
29	1	120130-11860	GUIDE, VALVE	3							1
30	1	129150-11810	GUIDE, VALVE	3							1
31	1	119802-11870	PROTECTOR, NOZZLE	3							
32	1	119625-11880	SEAT, NOZZLE	3							
33	1	129004-11900	RETAINER, NOZZLE	3							
34	1	120270-54410	WASHER	3							
35	1	22351-060012	SPRING PIN 6X12	2							
36	1	26106-080252	BOLT M 8X 25 PLATED	2							
37	1	26106-080352	BOLT M 8X 35 PLATED	3							
38	1	26106-080502	BOLT M 8X 50 PLATED	6							
39	1	124160-01751	COVER,FILLER	1							
40	1	129004-11350	BONNET ASSY, HEAD	1							
41	2	129004-03010	PLATE, BAFFLE	1							
42	2	129150-03070	BAFFLE, BREATHER	1							
43	2	119802-03110	PLATE, DIAPHRAGM	1							
44	2	119802-03121	COVER, DIAPHRAGM	1							
45	2	119802-03130	DIAPHRAGM	1							
46	2	119802-03141	SPRING, DIAPHRAGM	1							
48	2	129004-11310	GASKET, BONNET	1							
49	2	22857-500100	SCREW 5X10,TAPPING	4							
50	2	22857-500100	SCREW 5X10,TAPPING	4							
51	1	124160-11360	KNOB	3							
52	1	24311-000120	PACKING, P 12.0	3							
53	1	24311-000320	O-RING 1A P-32.0	1							

Fig.5. SUCTION MANIFOLD

(A)=3TNV88-XRFM

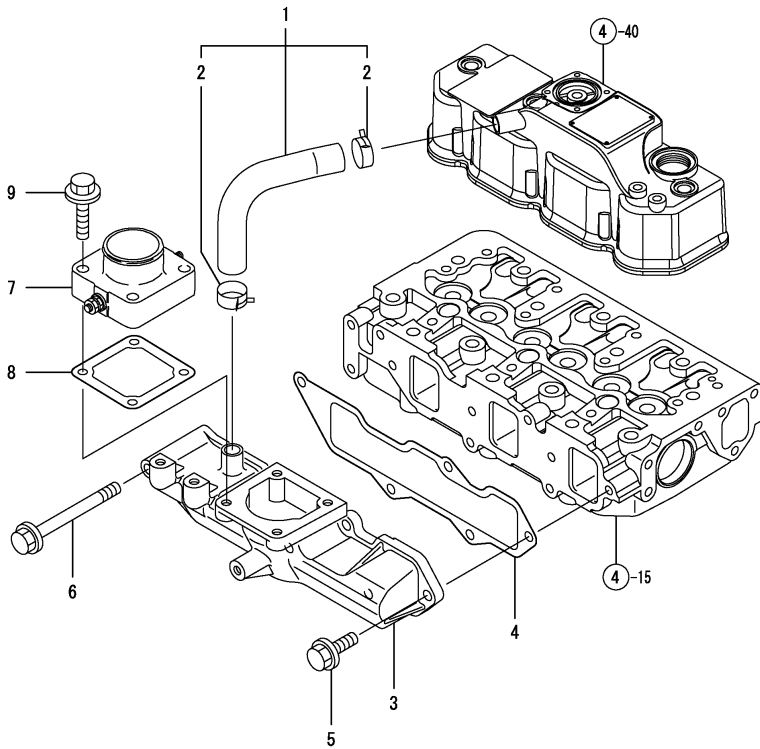
(B)=

(C)=

(D)=

(E)=

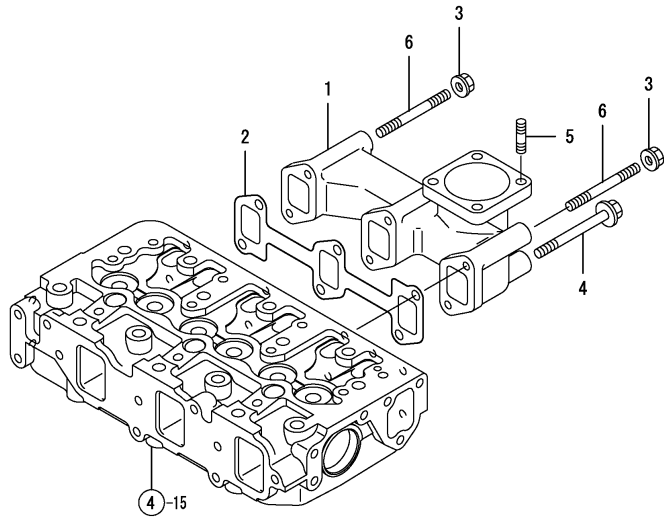
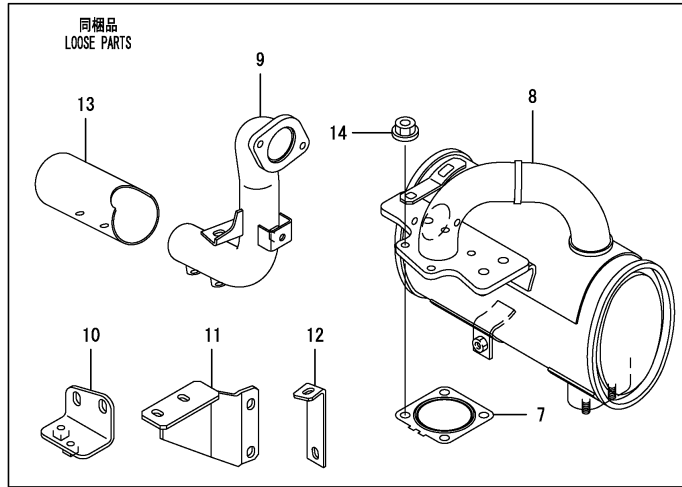
(F)=



REF.	LEV.	PARTS NO.	DESCRIPTION	Q'TY						I	R
				(A)	(B)	(C)	(D)	(E)	(F)		
1	1	129005-03080	PIPE, BREATHER	1							
2	2	129410-03990	CLAMP 22	2							
3	1	129005-12101	MANIFOLD, INTAKE	1							
4	1	129001-12110	GASKET,INT. MANIFOLD	1							
5	1	26106-080202	BOLT M 8X 20 PLATED	4							
6	1	26106-080802	BOLT M 8X 80 PLATED	1							
7	1	129120-77502	HEATER, AIR	1							
8	1	129150-77511	GASKET, (NON-ASB.)	1							
9	1	26106-080352	BOLT M 8X 35 PLATED	4							

Remarks
 (REMARKS)"EFFECTIVE MACHINE NO." OF
 ENGINE IS INDICATED ON THE
 ENGINE LABEL WHICH IS SHOWN
 IN FIG.4.

Fig.6. EXHAUST MANIFOLD & SILENCER



0CNP4-G73200 6. EXHAUST MANIFOLD & SILENCER

(A)=3TNV88-XRFM

(B)=

(C)=

(D)=

(E)=

(F)=

REF.	LEV.	PARTS NO.	DESCRIPTION	QTY						I	R
				(A)	(B)	(C)	(D)	(E)	(F)		
1	1	171350-13100	MANIFOLD, EXHAUST	1							
2	1	129150-13110	GASKET, EXH.MANIFOLD	1							
3	1	26306-080002	NUT	2							
4	1	123900-13630	BOLT 8X80	4							
5	1	119131-18320	BOLT M 8X 22	4							
6	1	123900-13610	STUD BOLT M 8X 80	2							
7	1	129004-13200	GASKET, SILENCER	1							
8	1	129261-13500	SILENCER	1							
9	1	129261-13650	DUCT, EXHAUST	1							
10	1	129261-13660	STAY, DUCT(EXH	1							
11	1	129261-13671	STAY, SILENCER	1							
12	1	129261-13681	SUPPORT, DUCT	1							
13	1	129261-13690	COVER,EXHAUST	1							
14	1	26306-080002	NUT	4							

Remarks
 (REMARKS)"EFFECTIVE MACHINE NO." OF
 ENGINE IS INDICATED ON THE
 ENGINE LABEL WHICH IS SHOWN
 IN FIG.4.

Fig.7. CAMSHAFT & DRIVING GEAR

(A)=3TNV88-XRFM

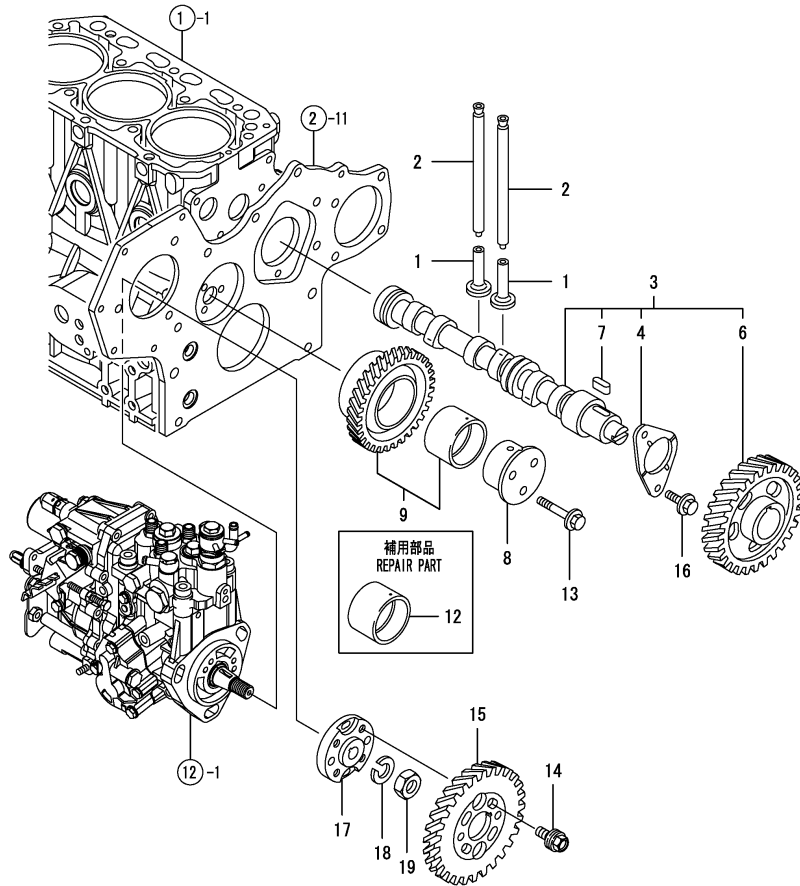
(B)=

(C)=

(D)=

(E)=

(F)=



REF.	LEV.	PARTS NO.	DESCRIPTION	QTY						I	R
				(A)	(B)	(C)	(D)	(E)	(F)		
1	1	129150-14200	TAPPET	6							
2	1	129150-14400	ROD, PUSH	6							
3	1	129129-14580	CAMSHAFT ASSY	1							
4	2	129150-02450	METAL,THRUST(CAM	1							
6	2	129150-14101	GEAR, CAMSHAFT	1							
7	2	22512-070140	KEY 7X 14	1							
8	1	119802-25051	SHAFT, IDLE GEAR	1							
9	1	119802-25101	GEAR ASSY, IDLE	1							
12	1	119802-25071	BUSH, IDLE GEAR	1							1
13	1	26106-080402	BOLT M 8X 40 PLATED	3							
14	1	129150-25301	BOLT,FI-P	4							
15	1	119802-25901	GEAR, PUMP	1							
16	1	26106-080142	BOLT 8X 14 PLATED	2							
17	1	158552-51151	FLANGE	1							
18	1	22217-140000	SPRING WASHER 14	1							
19	1	26776-140002	LOCK NUT M14 PLATED	1							

Remarks
 (1) REPAIR PART.
 (REMARKS)"EFFECTIVE MACHINE NO." OF
 ENGINE IS INDICATED ON THE
 ENGINE LABEL WHICH IS SHOWN
 IN FIG.4.

Fig.8. CRANKSHAFT & PISTON

(A)=3TNV88-XRFM

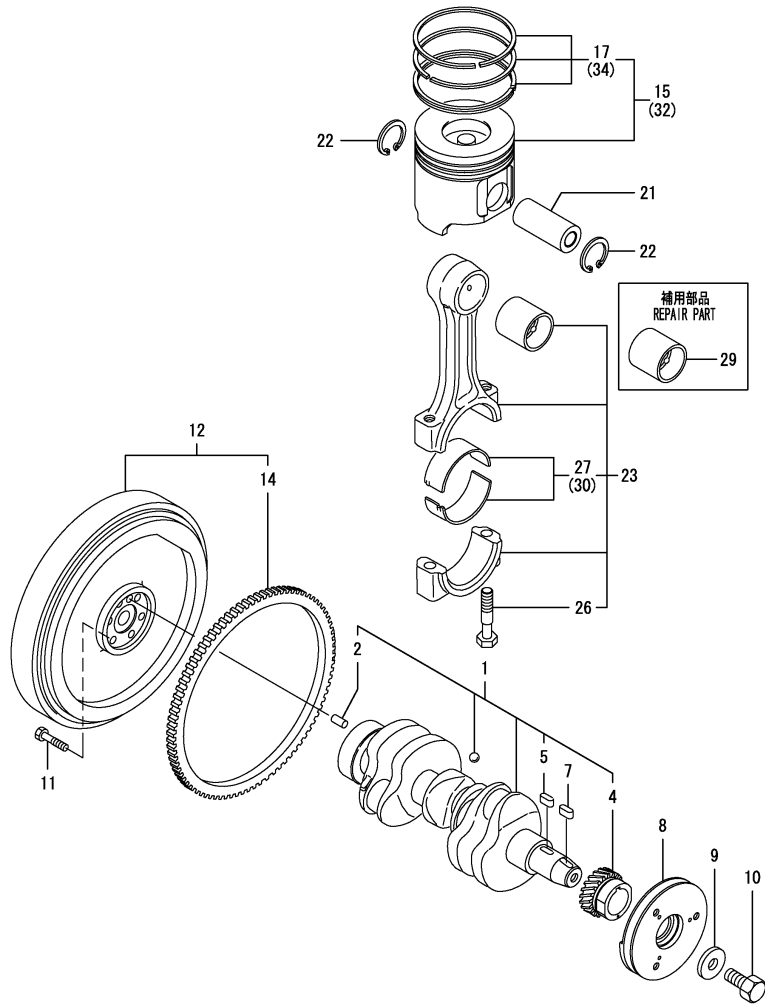
(B)=

(C)=

(D)=

(E)=

(F)=



REF.	LEV.	PARTS NO.	DESCRIPTION	QTY						I	R
				(A)	(B)	(C)	(D)	(E)	(F)		
1	1	129004-21002	CRANKSHAFT ASSY	1							
2	2	129100-01580	PARALLEL PIN 8X16	1							
4	2	119802-21202	GEAR, CRANKSHAFT	1							
5	2	22512-070140	KEY 7X 14	1							
7	1	22512-070140	KEY 7X 14	1							
8	1	129261-21650	V-PULLEY, CRANKSHAFT	1							
9	1	129795-21661	WASHER	1							
10	1	121850-21680	BOLT, V-PULLEY	1							
11	1	121111-21501	BOLT, FLYWHEEL	6							
12	1	171350-21590	FLYWHEEL ASSY	1							
14	2	124550-21600	RING GEAR	1							
15	1	129005-22080	PISTON ASSY	3							
17	2	129005-22500	RING SET, PISTON	3							
21	1	129202-22300	PIN, PISTON(D26,L70)	3							
22	1	22252-000260	CIRCLIP 26	6							
23	1	729402-23100	ROD ASSY, CONNECTING	3							
26	2	121550-23200	BOLT, CONNECTING ROD	6							
27	2	129150-23601	METAL, CRANKPIN	3							
29	1	129100-23910	BUSH, PISTON PIN	3							1
30	1	129150-23611	METAL.PIN US=0.25	3							2
32	1	129005-22900	PISTON W/RING OS=.25	3							3
34	2	129005-22950	RING SET O.S=0.25	3							3

Remarks
 (1) REPAIR PART.
 (2) UNDER-SIZE(U.S=0.25)PART.
 (3) OVER-SIZE(O.S=0.25)PART.
 (REMARKS)"EFFECTIVE MACHINE NO." OF ENGINE IS INDICATED ON THE ENGINE LABEL WHICH IS SHOWN IN FIG.4.

Fig.9. HYDRAULIC PUMP

(A)=3TNV88-XRFM

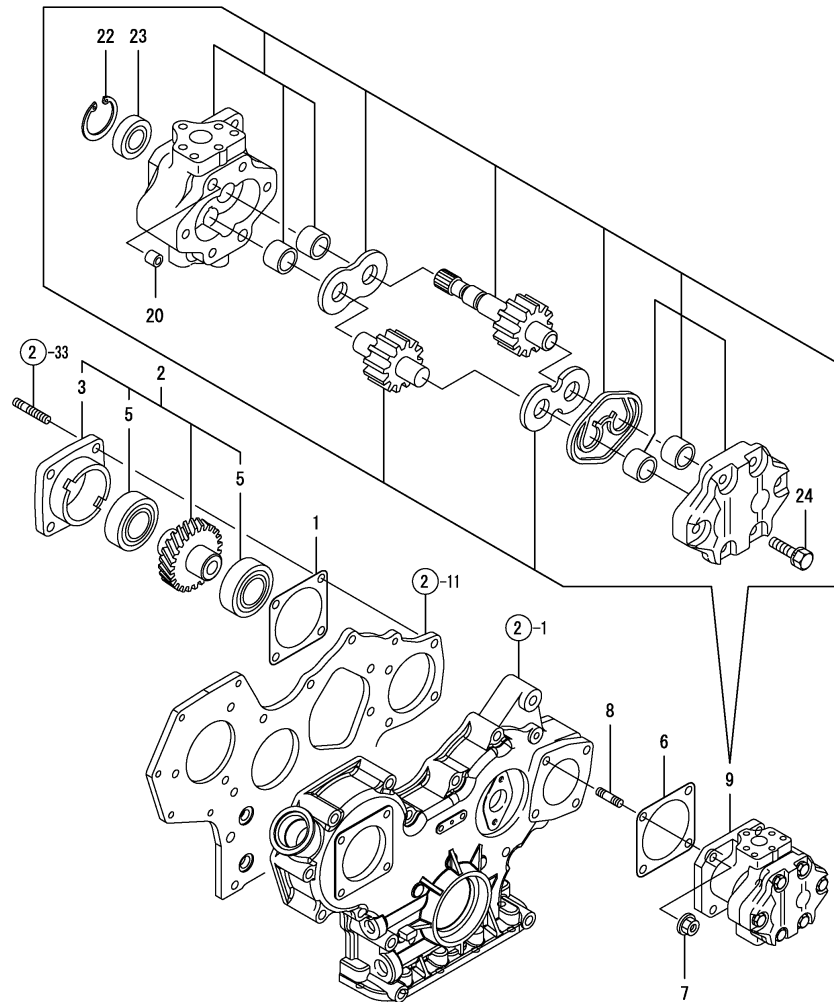
(B)=

(C)=

(D)=

(E)=

(F)=



REF.	LEV.	PARTS NO.	DESCRIPTION	QTY						I	R
				(A)	(B)	(C)	(D)	(E)	(F)		
1	1	129150-01881	GASKET, (NON ASB.)	1							
2	1	129150-26000	DRIVING SET, HO-PUMP	1							
3	2	129150-26050	BRACKET, HO-P	1							
5	2	24105-060064	BALL BEARING	2							
6	1	124240-01883	GASKET, (NON-ASB.)	1							
7	1	26306-080002	NUT	4							
8	1	26216-080202	STUD M 8X 20 PLATED	4							
9	1	119653-26013	PUMP, HYDRAULIC	1							
20	2	194521-41570	PIN 11X7	2							
22	2	22252-000320	CIRCLIP 32	1							
23	2	24421-153207	SEAL TC15 32 07, OIL	1							
24	2	26016-080352	BOLT M 8X 35	6							

Remarks
 (REMARKS)"EFFECTIVE MACHINE NO." OF
 ENGINE IS INDICATED ON THE
 ENGINE LABEL WHICH IS SHOWN
 IN FIG.4.

Fig.10. LUB.OIL SYSTEM

(A)=3TNV88-XRFM

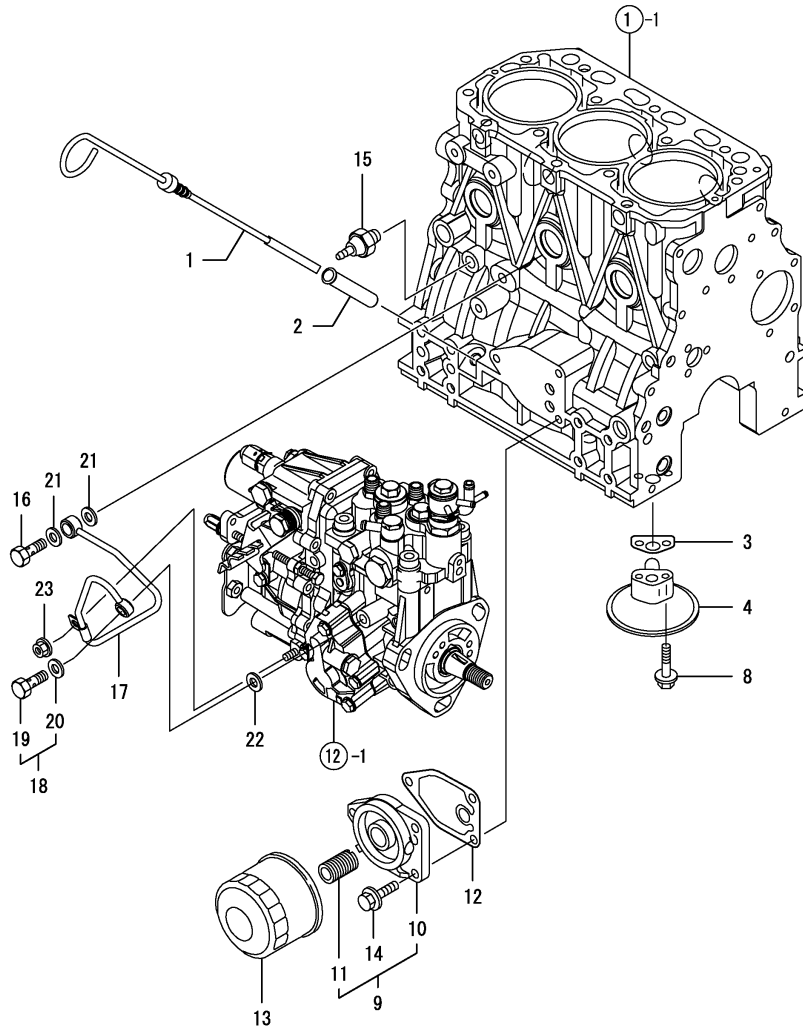
(B)=

(C)=

(D)=

(E)=

(F)=



REF.	LEV.	PARTS NO.	DESCRIPTION	QTY						I	R
				(A)	(B)	(C)	(D)	(E)	(F)		
1	1	129005-34802	DIPSTICK, LUB.OIL	1							
2	1	121520-34810	GUIDE, DIPSTICK	1							
3	1	129150-35042	GASKET, (NON-ASB.)	1							
4	1	129163-35090	PIPE ASSY, OIL INLET	1							
8	1	26106-080352	BOLT M 8X 35 PLATED	2							
9	1	119802-35100	BRACKET ASSY, FILTER	1							
10	2	119802-35110	BRACKET, FILTER	1							
11	2	129100-35140	STUD	1							
12	1	129150-35111	GASKET, (NON-ASB.)	1							
13	1	129150-35153	FILTER 80X80L	1							1
14	1	26106-080202	BOLT M 8X 20 PLATED	3							
15	1	114250-39450	SWITCH,(0.5KG)L.O.	1							
16	1	124160-39140	BOLT 10, PIPE JOINT	1							
17	1	119802-39450	PIPE ASSY, LUB. OIL	1							
18	1	129005-59830	BOLT ASSY, JOINT	1							
19	2	23857-030000	JOINT BOLT 3	1							
20	2	22190-080002	SEAL WASHER 8S	1							
21	1	22190-100002	SEAL WASHER 10S	2							
22	1	22190-080002	SEAL WASHER 8S	1							
23	1	26366-060002	NUT M 6	1							

Remarks
(1) REPAIR PART.

Fig.11. COOLING WATER SYSTEM

(A)=3TNV88-XRFM

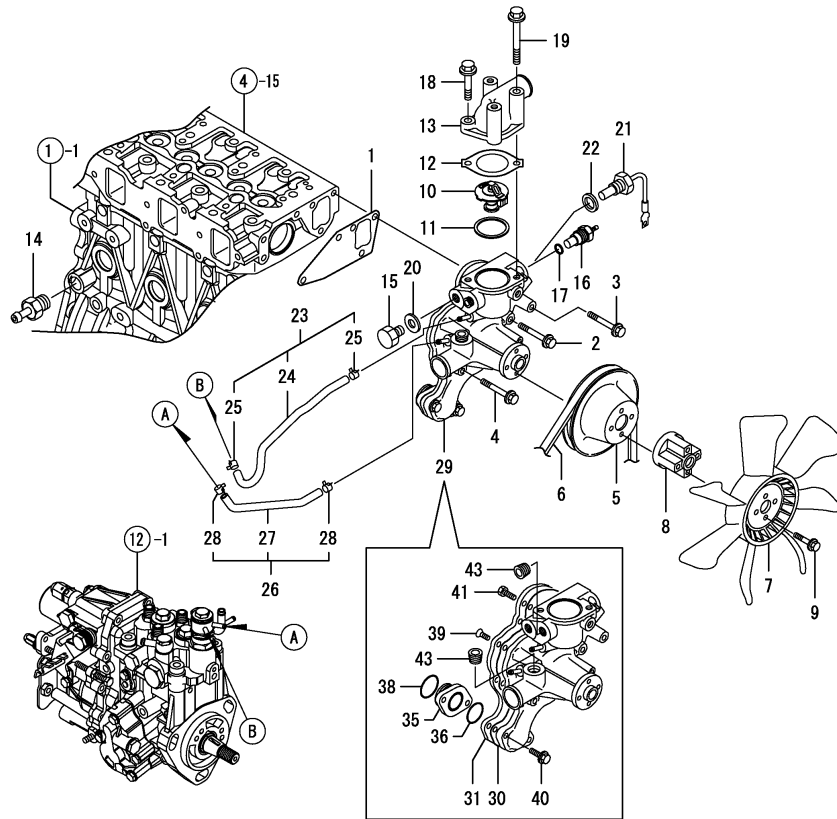
(B)=

(C)=

(D)=

(E)=

(F)=



REF.	LEV.	PARTS NO.	DESCRIPTION	Q'TY						I	R
				(A)	(B)	(C)	(D)	(E)	(F)		
1	1	129486-42050	GASKET	1							
2	1	26106-080552	BOLT M 8X 55 PLATED	2							
3	1	26106-080602	BOLT M 8X 60 PLATED	1							
4	1	26106-080702	BOLT M 8X 70 PLATED	1							
5	1	129120-42350	V-PULLEY, F.W.PUMP	1							
6	1	129052-42290	V-BELT	1							
7	1	121267-44741	FAN, COOLING (D=360)	1							
8	1	119256-44760	SPACER	1							
9	1	26106-060602	BOLT M 6X 60 PLATED	4							
10	1	129155-49801	THERMOSTAT,71	1							
11	1	129150-49811	GASKET, (NON-ASB.)	1							
12	1	129795-49551	GASKET, (NON-ASB.)	1							
13	1	119852-49530	COVER, THERMOSTAT	1							
14	1	121550-49111	JOINT PT1/4	1							
15	1	129054-42450	PLUG, M12X1.5	1							
16	1	124250-49351	THERMOMETER	1							
17	1	129150-49360	GASKET 10	1							
18	1	26106-080282	BOLT M 8X 28 PLATED	1							
19	1	26106-080652	BOLT M 8X 65 PLATED	1							
20	1	22190-120002	SEAL WASHER 12	1							
21	1	129107-44901	SENSOR,HOT WATER	1							
22	1	124465-44950	GASKET 16	1							
23	1	129263-49610	PIPE, COOLING WATER	1							
24	2	129263-49710	PIPE, COOLING WATER	1							
25	2	124722-59050	CLAMP 9	2							
26	1	129263-49620	PIPE, COOLING WATER	1							
27	2	129263-49720	PIPE, COOLING WATER	1							
28	2	124722-59050	CLAMP 9	2							
29	1	129055-42001	PUMP ASSY, WATER	1							
30	2	129457-42050	PACKING	1							
31	2	129457-42121	PLATE	1							
35	2	129150-42301	FLAGNE, C. W. PUMP	1							
36	2	24358-240310	O-RING 5 24031	1							
38	2	129054-42320	O-RING	1							
39	2	26577-060162	SCREW M 6X 16	1							
40	2	26106-060202	BOLT M 6X 20 PLATED	2							
41	2	26116-060162	BOLT 6X16	5							
43	2	23875-030000	PLUG PT3/8,STEEL	2							

Remarks
 (REMARKS)"EFFECTIVE MACHINE NO." OF
 ENGINE IS INDICATED ON THE
 ENGINE LABEL WHICH IS SHOWN
 IN FIG.4.

Fig.12. FUEL INJECTION PUMP

(A)=3TNV88-XRFM

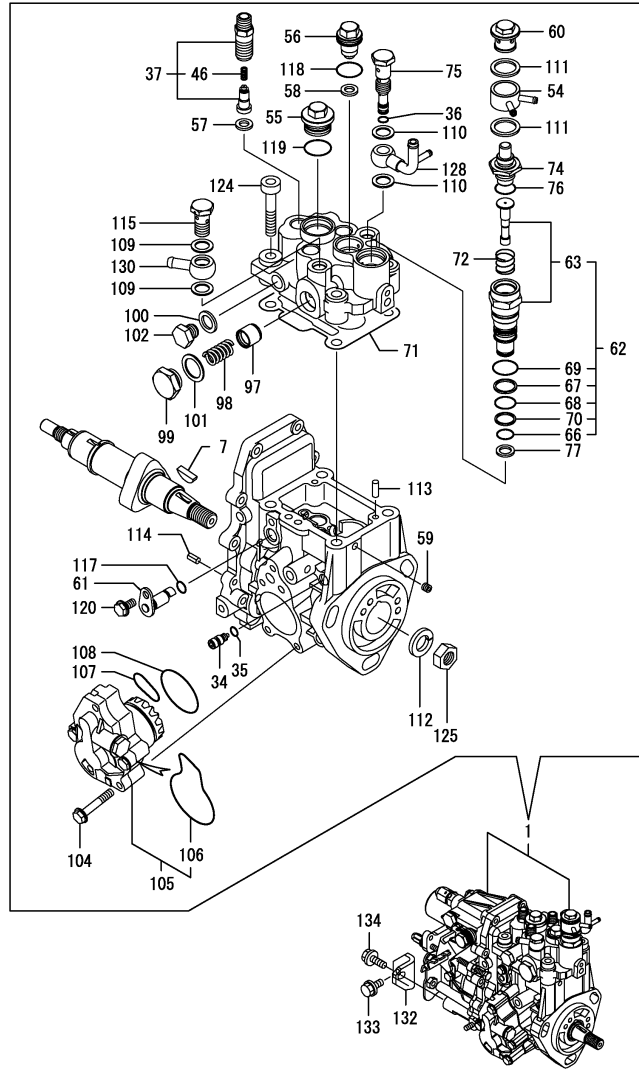
(B)=

(C)=

(D)=

(E)=

(F)=



REF.	LEV.	PARTS NO.	DESCRIPTION	Q'TY						I	R
				(A)	(B)	(C)	(D)	(E)	(F)		
1	1	729261-51340	INJECTION PUMP ASSY	1							1
7	2	119802-51090	KEY,WOODRUFF 4X16	1							
34	2	158600-51270	STOPPER	1							
35	2	158563-51281	O-RING	1							
36	2	158563-51281	O-RING	1							
37	2	129509-51390	SET, DELIVERY	3							
46	3	158563-51330	SPRING	3							
54	2	158553-51551	JOINT, COOLING WATER	1							
55	2	158601-51550	PLUG	1							
56	2	119802-51560	BARREL PLUG	1							
57	2	158552-51571	PK(BARREL PLUG	3							
58	2	158552-51571	PK(BARREL PLUG	1							
59	2	158557-51570	PLUG	1							
60	2	158601-51570	PLUG,WATER PUMP	1							
61	2	158552-51580	LIFTER	1							
62	2	119802-51590	TIMER SET	1							
63	3	119802-51600	TIMER CMP	1							
66	3	158553-51670	O-RING, 1011	1							
67	3	119802-51680	BACKUP RING	1							
68	3	119802-51690	O RING	1							
69	3	24356-010200	PACKING, 1020	1							
70	3	24372-000150	RING, BACKUP T2 P 15	1							
71	2	158552-51600	PACKING, HEAD	1							
72	2	158553-51630	SPRING,TIMER	1							
74	2	158553-51640	ELEMENT, THERMO	1							
75	2	158601-51650	JOINT	1							
76	2	158553-51660	O-RING,P14	1							
77	2	158553-51680	PACKING,TIMER	1							
97	2	158601-51770	PISTON	1							
98	2	158552-51781	SPRING	1							
99	2	158601-51790	PLUG	1							
100	2	22190-120002	SEAL WASHER 12	1							
101	2	22190-180002	SEAL WASHER 18	1							
102	2	23887-120002	PLUG M12,HEX.	1							
104	2	158553-51770	BOLT	4							
105	2	158552-52100	PUMP ASSY,FEED	1							
106	3	158552-52500	O-RING(FEED P INNER	1							
107	2	158552-52310	O-RING	1							
108	2	158552-52400	O-RING 4E S42	1							
109	2	22190-120002	SEAL WASHER 12	2							
110	2	22190-120002	SEAL WASHER 12	2							
111	2	22190-180002	SEAL WASHER 18	2							
112	2	22217-140000	SPRING WASHER 14	1							
113	2	22312-050140	PARALLEL PIN 5X14	2							
114	2	22351-050010	SPRING PIN 5X10	2							
115	2	23857-060000	JOINT BOLT 6,PIPE	1							
117	2	24311-000070	O-RING 1A P-7.0	1							
118	2	24356-010180	O-RING	1							
119	2	24356-010200	PACKING, 1020	1							
120	2	26106-060102	BOLT 6X 10 PLATED	1							
124	2	26450-080452	BOLT M 8X 45	4							

Remarks
 (1) GOVERNOR ASSY(FIG.13) IS INCORPORATED IN THIS FOP.CMP (REF.NO.1).
 (REMARKS)"EFFECTIVE MACHINE NO." OF ENGINE IS INDICATED ON THE ENGINE LABEL WHICH IS SHOWN IN FIG.4.

Fig.12. FUEL INJECTION PUMP

(A)=3TNV88-XRFM

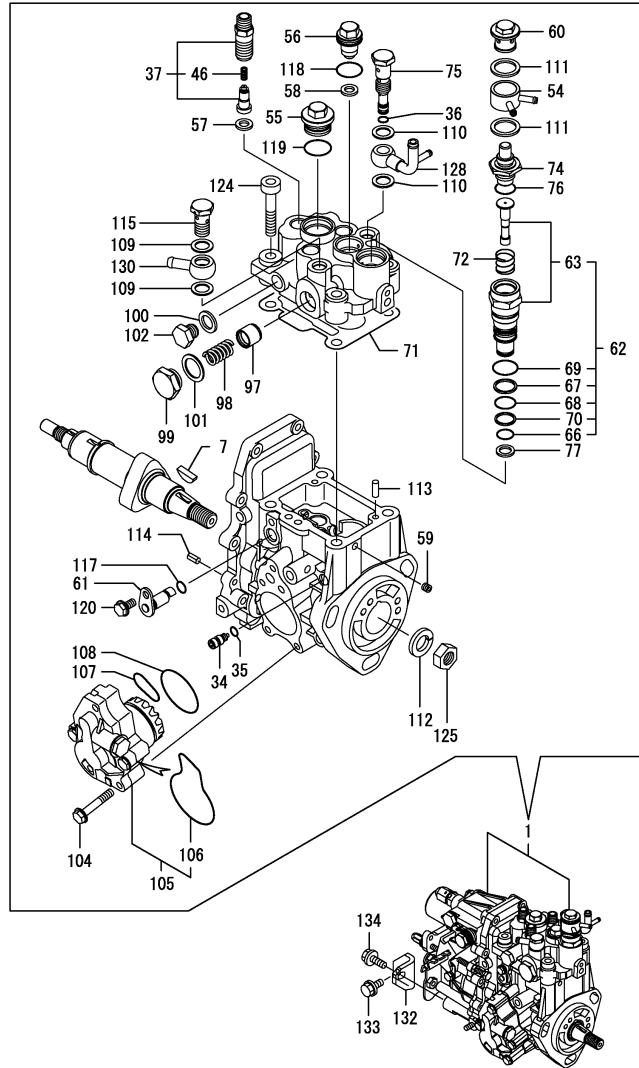
(B)=

(C)=

(D)=

(E)=

(F)=



REF.	LEV.	PARTS NO.	DESCRIPTION	QTY						I	R
				(A)	(B)	(C)	(D)	(E)	(F)		
125	2	26776-140002	LOCK NUT M14 PLATED	1							
128	2	158552-51670	JOINT	1							
130	2	129916-59020	JOINT 12, PIPE	1							
132	1	119802-51250	BRACKET, PUMP	1							
133	1	26106-080162	BOLT M 8X 16 PLATED	1							
134	1	26106-080202	BOLT M 8X 20 PLATED	1							

Remarks
 (1) GOVERNOR ASSY(FIG.13) IS INCORPORATED IN THIS FOP.CMP (REF.NO.1).
 (REMARKS)"EFFECTIVE MACHINE NO." OF ENGINE IS INDICATED ON THE ENGINE LABEL WHICH IS SHOWN IN FIG.4.

Fig.13. GOVERNOR

(A)=3TNV88-XRFM

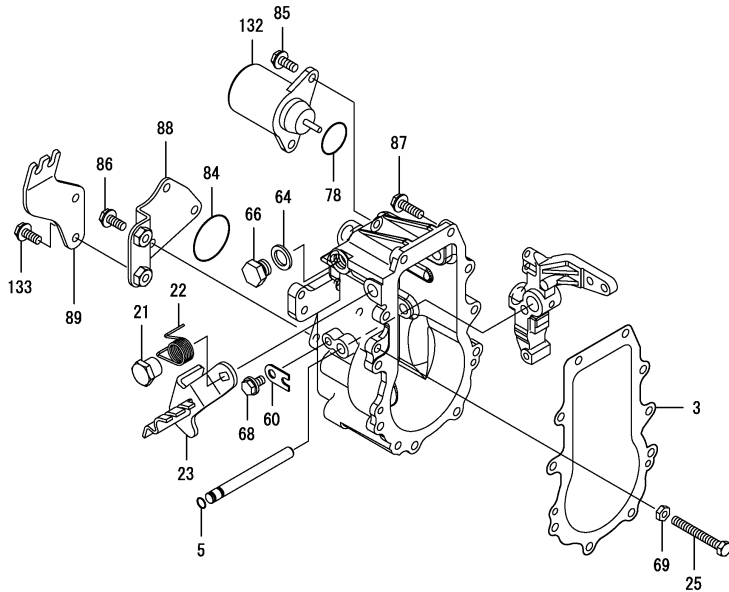
(B)=

(C)=

(D)=

(E)=

(F)=



REF.	LEV.	PARTS NO.	DESCRIPTION	Q'TY						I	R
				(A)	(B)	(C)	(D)	(E)	(F)		
3	2	158553-61050	PACKING, CASE	1							
5	2	129155-51280	O-RING S6	1							
21	2	129255-61410	NUT	1							
22	2	119807-61420	SPRING	1							
23	2	119852-61440	LEVER, REGULATOR	1							
25	2	129155-61460	BOLT, IDLE LIMIT	1							
60	2	119660-61901	RETAINER, SHAFT	1							
64	2	22190-120000	SEAL WASHER 12(BOLT)	1							
66	2	23887-120002	PLUG M12,HEX.	1							
68	2	26106-060102	BOLT 6X 10 PLATED	1							
69	2	26756-060002	LOCK NUT 6	1							
78	2	158552-61900	O-RING	1							
84	2	24341-000360	O-RING 1A S-36.0	1							
85	2	26106-060142	BOLT M 6X 14 PLATED	2							
86	2	26106-060142	BOLT M 6X 14 PLATED	3							
87	2	26106-060202	BOLT M 6X 20 PLATED	10							
88	2	129044-61060	COVER, CASE	1							
89	2	119852-61080	SUPPORT,ACC.WIRE	1							
132	2	119653-77950	SOLENOID, STOP	1							
133	2	26106-060142	BOLT M 6X 14 PLATED	2							

Remarks
 * THIS FIGURE(GOVERNOR ASSY)IS
 INCORPORATED IN THE FUEL INJECTION
 PUMP ASSY(FIG.12).
 (REMARKS)"EFFECTIVE MACHINE NO." OF
 ENGINE IS INDICATED ON THE
 ENGINE LABEL WHICH IS SHOWN
 IN FIG.4.

Fig.14. FUEL INJECTION VALVE

(A)=3TNV88-XRFM

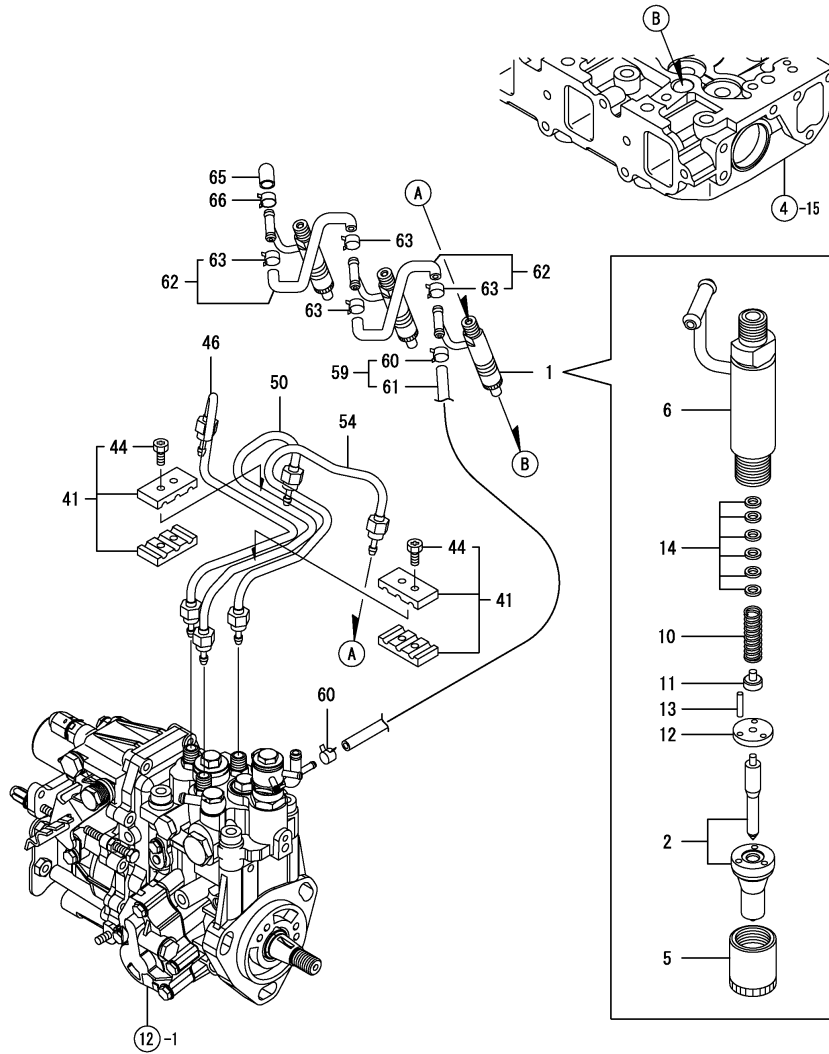
(B)=

(C)=

(D)=

(E)=

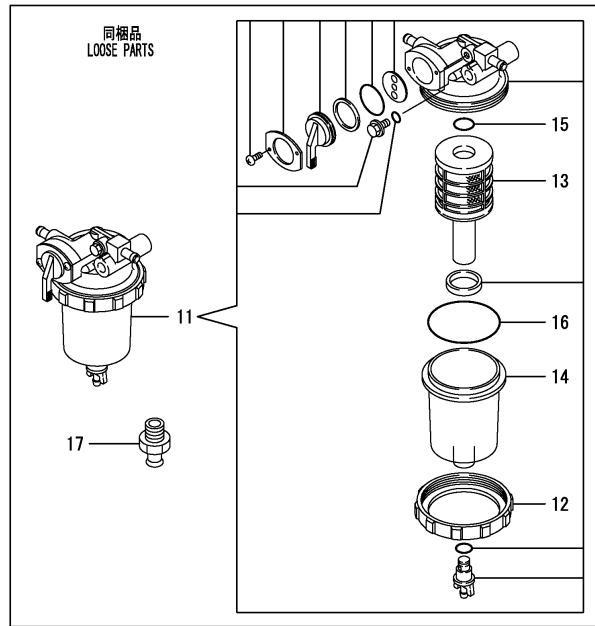
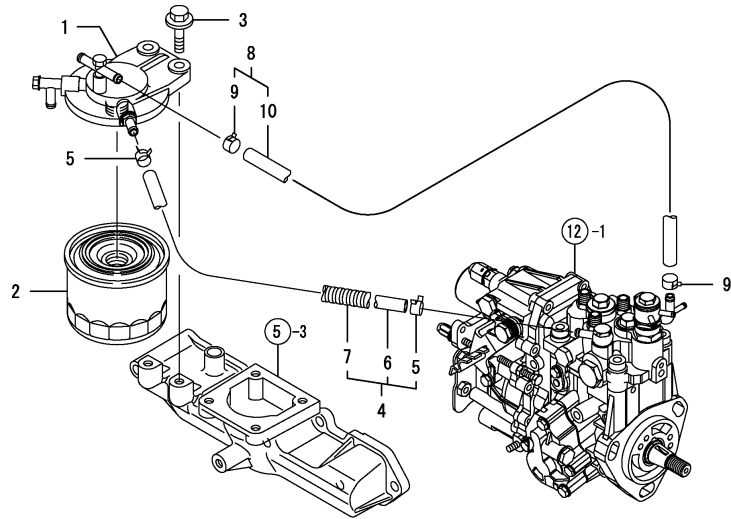
(F)=



REF.	LEV.	PARTS NO.	DESCRIPTION	QTY						I	R
				(A)	(B)	(C)	(D)	(E)	(F)		
1	1	729004-53101	VALVE ASSY, F.INJECT	3							
2	2	129004-53001	NOZZLE CMP	3							
5	2	114250-53080	NUT, NOZZLE CASE	3							
6	2	119802-53100	HOLDER ASSY, NOZZLE	3							
10	2	114250-53120	SPRING, NOZZLE	3							
11	2	114250-53130	SEAT, NOZZLE SPRING	3							
12	2	114250-53140	PLATE, STOP	3							
13	2	114250-53210	PIN	6							
14	2	119803-53400	SHIM SET	3							
41	1	129150-59120	RETAINER, INJ. PIPE	2							
44	2	129150-59131	BOLT M4X14,HEX.SCKT.	4							
46	1	129004-59811	PIPE ASSY, INJECTION	1							
50	1	129004-59821	PIPE ASSY, INJECTION	1							
54	1	129004-59831	PIPE ASSY, INJECTION	1							
59	1	119802-59550	PIPE ASSY, RETURN	1							
60	2	124722-59050	CLAMP 9	2							
61	2	119802-59560	PIPE, FUEL RETURN	1							
62	1	129486-59551	PIPE, FUEL RETURN	2							
63	2	124722-59050	CLAMP 9	4							
65	1	119593-59581	CAP	1							
66	1	124060-77680	CLAMP 10	1							

Remarks
 (REMARKS)"EFFECTIVE MACHINE NO." OF
 ENGINE IS INDICATED ON THE
 ENGINE LABEL WHICH IS SHOWN
 IN FIG.4.

Fig.15. FUEL LINE



Remarks
 (REMARKS)"EFFECTIVE MACHINE NO." OF
 ENGINE IS INDICATED ON THE
 ENGINE LABEL WHICH IS SHOWN
 IN FIG.4.

(A)=3TNV88-XRFM

(B)=

(C)=

(D)=

(E)=

(F)=

REF.	LEV.	PARTS NO.	DESCRIPTION	QTY						I	R
				(A)	(B)	(C)	(D)	(E)	(F)		
1	1	129004-55612	BRACKET,FUEL FILTER	1							
2	1	119802-55801	FILTER, FUEL	1							
3	1	26106-080302	BOLT M 8X 30 PLATED	2							
4	1	129261-59100	PIPE ASSY, FUEL	1							
5	2	124766-59050	CLAMP 12	2							
6	2	129261-59110	FO-T,FOP-FILTER	1							
7	2	129486-59330	PROTECTOR, PIPE 13.2	1							
8	1	129210-59230	PIPE ASSY, FUEL OIL	1							
9	2	124766-59050	CLAMP 12	2							
10	2	129555-59511	PIPE, FUEL	1							
11	1	119802-55700	SEPARATOR ASSY	1							
12	2	129100-55690	RING, RETAINING	1							
13	2	119802-55710	ELEMENT	1							
14	2	119802-55730	CUP ASSY(SERVICE PAR	1							
15	2	24311-000160	O-RING 1A P-16.0	1							
16	2	24321-000650	O-RING 1A G-65.0	1							
17	1	121120-59990	JOINT	1							

Fig.16. STARTING MOTOR

(A)=3TNV88-XRFM

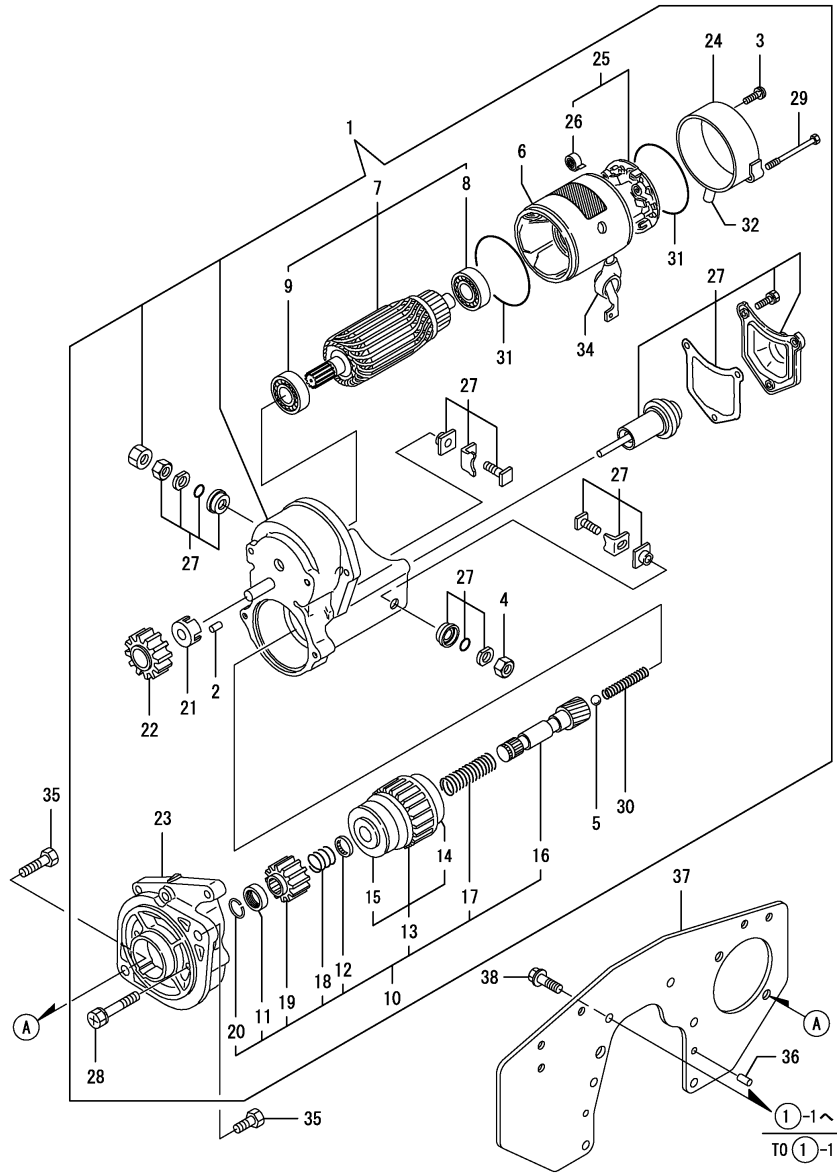
(B)=

(C)=

(D)=

(E)=

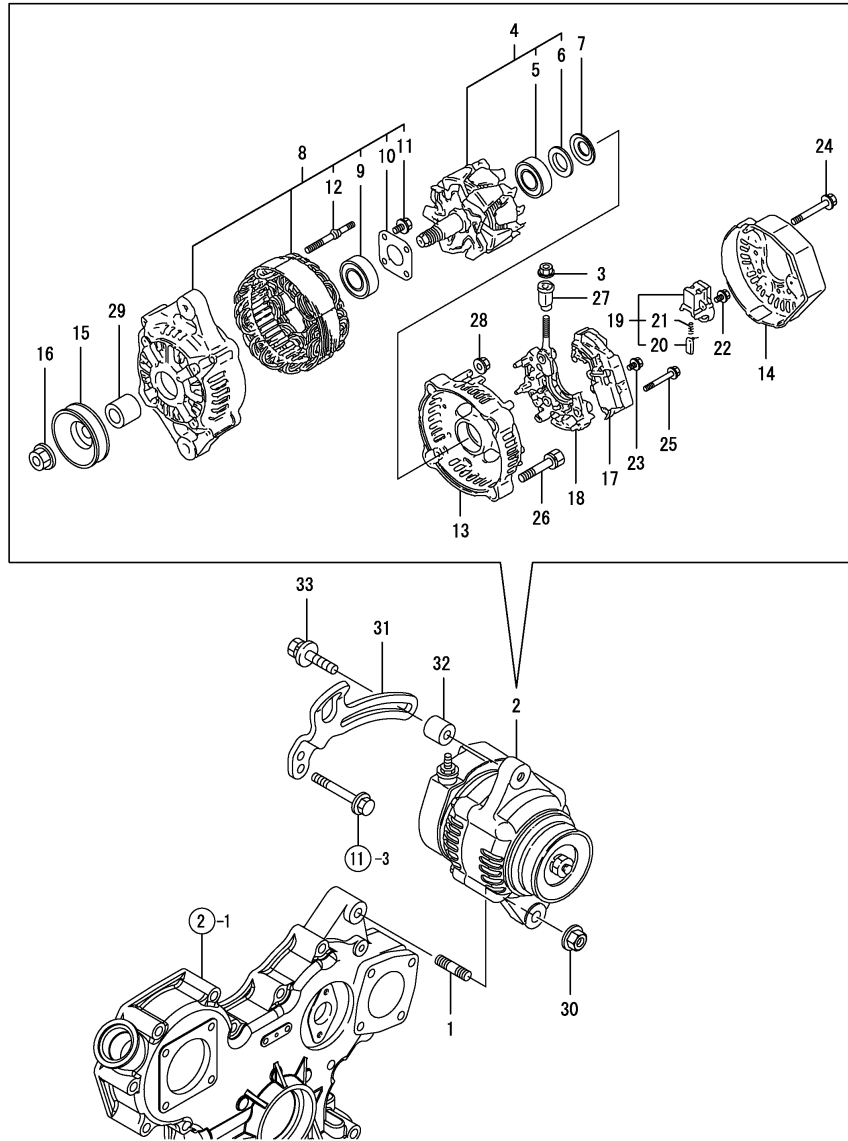
(F)=



REF.	LEV.	PARTS NO.	DESCRIPTION	Q'TY						I	R
				(A)	(B)	(C)	(D)	(E)	(F)		
1	1	129407-77010	STARTER ASSY	1							
2	2	X0283060061	ROLLER	5							
3	2	129129-77460	SCREW	2							
4	2	X9490561370	NUT	1							
5	2	X9491200240	BALL	1							
6	2	129407-77210	YOKE	1							
7	2	129407-77220	ARMATURE ASSY	1							
8	3	129129-77230	BEARING	1							
9	3	129129-77240	BEARING	1							
10	2	129407-77250	STARTER KIT	1							
11	3	X0280210230	NUT	1							
12	3	X0283270140	RETAINER	1							
13	3	129407-77390	CLUTCH,STARTER	1							
14	4	129129-77440	BEARING	1							
15	4	129129-77450	BEARING	1							
16	3	129129-77400	SHAFT	1							
17	3	129129-77410	SPRING, COIL	1							
18	3	129407-77410	SPRING	1							
19	3	129129-77420	PINION	1							
20	3	129129-77430	RING	1							
21	2	129129-77260	RETAINER	1							
22	2	129129-77270	PINION	1							
23	2	129407-77280	HOUSING	1							
24	2	129129-77290	FRAME	1							
25	2	129407-77300	HOLDER ASSY	1							
26	3	X9491730461	SPRING	4							
27	2	129407-77310	SWITCH ASSY	1							
28	2	129129-77320	BOLT	2							
29	2	129407-77330	BOLT,W/WASHER	2							
30	2	129129-77340	SPRING	1							
31	2	129129-77350	O-RING	2							
32	2	129129-77362	COVER	1							
34	2	129129-77380	CAP	1							
35	1	26116-120202	BOLT M12X 20 PLATED	2							
36	1	129100-01580	PARALLEL PIN 8X16	1							
37	1	119853-77051	BRACKET, STARTER	1							
38	1	26206-100202	BOLT M10X20	6							

Remarks
 (REMARKS)"EFFECTIVE MACHINE NO." OF
 ENGINE IS INDICATED ON THE
 ENGINE LABEL WHICH IS SHOWN
 IN FIG.4.

Fig.17. GENERATOR



(A)=3TNV88-XRFM

(B)=

(C)=

(D)=

(E)=

(F)=

REF.	LEV.	PARTS NO.	DESCRIPTION	QTY						I	R
				(A)	(B)	(C)	(D)	(E)	(F)		
1	1	129795-01900	STUD	1							
2	1	119620-77201	GENERATOR	1							
3	2	X9490561001	NUT	1							
4	2	119620-77380	ROTOR ASSY	1							
5	3	123501-79240	BEARING, BALL	1							
6	3	119620-79250	COVER, BEARING	1							
7	2	119620-79360	THRUST WASHER	1							
8	2	119620-77421	FLAME ASSY, DRIVE	1							
9	3	119620-79200	BALL BEARING	1							
10	3	119620-79210	PLATE	1							
11	3	119620-79220	SCREW	4							
12	3	119620-79230	BOLT, STUD	2							
13	2	119620-77440	FLAME ASSY, REAR	1							
14	2	119620-77450	COVER	1							
15	2	119620-77461	PULLEY	1							
16	2	119620-77471	NUT	1							
17	2	119620-77710	REGULATOR ASSY	1							
18	2	119620-79260	HOLDER	1							
19	2	119620-79270	HOLDER, BRUSH	1							
20	3	119620-77480	BRUSH ASSY	2							
21	3	119620-79280	SPRING	2							
22	2	119620-79290	SCREW	6							
23	2	119620-79300	SCREW	1							
24	2	119620-79310	BOLT	3							
25	2	119620-79320	SCREW W/WASHER	2							
26	2	119620-79330	BOLT	2							
27	2	119620-79340	INSULATION BUSH	1							
28	2	119620-79350	NUT	2							
29	2	119620-77490	COLLAR	1							
30	1	26306-100002	NUT	1							
31	1	129107-77330	ADJUSTER,BELT	1							
32	1	124732-77340	SPACER	1							
33	1	129972-77341	BOLT, ADJUSTING	1							

Remarks
 (REMARKS)"EFFECTIVE MACHINE NO." OF
 ENGINE IS INDICATED ON THE
 ENGINE LABEL WHICH IS SHOWN
 IN FIG.4.

Part Number Index

All parts are stipulated in the order of part numbers.

(Depending on the area in which the part is used.)

This index will display the location of the part according to each part number.

PARTS No. INDEX

PARTS No.	Fig.	Ref.No.
105425-01690	3	12
114250-39450	10	15
114250-53080	14	5
114250-53120	14	10
114250-53130	14	11
114250-53140	14	12
114250-53210	14	13
119131-18320	6	5
119256-44760	11	8
119593-59581	14	65
119609-32040	2	16
119620-77201	17	2
119620-77380	17	4
119620-77421	17	8
119620-77440	17	13
119620-77450	17	14
119620-77461	17	15
119620-77471	17	16
119620-77480	17	20
119620-77490	17	29
119620-77710	17	17
119620-79200	17	9
119620-79210	17	10
119620-79220	17	11
119620-79230	17	12
119620-79250	17	6
119620-79260	17	18
119620-79270	17	19
119620-79280	17	21
119620-79290	17	22
119620-79300	17	23
119620-79310	17	24
119620-79320	17	25
119620-79330	17	26
119620-79340	17	27
119620-79350	17	28
119620-79360	17	7
119625-11880	4	32
119626-07900	4	1
119653-26013	9	9
119653-77950	13	132
119660-61901	13	60
119802-01561	2	12
119802-03110	4	43
119802-03121	4	44
119802-03130	4	45
119802-03141	4	46
119802-11260	4	6
119802-11270	4	7
119802-11280	4	8

PARTS No.	Fig.	Ref.No.
119802-11870	4	31
119802-21202	8	4
119802-25051	7	8
119802-25071	7	12
119802-25101	7	9
119802-25901	7	15
119802-32070	2	7
119802-32100	2	6
119802-32111	2	17
119802-32120	2	18
119802-32130	2	19
119802-35100	10	9
119802-35110	10	10
119802-39450	10	17
119802-51090	12	7
119802-51250	12	132
119802-51560	12	56
119802-51590	12	62
119802-51600	12	63
119802-51680	12	67
119802-51690	12	68
119802-53100	14	6
119802-55700	15	11
119802-55710	15	13
119802-55730	15	14
119802-55801	15	2
119802-59550	14	59
119802-59560	14	61
119803-53400	14	14
119807-61420	13	22
119852-49530	11	13
119852-61080	13	89
119852-61440	13	23
119853-77051	16	37
119934-01800	2	5
120130-11860	4	29
120270-54410	4	34
121023-01551	2	27
121111-21501	8	11
121120-59990	15	17
121267-44741	11	7
121400-11340	4	25
121520-34810	10	2
121550-23200	8	26
121550-49111	11	14
121850-21680	8	10
121850-51960	2	20
123501-79240	17	5
123900-13610	6	6
123900-13630	6	4

PARTS No.	Fig.	Ref.No.
124060-01050	1	11
124060-77680	14	66
124160-01751	2	13
	4	39
124160-01910	1	12
		13
124160-11360	4	51
124160-39140	10	16
124240-01871	2	14
		31
124240-01883	2	32
	9	6
124250-49351	11	16
124460-11340	4	26
124465-44950	11	22
124550-21600	8	14
124722-59050	11	25
		28
	14	60
		63
124732-77340	17	32
124766-59050	15	5
		9
129001-01250	1	4
129001-01340	1	32
129001-02931	1	27
129001-12110	5	4
129001-32330	2	10
129001-91841	2	21
129004-01190	1	30
129004-01520	2	11
129004-03010	4	41
129004-11130	4	21
129004-11241	4	3
129004-11251	4	4
129004-11310	4	48
129004-11350	4	40
129004-11650	4	10
129004-11700	4	15
129004-11900	4	33
129004-13200	6	7
129004-21002	8	1
129004-53001	14	2
129004-55612	15	1
129004-59811	14	46
129004-59821	14	50
129004-59831	14	54
129005-03080	5	1
129005-12101	5	3
129005-22080	8	15

PARTS No.	Fig.	Ref.No.
129005-22500	8	17
129005-22900	8	32
129005-22950	8	34
129005-34802	10	1
129005-59830	10	18
129044-61060	13	88
129052-42290	11	6
129054-42320	11	38
129054-42450	11	15
129055-42001	11	29
129100-01580	3	1
	8	2
	16	36
129100-01640	3	2
129100-01730	3	7
129100-11112	4	22
129100-23910	8	29
129100-35140	10	11
129100-55690	15	12
129107-44901	11	21
129107-77330	17	31
129120-42350	11	5
129120-77502	5	7
129129-14580	7	3
129129-77230	16	8
129129-77240	16	9
129129-77260	16	21
129129-77270	16	22
129129-77290	16	24
129129-77320	16	28
129129-77340	16	30
129129-77350	16	31
129129-77362	16	32
129129-77380	16	34
129129-77400	16	16
129129-77410	16	17
129129-77420	16	19
129129-77430	16	20
129129-77440	16	14
129129-77450	16	15
129129-77460	16	3
129150-01200	1	31
129150-01580	2	30
129150-01881	9	1
129150-02020	1	6
129150-02450	7	4
129150-02871	1	33
129150-02931	1	24
129150-02941	1	36
129150-03070	4	42

PARTS No. INDEX

PARTS No.	Fig.	Ref.No.
129150-11230	4	11
129150-11280	4	9
129150-11370	4	14
129150-11750	4	13
129150-11810	4	30
129150-13110	6	2
129150-14101	7	6
129150-14200	7	1
129150-14400	7	2
129150-23601	8	27
129150-23611	8	30
129150-25301	7	14
129150-26000	9	2
129150-26050	9	3
129150-35042	10	3
129150-35111	10	12
129150-35153	10	13
129150-42301	11	35
129150-49360	11	17
129150-49811	11	11
129150-59120	14	41
129150-59131	14	44
129150-77511	5	8
129155-49801	11	10
129155-51280	13	5
129155-61460	13	25
129163-01540	3	11
129163-35090	10	4
129202-22300	8	21
129210-59230	15	8
129255-61410	13	21
129261-13500	6	8
129261-13650	6	9
129261-13660	6	10
129261-13671	6	11
129261-13681	6	12
129261-13690	6	13
129261-21650	8	8
129261-26070	2	33
129261-59100	15	4
129261-59110	15	6
129263-49610	11	23
129263-49620	11	26
129263-49710	11	24
129263-49720	11	27
129407-77010	16	1
129407-77210	16	6
129407-77220	16	7
129407-77250	16	10
129407-77280	16	23

PARTS No.	Fig.	Ref.No.
129407-77300	16	25
129407-77310	16	27
129407-77330	16	29
129407-77390	16	13
129407-77410	16	18
129410-03990	5	2
129418-32320	2	9
129457-42050	11	30
129457-42121	11	31
129486-01670	3	5
129486-42050	11	1
129486-59330	15	7
129486-59551	14	62
129509-51390	12	37
129555-59511	15	10
129795-01780	3	4
129795-01900	17	1
129795-01950	2	15
129795-02412	1	9
129795-11120	4	23
129795-11180	4	24
129795-21661	8	9
129795-49551	11	12
129900-32130	2	8
129916-59020	12	130
129972-77341	17	33
158552-51151	7	17
158552-51571	12	57
		58
158552-51580	12	61
158552-51600	12	71
158552-51670	12	128
158552-51781	12	98
158552-52100	12	105
158552-52310	12	107
158552-52400	12	108
158552-52500	12	106
158552-61900	13	78
158553-51551	12	54
158553-51630	12	72
158553-51640	12	74
158553-51660	12	76
158553-51670	12	66
158553-51680	12	77
158553-51770	12	104
158553-61050	13	3
158557-51570	12	59
158563-51281	12	35
		36
158563-51330	12	46

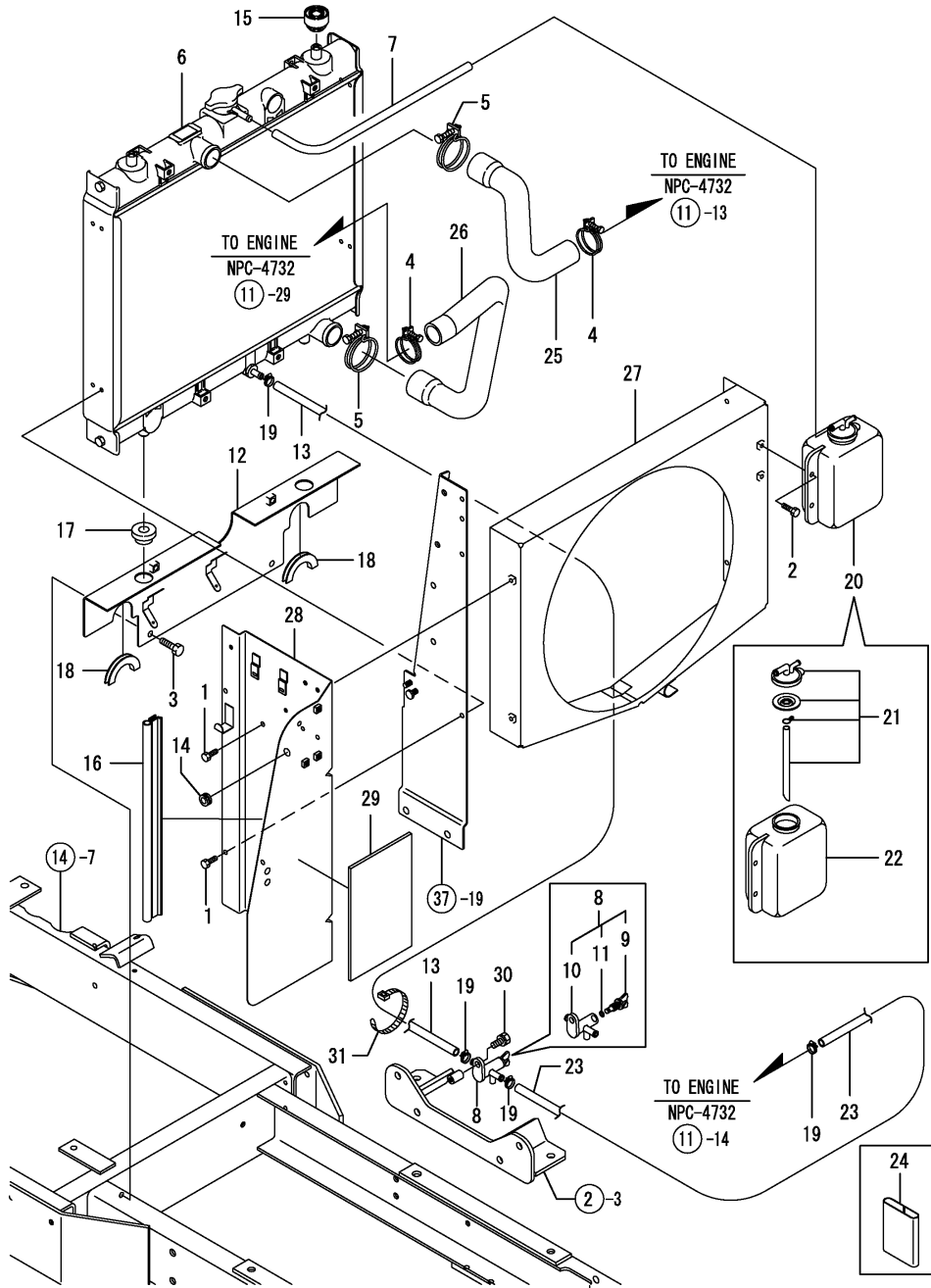
PARTS No.	Fig.	Ref.No.
158600-51270	12	34
158601-51550	12	55
158601-51570	12	60
158601-51650	12	75
158601-51770	12	97
158601-51790	12	99
171051-01921	1	5
171350-13100	6	1
171350-21590	8	12
194521-41570	9	20
729004-53101	14	1
729005-01562	1	1
729235-01500	2	1
729261-51340	12	1
729402-23100	8	23
X0280210230	16	11
X0283060061	16	2
X0283270140	16	12
X9490561001	17	3
X9490561370	16	4
X9491200240	16	5
X9491730461	16	26

PARTS No.	Fig.	Ref.No.
-----------	------	---------



YANMAR CO.,LTD.

Fig.1. ENGINE ACCESSORIES



(A)=GE350

(B)=

(C)=

(D)=

(E)=

(F)=

REF.	LEV.	PARTS NO.	DESCRIPTION	QTY						I	R
				(A)	(B)	(C)	(D)	(E)	(F)		
1	1	1W0108-00612	BOLT	6							
2	1	1W0108-00616	BOLT	2							
3	1	1W0108-00820	BOLT	2							
4	1	1W0671-00038	BAND	2							
5	1	1W0671-00043	HOSE BAND	2							
6	1	1W3101-01090	PL.ASSY..RADIATOR	1							
7	1	1W3101-20260	OVER FLOW PIPE	1							
8	1	1W3101-30290	COCK	1							
9	2	165001-34000	COCK	1							
10	2	165001-34150	PIPE:DRAIN	1							
11	2	24311-000040	O-RING 1A P-4.0	1							
12	1	1W3103-00880	RADIATOR STAY	1							
13	1	1W3607-70990	FUEL PIPE	1							
14	1	1W3981-10240	RUBBER	1							
15	1	1W3981-10501	RUBBER	2							
16	1	1W3981-17270	RUBBER	1							
17	1	1W3981-19670	RUBBER	2							
18	1	1W3981-21160	RUBBER L90	2							
19	1	1W3987-50430	BAND	4							
20	1	121468-44510	SUB-TANK ASSY	1							
21	2	1W3101-10190	CAP	1							
22	2	1W3105-60050	BODY,SUB-TANK	1							
23	1	165000-56780	FUEL PIPE	1							
24	1	165000-71080	RUBBER	1							
25	1	165001-34010	RADIATOR HOSE	1							
26	1	165001-34020	RADIATOR HOSE	1							
27	1	165001-34040	SHROUD	1							
28	1	165001-34110	PLATE	1							
29	1	165001-34840	SPONGE	1							
30	1	26013-080162	BOLT W/WASHER M8X16	1							
31	1	29622-250001	BAND RF 250	1							

Fig.2. ENGINE SUPPORT

0CNP5-G10200 2. ENGINE SUPPORT

(A)=GE350

(B)=

(C)=

(D)=

(E)=

(F)=

REF.	LEV.	PARTS NO.	DESCRIPTION	QTY						I	R
				(A)	(B)	(C)	(D)	(E)	(F)		
1	1	1W3981-20790	RUBBER	4							
2	1	165001-34130	ENGINE SUPPORT	1							
3	1	165001-34140	ENGINE SUPPORT	1							
4	1	22217-100000	SPRING WASHER 10	4							
5	1	26013-100252	BOLT W/WASHER M10X25	8							
6	1	26717-100002	NUT M10	4							

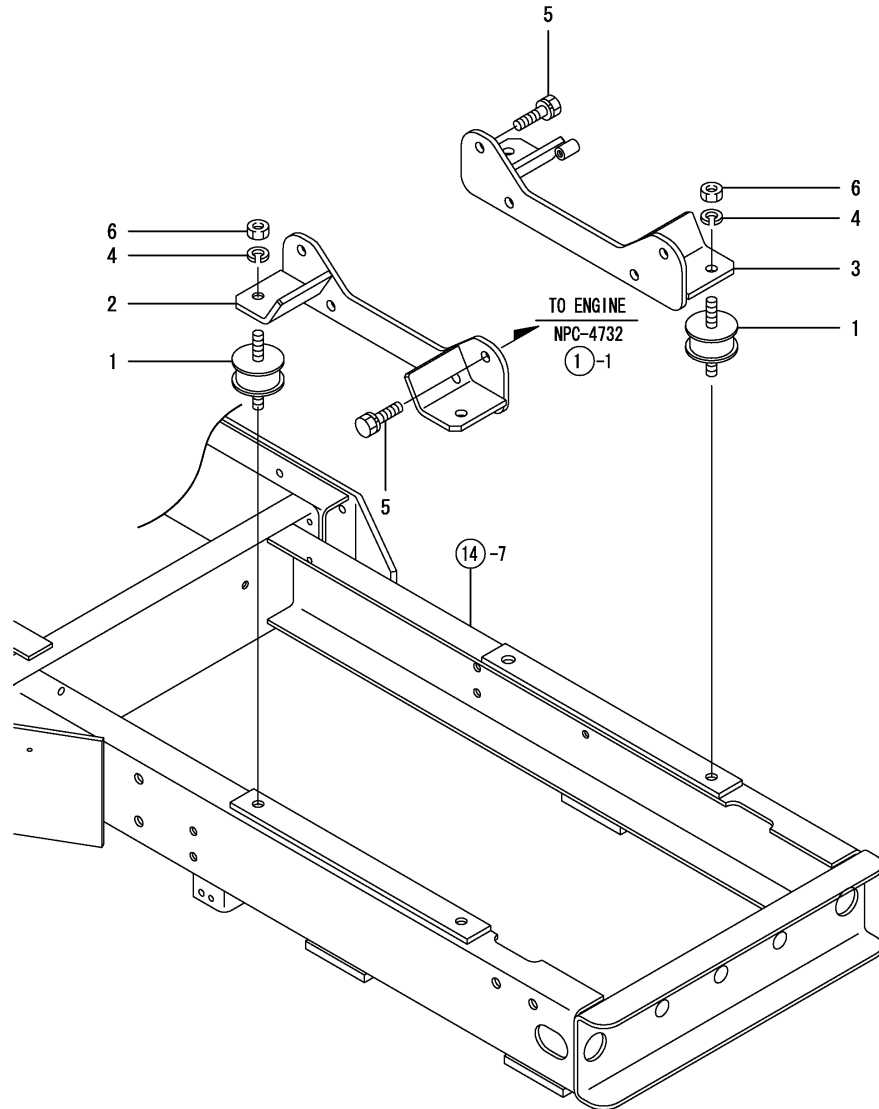


Fig.3. ACCEL LEVER

0CNP5-G10200 3. ACCEL LEVER

(A)=GE350
(B)=
(C)=

(D)=
(E)=
(F)=

REF.	LEV.	PARTS NO.	DESCRIPTION	QTY						I	R
				(A)	(B)	(C)	(D)	(E)	(F)		
1	1	1W0201-00008	NUT	2							
2	1	1W0215-00008	NUT	2							
3	1	1W0301-02016	COTTER PIN	1							
4	1	1W3121-00931	ACCEL LEVER	1							
5	1	1W3981-14451	RUBBER	1							
6	1	1W3981-80921	GRIP	1							
7	1	1W3982-12210	SPRING	1							
8	1	1W3987-50220	BAND	1							
9	1	165001-27610	BRACKET	1							
10	1	165001-28250	COVER	1							
11	1	165001-34160	WIRE ASSY	1							
12	1	22137-060000	WASHER 6, POLISHED	1							
13	1	22272-000040	CIRCLIP E- 4	1							
14	1	26022-050122	SCREW M 5X 12	1							

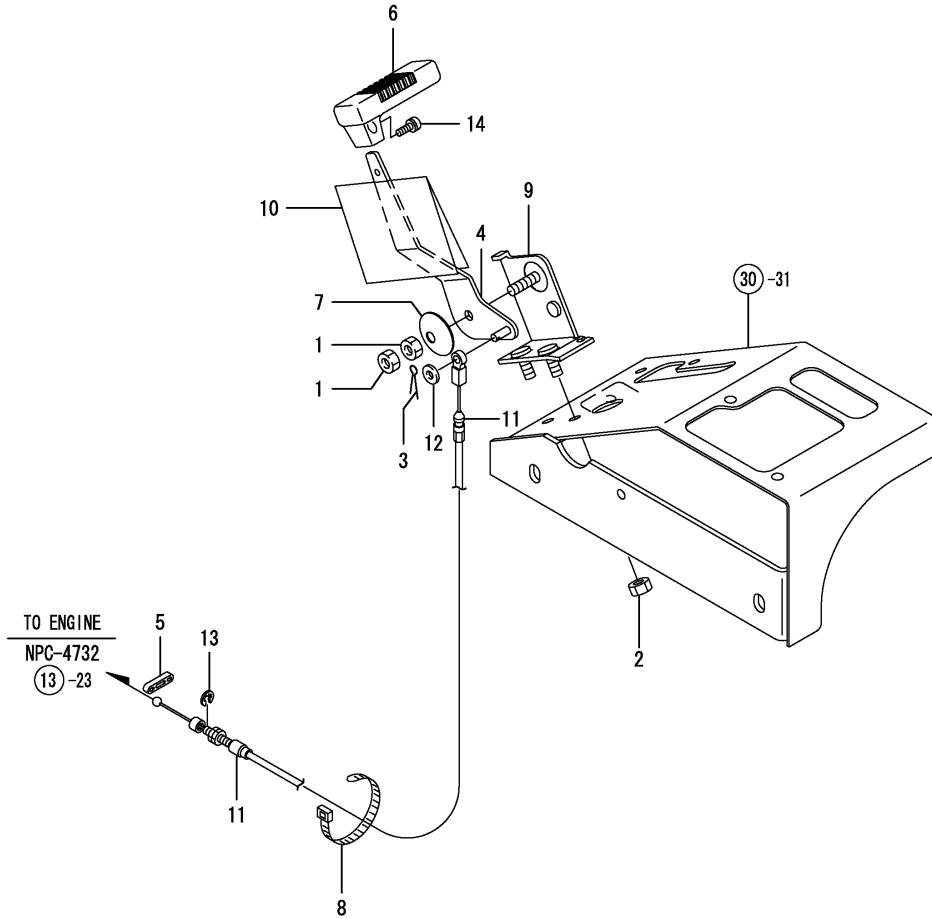


Fig.4. EXHAUST

OCNP5-G10200 4. EXHAUST

(A)=GE350
(B)=
(C)=

(D)=
(E)=
(F)=

REF.	LEV.	PARTS NO.	DESCRIPTION	QTY						I	R
				(A)	(B)	(C)	(D)	(E)	(F)		
1	1	1W0209-10008	NUT	4							
2	1	1W0215-00008	NUT	2							
3	1	165000-53540	GASKET	1							
4	1	165001-34610	COVER	1							
5	1	22217-080000	WASHER, 8	4							
6	1	26013-080122	BOLT M 8X 12	2							
7	1	26013-080142	BOLT M 8X 14	2							
8	1	26013-080162	BOLT W/WASHER M8X16	1							
9	1	26013-080162	BOLT W/WASHER M8X16	1							
10	1	26013-080252	BOLT M 8X 25	2							
11	1	26013-100162	BOLT M10X 16	3							

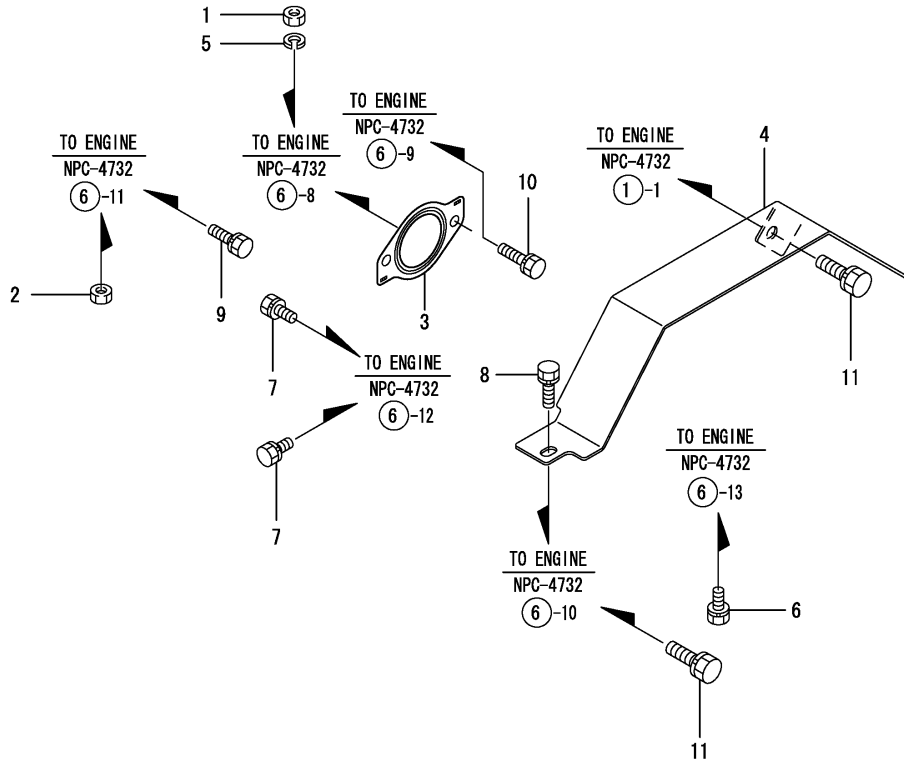


Fig.5. TANK, FUEL OIL

(A)=GE350

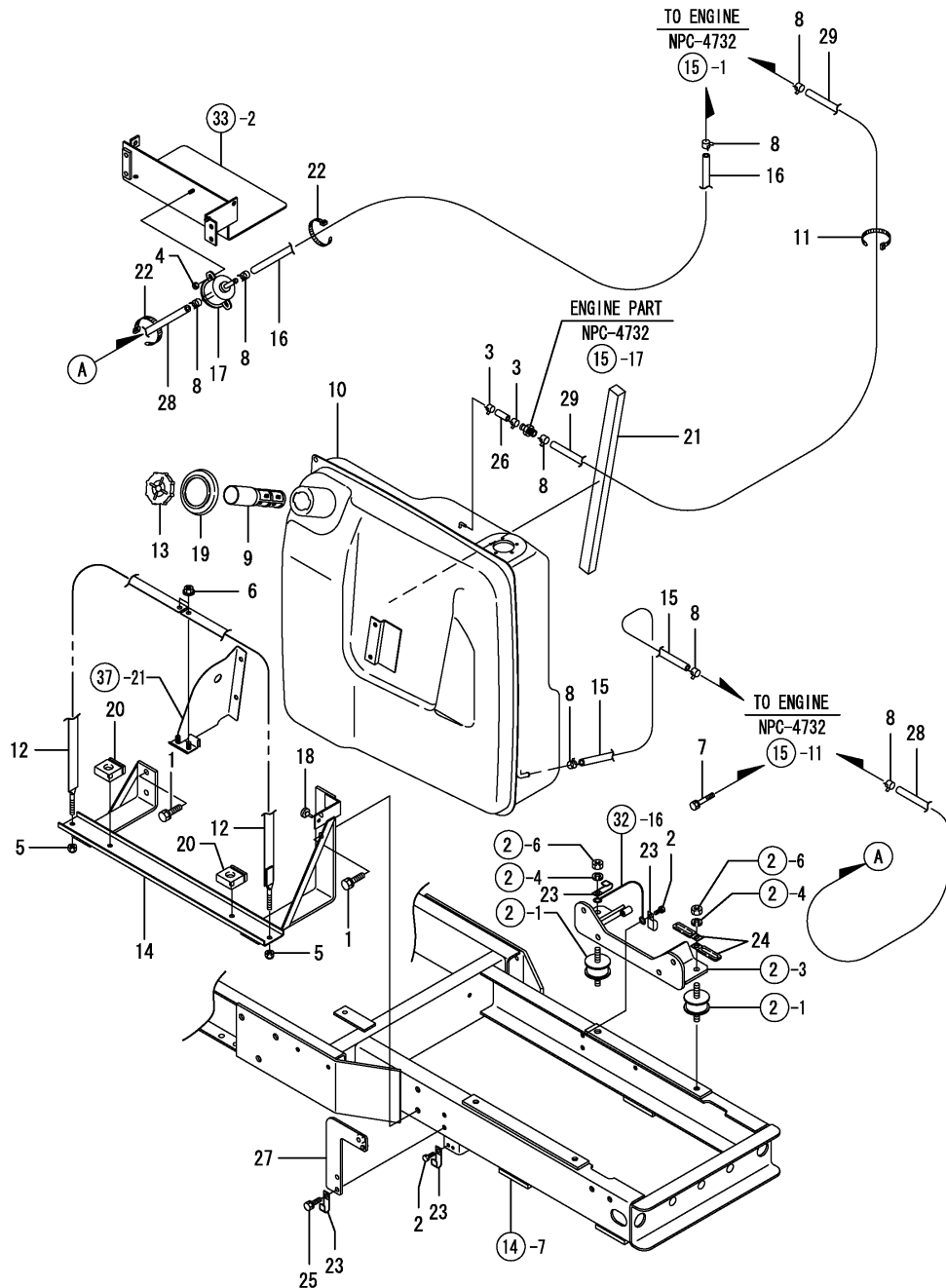
(B)=

(C)=

(D)=

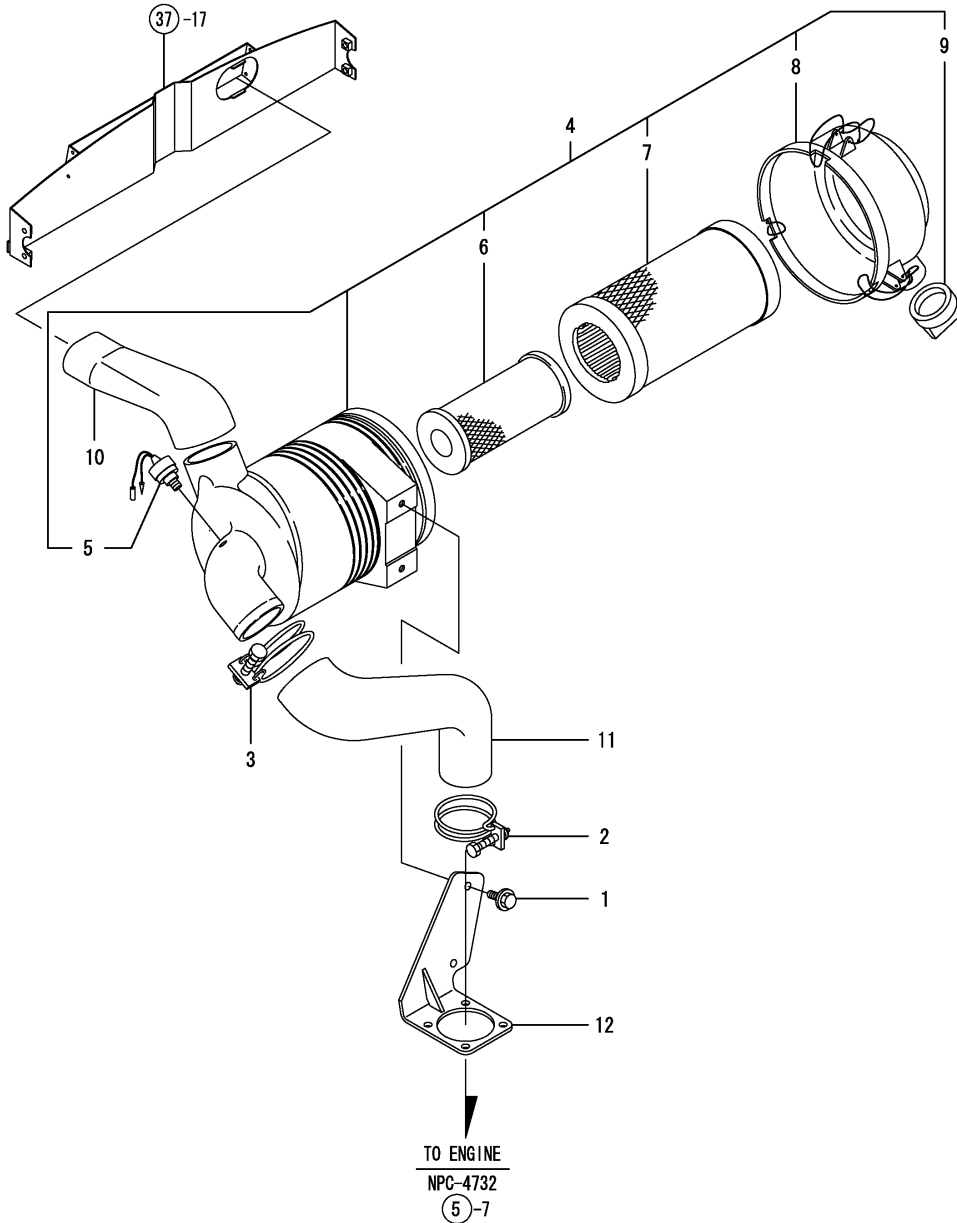
(E)=

(F)=



REF.	LEV.	PARTS NO.	DESCRIPTION	QTY						I	R
				(A)	(B)	(C)	(D)	(E)	(F)		
1	1	26013-100252	BOLT W/WASHER M10X25	4							
2	1	1W0108-00820	BOLT	2							
3	1	1W0672-00078	HOSE CLIP	2							
4	1	1W0213-00006	NUT	2							
5	1	1W0223-00008	U-NUT	2							
6	1	26367-080002	NUT, 8	2							
7	1	1W0115-10870	BOLT	1							
8	1	1W0672-00130	CLIP	8							
9	1	1W1303-40110	FILTER,FUEL	1							
10	1	1W3601-02220	PL.ASSY.,TANK	1							
11	1	29622-250001	BAND RF 250	3							
12	1	1W3602-00670	TANK BAND	2							
13	1	1W3603-00080	FILLER CAP	1							
14	1	1W3605-01350	HOLDER;TANK	1							
15	1	1W3607-70990	FUEL PIPE	1							
16	1	1W3607-71360	FUEL PIPE	1							
17	1	1W3608-00040	FUEL PUMP	1							
18	1	1W3981-10110	RUBBER	1							
19	1	1W3981-13570	RUBBER	1							
20	1	1W3981-15530	RUBBER	2							
21	1	1W3981-30310	SPONGE	1							
22	1	1W3987-50220	BAND	2							
23	1	1W3991-13620	CLAMP	5							
24	1	1W3991-16350	CLAMP	2							
25	1	26013-080202	BOLT W/WASHER M8X20	2							
26	1	165001-14820	FUEL PIPE	1							
27	1	165001-34660	FILTER SUPPORT	1							
28	1	165001-43520	FUEL PIPE	1							
29	1	165001-34680	FUEL PIPE	1							

Fig.6. AIR CLEANER



OCNP5-G10200 6. AIR CLEANER

(A)=GE350
(B)=
(C)=

(D)=
(E)=
(F)=

REF.	LEV.	PARTS NO.	DESCRIPTION	QTY						I	R
				(A)	(B)	(C)	(D)	(E)	(F)		
1	1	1W0108-00816	BOLT	2							
2	1	1W0671-00065	CLAMP	1							
3	1	1W0671-00075	CLAMP	1							
4	1	165001-34170	AIR CLEANER ASSY	1							
5	2	1W3145-31182	SENSOR	1							
6	2	165001-34180	AIR ELEMENT:INNER	1							
7	2	165001-34190	AIR ELEMENT:OUTER	1							
8	2	165001-34200	COVER ASSY	1							
9	2	165001-34210	VACUATOR VALVE	1							
10	1	165001-34220	AIR CLEANER HOSE	1							
11	1	165001-34230	AIR CLEANER HOSE	1							
12	1	165001-34240	HOLDER	1							

Fig.7. FRONT WHEEL TIRE

(A)=GE350

(B)=

(C)=

(D)=

(E)=

(F)=

REF.	LEV.	PARTS NO.	DESCRIPTION	QTY						I	R
				(A)	(B)	(C)	(D)	(E)	(F)		
1	1	165001-34470	FRONT WHEEL ASSY	2							
2	2	1W3361-03460	DISC WHEEL	2							
3	2	1W3361-50020	VALVE ASSY ;TR-415	2							
4	3	1W3361-70010	VALVE	2							
5	3	1W3361-80030	CAP	2							
6	2	165001-34490	TIRE	2							

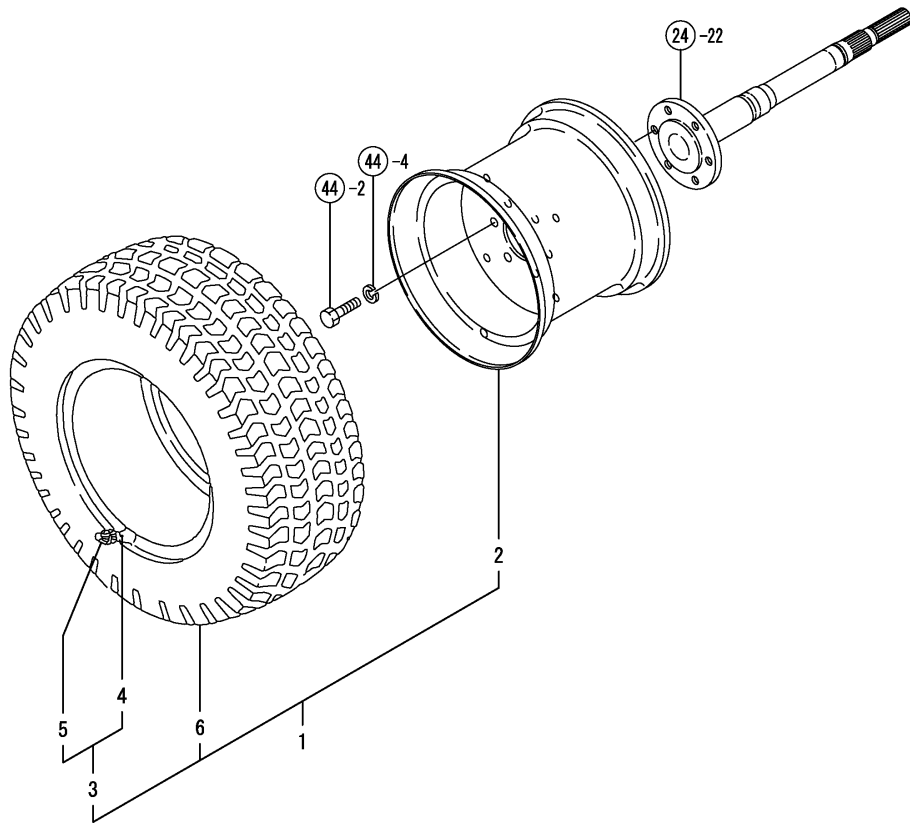
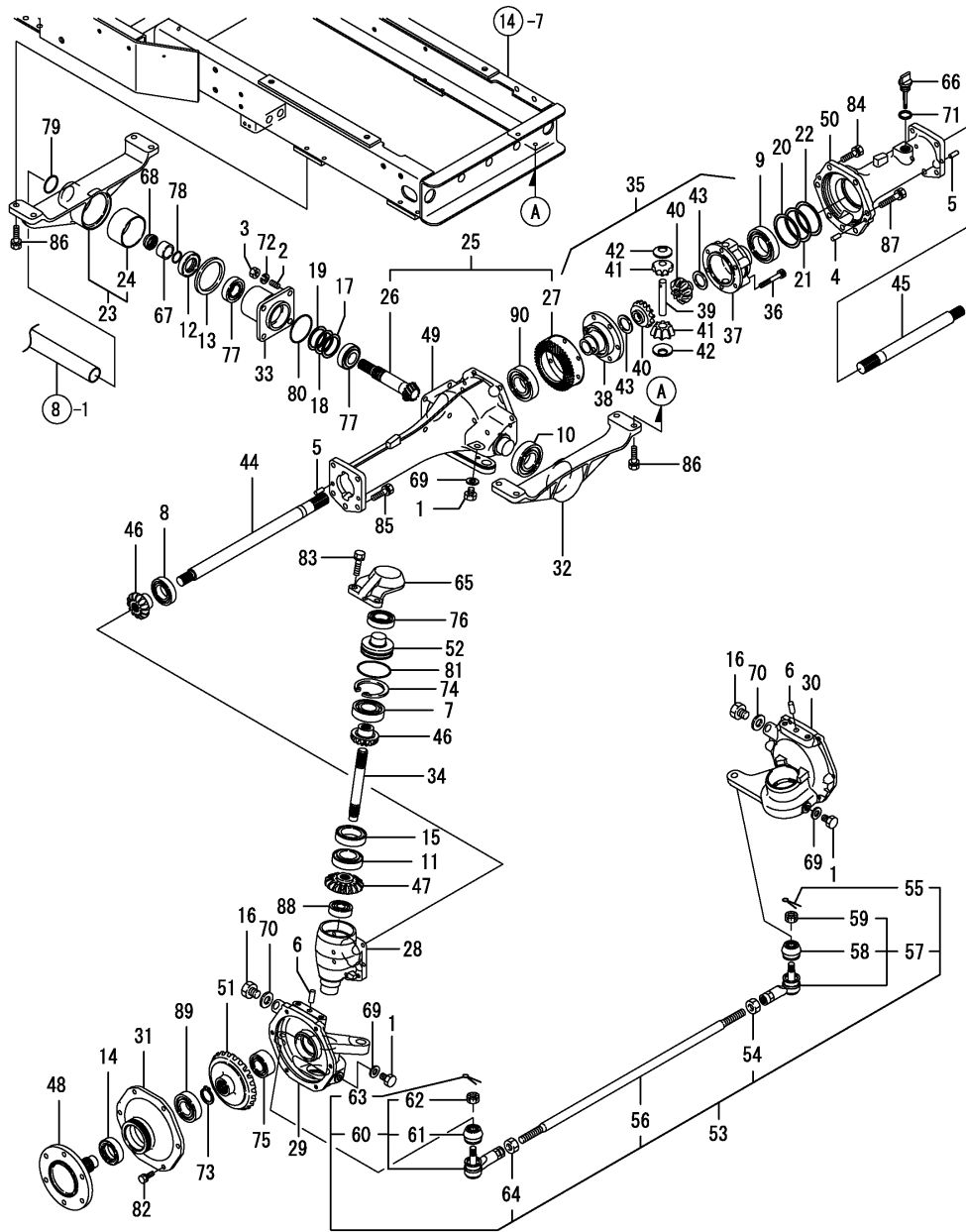


Fig.9. AXLE



(A)=GE350

(B)=

(C)=

(D)=

(E)=

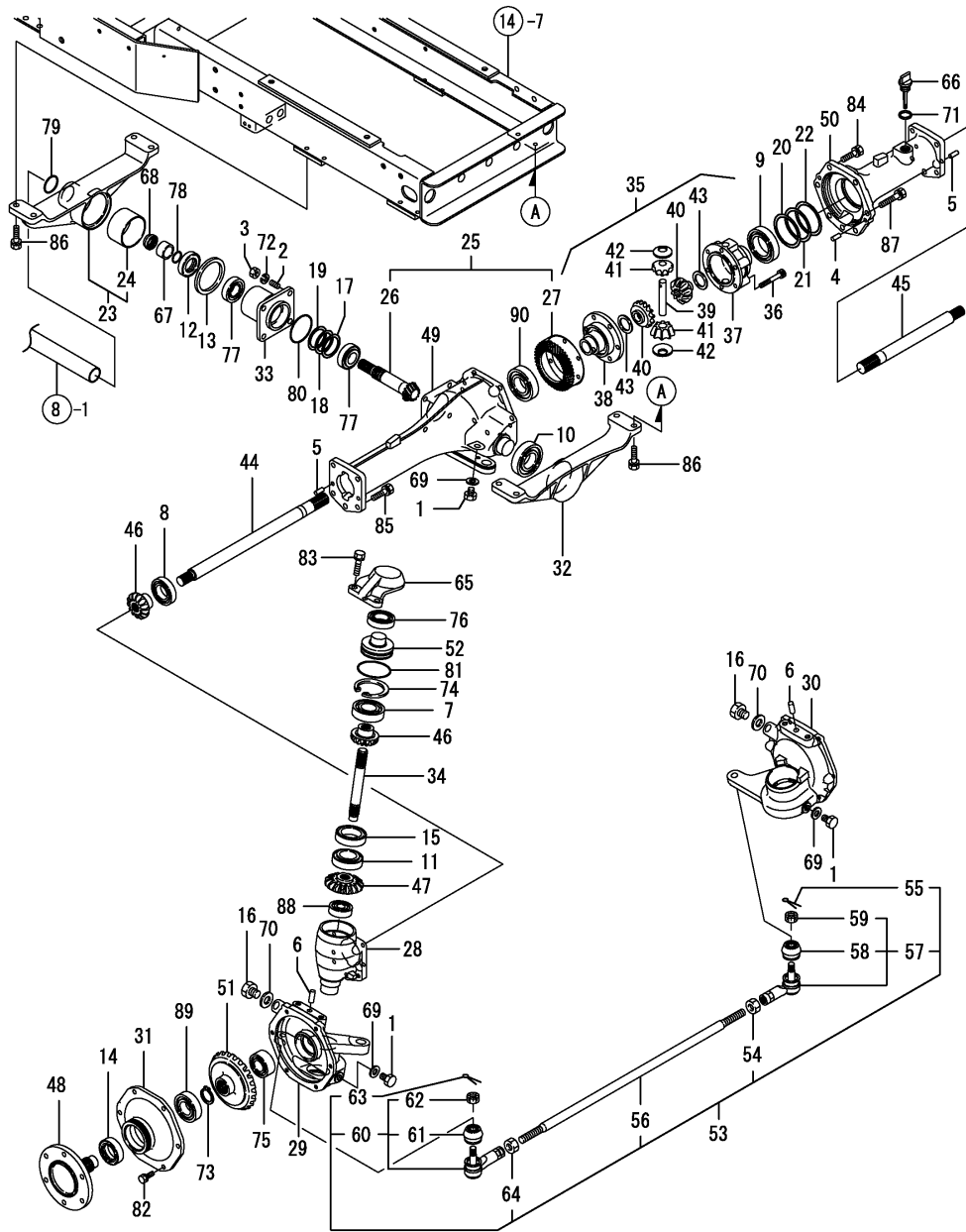
(F)=

REF.	LEV.	PARTS NO.	DESCRIPTION	QTY						I	R
				(A)	(B)	(C)	(D)	(E)	(F)		
1	1	1W0104-01212	BOLT	3							
2	1	1W0121-11020	BOLT,STUD	4							
3	1	1W0210-10010	NUT	4							
4	1	1W0305-00820	PIN,KNOCK	2							
5	1	1W0305-00820	PIN,KNOCK	4							
6	1	1W0305-01025	PIN,KNOCK	2							
7	1	1W0401-09034	BEARING	2							
8	1	1W0401-09065	BALL BEARING	2							
9	1	24101-060094	BALL BEARING	1							
10	1	1W0403-06207	BEARING, BALL	1							
11	1	1W0425-32007	TAPER ROLLER BEARIN	2							
12	1	1W0502-02332	SEAL, OIL	1							
13	1	1W0503-01165	SEAL, OIL	1							
14	1	1W0506-09043	OIL SEAL QLNY35	2							
15	1	1W0506-09045	OIL SEAL	2							
16	1	1W0646-00016	PLUG	2							
17	1	1W1992-80560	SHIM	1							
18	1	1W1992-80580	SHIM	1							
19	1	1W1992-80590	SHIM	1							
20	1	1W1992-80720	SHIM	1							
21	1	1W1992-80730	SHIM	1							
22	1	1W1992-80740	SHIM	1							
23	1	1W3220-17760	CASING ASSY	1							
24	2	1W3985-10350	BUSH	1							
25	1	1W3220-51270	DRIVE PINION ASSY	1							
26	2	1W3225-41230	DRIVE PINION:REAR MC	1							
27	2	1W3261-20920	RING GEAR:REAR MC	1							
28	1	1W3221-17431	MISSION CASE	2							
29	1	1W3221-17451	MISSION CASE L	1							
30	1	1W3221-17471	MISSION CASE R	1							
31	1	1W3222-13490	COVER;FINAL	2							
32	1	1W3222-62850	BEARING HOLDER	1							
33	1	1W3222-63130	BEARING HOLDER	1							
34	1	1W3225-13491	DRIVE SHAFT	2							
35	1	1W3260-10410	DIFF ASSY;REAR	1							
36	2	1W0107-00855	BOLT	6							
37	2	1W3261-10880	DIFF HOUSING	1							
38	2	1W3261-11090	DIFF HOUSING	1							
39	2	1W3261-30530	PINIONSHAFT	1							
40	2	1W3261-40211	GEAR,DIFFERENTIAL	2							
41	2	1W3261-60060	PINION,DIFFERENTIAL	2							
42	2	1W3992-61070	WASHER, THRUST	2							
43	2	1W3992-61080	WASHER,THRUST	2							
44	1	1W3262-11660	DIFF SHAFT;L REAR	1							
45	1	1W3262-11670	DIFF SHAFT;R REAR	1							
46	1	1W3262-40600	BEVEL GEAR	4							
47	1	1W3262-40690	FINAL PINION	2							
48	1	1W3263-12381	WHEEL SHAFT	2							
49	1	1W3263-45230	WHEEL SHAFT CASE;LH	1							
50	1	1W3263-45250	WHEEL SHAFT CASE;RH	1							
51	1	1W3263-70840	FINAL GEAR	2							

N:Old $\frac{Yes}{No}$ New, Q:Old $\frac{No}{Yes}$ New, R:Old $\frac{Yes}{No}$ New, S:Old $\frac{No}{Yes}$ New, W:Add, Z:Discontinued, F:Interchangeable by set, K:Q'ty Change

++ CONTINUE ++

Fig.9. AXLE



(A)=GE350

(B)=

(C)=

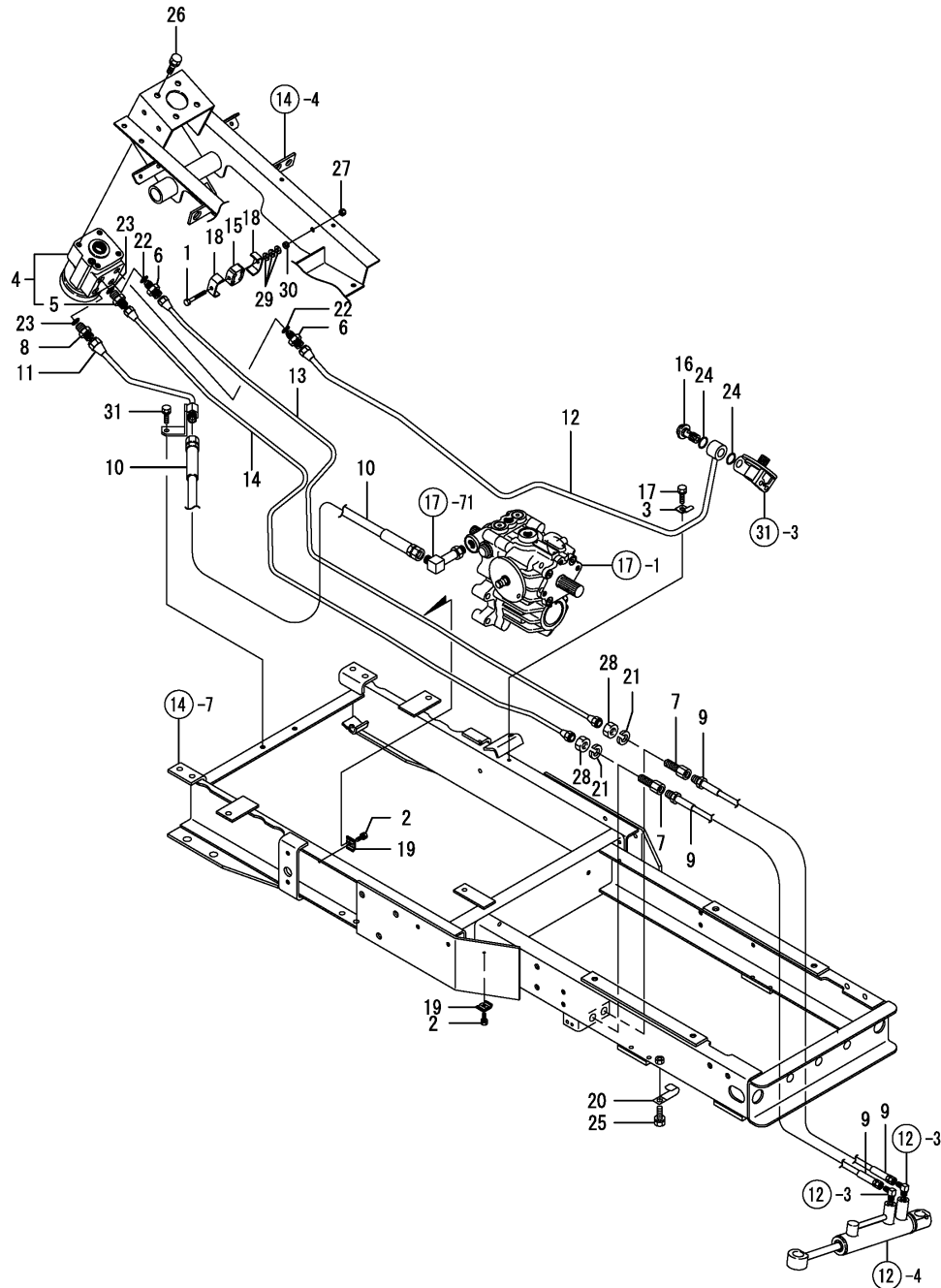
(D)=

(E)=

(F)=

REF.	LEV.	PARTS NO.	DESCRIPTION	QTY						I	R
				(A)	(B)	(C)	(D)	(E)	(F)		
52	1	1W3303-11370	KING PIN	2							
53	1	1W3340-73820	LINK ASSY	1							
54	2	1W0201-09029	NUT	1							
55	2	1W0301-03225	SPLIT PIN	1							
56	2	1W3347-12030	ROD	1							
57	2	1W3348-01360	TIE ROD END;R	1							
58	3	1W3348-10207	COVER, DUST	1							
59	3	1W3348-10209	NUT	1							
60	2	1W3348-01390	TIE ROD END;L	1							
61	3	1W3348-10207	COVER, DUST	1							
62	3	1W3348-10209	NUT	1							
63	2	1W0301-03025	SPLIT PIN	1							
64	2	26777-140002	LOCK NUT M14	1							
65	1	1W3345-25090	ARM	2							
66	1	1W3984-00430	GAUGE COMPL	1							
67	1	1W3992-32470	COLLAR	1							
68	1	1W3993-70740	NUT	1							
69	1	22190-120000	SEAL WASHER 12(BOLT)	3							
70	1	22190-160000	SEAL WASHER 16(BOLT)	2							
71	1	22190-200000	SEAL WASHER 20(BOLT)	1							
72	1	22217-100000	SPRING WASHER 10	4							
73	1	22242-000300	CIRCLIP 30	2							
74	1	22252-000650	CIRCLIP 65H	2							
75	1	24101-062054	BEARING #6205	2							
76	1	24104-060064	BALL BEARING	2							
77	1	24142-302050	TAPER-ROLLER BEARING	2							
78	1	24311-000210	O-RING 1A P-21.0	1							
79	1	24321-000350	O-RING 1A G-35.0	1							
80	1	24321-000600	O-RING 1A G-60.0	1							
81	1	24321-000650	O-RING 1A G-65.0	2							
82	1	26013-080202	BOLT W/WASHER M8X20	12							
83	1	26013-100252	BOLT W/WASHER M10X25	4							
84	1	26013-100302	BOLT M10X 30	6							
85	1	26013-100302	BOLT M10X 30	10							
86	1	26013-100302	BOLT M10X 30	8							
87	1	26013-100502	BOLT M10X 50	1							
88	1	24101-063034	BALL BEARING	2							
89	1	24101-062064	BALL BEARING 6206	2							
90	1	24101-062074	BALL BEARING	1							

Fig.10. POWER STEERING LINE



(A)=GE350

(B)=

(C)=

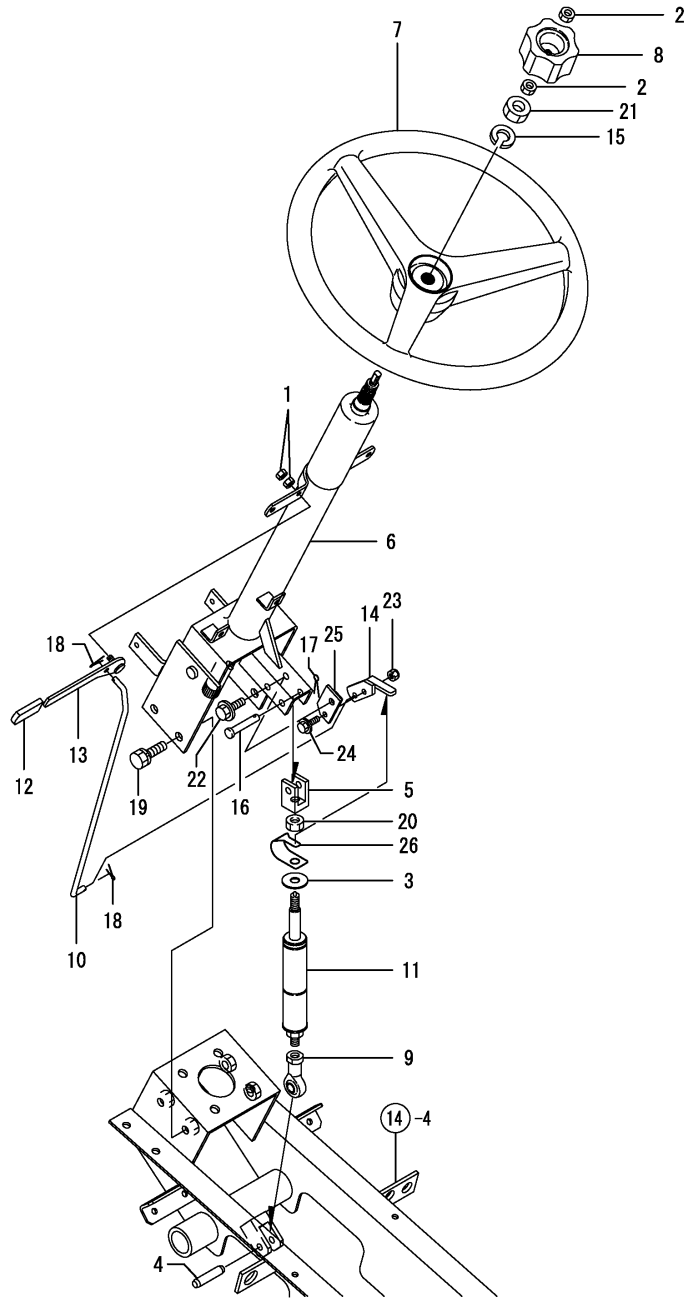
(D)=

(E)=

(F)=

REF.	LEV.	PARTS NO.	DESCRIPTION	QTY						I	R
				(A)	(B)	(C)	(D)	(E)	(F)		
1	1	1W0101-10650	BOLT	1							
2	1	1W0108-00620	BOLT	2							
3	1	1W3991-00630	CLAMP	1							
4	1	1W3340-11200	STEERING CASE ASSY	1							
5	2	1W3342-93135	CHECK VALVE	1							
6	1	1W3406-71220	JOINT	2							
7	1	1W3406-71381	ADAPTER	2							
8	1	1W3406-71710	ADAPTOR	1							
9	1	1W3406-92021	OIL HOSE	2							
10	1	1W3406-92650	OIL HOSE;G3/8-G3-8	1							
11	1	1W3407-07991	OIL PIPE;P	1							
12	1	1W3407-08000	OIL PIPE;L	1							
13	1	1W3407-08010	OIL PIPE;R	1							
14	1	1W3407-08020	OIL PIPE	1							
15	1	1W3981-15630	RUBBER	1							
16	1	1W3984-80240	NIPPLE	1							
17	1	1W0113-10620	BOLT	1							
18	1	1W3991-12130	CLAMP	2							
19	1	165000-59800	CLAMP ASSY	2							
20	1	165000-71260	CLAMP	1							
21	1	22217-140000	SPRING WASHER 14	2							
22	1	24311-000140	O-RING 1A P-14.0	2							
23	1	24311-000140	O-RING 1A P-14.0	2							
24	1	24311-000200	O-RING 1A P-20.0	2							
25	1	26013-100202	BOLT W/WASHER M10X20	1							
26	1	26043-100202	BOLT	4							
27	1	26347-060002	U-NUT M 6	1							
28	1	26777-140002	LOCK NUT M14	2							
29	1	22137-060000	WASHER 6, POLISHED	3							
30	1	26367-060002	NUT M 6	1							
31	1	26013-080202	BOLT W/WASHER M8X20	1							

Fig.11. STEERING



OCNP5-G10200 11. STEERING

(A)=GE350
(B)=
(C)=

(D)=
(E)=
(F)=

REF.	LEV.	PARTS NO.	DESCRIPTION	QTY						I	R
				(A)	(B)	(C)	(D)	(E)	(F)		
1	1	1W0201-00006	NUT	2							
2	1	1W0201-09125	NUT	2							
3	1	1W0261-09023	WASHER	1							
4	1	1W0305-09021	PIN,KNOCK	1							
5	1	1W3241-20990	BOSS	1							
6	1	1W3340-40401	PIPE HANDLE ASSY	1							
7	1	1W3343-10210	STEERING WHEEL	1							
8	1	1W3343-20171	HANDLE CAP	1							
9	1	1W3348-01330	TIE ROD END	1							
10	1	1W3585-11240	ROD	1							
11	1	1W3789-10250	STAY DUMPER	1							
12	1	1W3981-81300	GLIP	1							
13	1	1W3995-81320	LEVER	1							
14	1	165001-34910	LEVER	1							
15	1	22217-140000	SPRING WASHER 14	1							
16	1	1W0313-10845	PIN	1							
17	1	1W0301-02520	SPLIT PIN	1							
18	1	22417-200200	COTTER PIN 2.0X20	2							
19	1	26013-100202	BOLT W/WASHER M10X20	4							
20	1	26717-100002	NUT M10	1							
21	1	26777-140002	LOCK NUT M14	1							
22	1	1W0108-00816	BOLT	1							
23	1	26347-060002	U-NUT M 6	1							
24	1	1W0108-00616	BOLT	1							
25	1	165001-34920	PLATE	1							
26	1	165001-34930	SPRING	1							

Fig.12. PST CYLINDER

(A)=GE350

(B)=

(C)=

(D)=

(E)=

(F)=

REF.	LEV.	PARTS NO.	DESCRIPTION	QTY						I	R
				(A)	(B)	(C)	(D)	(E)	(F)		
1	1	1W0224-09003	NUT	1							
2	1	1W0225-09001	NUT	1							
3	1	1W3406-70280	ADAPTER, ETHER START	2							
4	1	1W3449-52381	CYLINDER ASSY	1							
5	2	1W0209-10012	NUT	1							
6	2	1W3449-60427	PISTON	1							
7	2	1W3449-60437	RING	1							
8	1	1W3992-10710	SPACER	1							
9	1	1W3996-00110	PIN	1							
10	1	1W3996-12071	PIN	1							
11	1	24761-020000	NIPPLE PT1/8,GREASE	2							
12	1	26013-080122	BOLT M 8X 12	1							

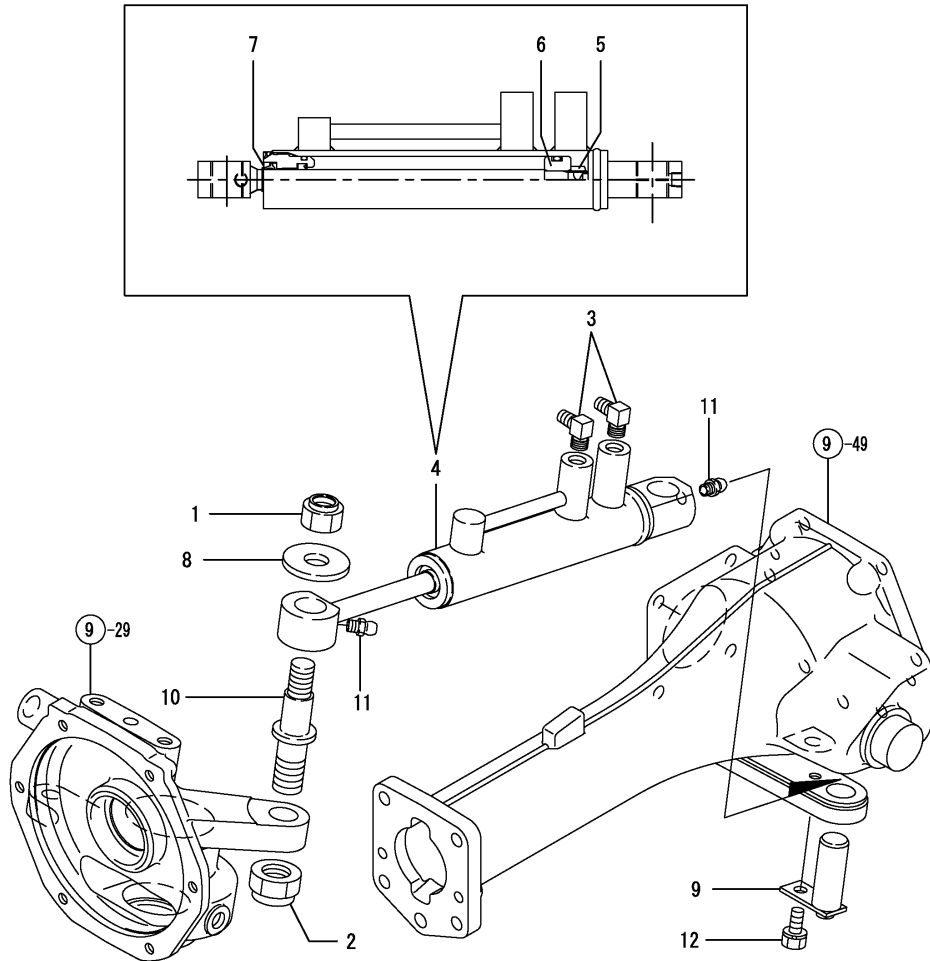


Fig.13. TRANSMISSION CASE

(A)=GE350

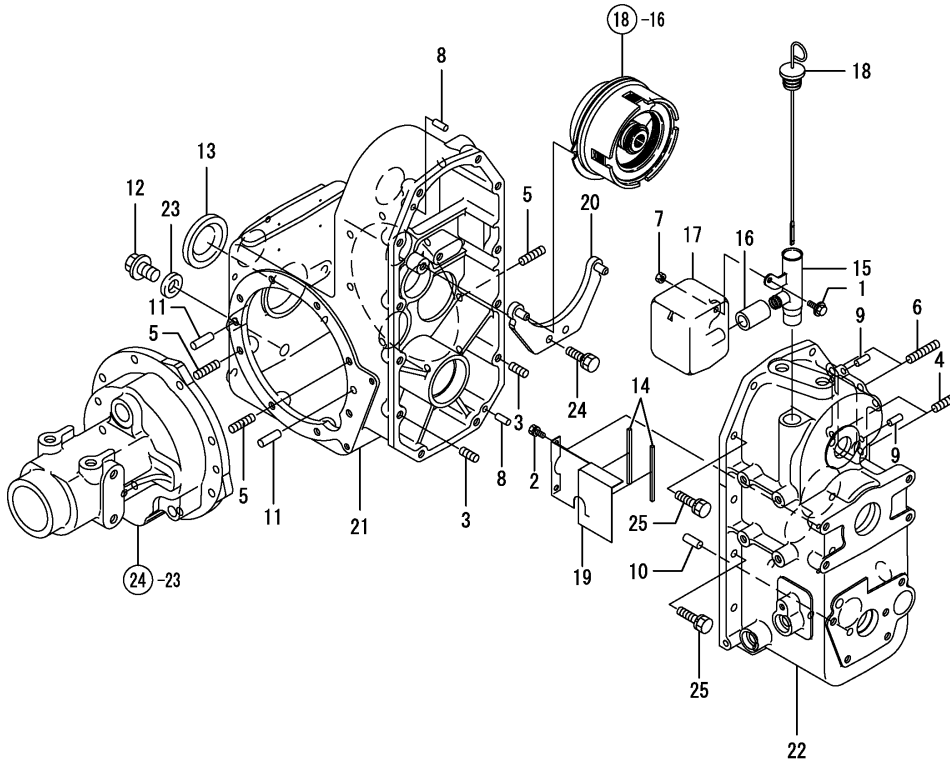
(B)=

(C)=

(D)=

(E)=

(F)=

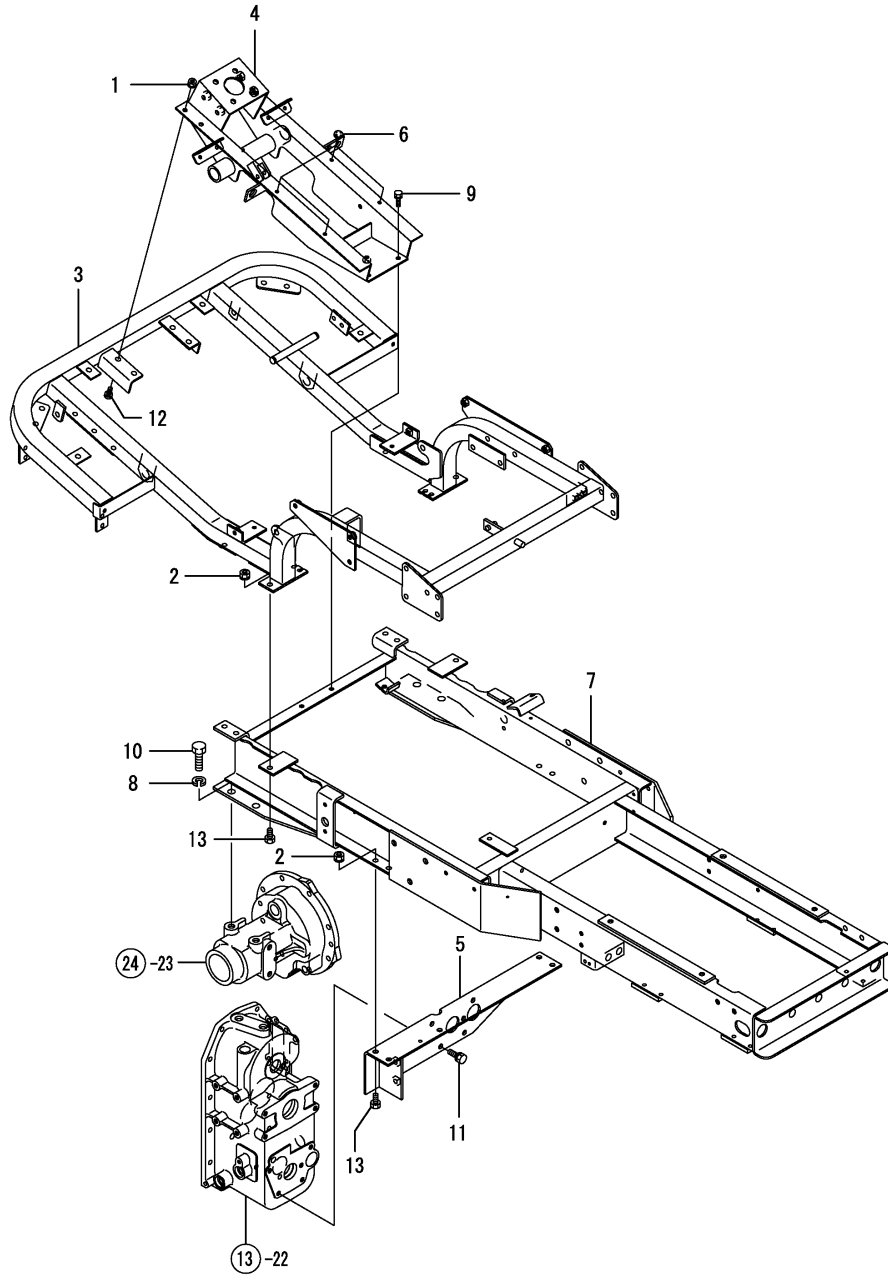


REF.	LEV.	PARTS NO.	DESCRIPTION	QTY						I	R
				(A)	(B)	(C)	(D)	(E)	(F)		
1	1	1W0108-00616	BOLT	1							
2	1	1W0111-40610	BOLT	2							
3	1	1W0121-11025	STUD BOLT	2							
4	1	1W0121-11035	STUD BOLT	2							
5	1	1W0121-11040	STUD BOLT	4							
6	1	1W0121-11050	BOLT	2							
7	1	1W0213-00006	NUT	1							
8	1	1W0305-00820	PIN,KNOCK	2							
9	1	1W0305-00820	PIN,KNOCK	2							
10	1	1W0305-01025	PIN,KNOCK	1							
11	1	1W0305-01032	PIN,KNOCK	4							
12	1	1W0646-00016	PLUG	1							
13	1	1W3221-40270	SEAL COVER	1							
14	1	1W3249-10090	MAGNET	2							
15	1	1W3406-15881	ADAPTOR	1							
16	1	1W3406-92490	OIL HOSE	1							
17	1	1W3601-02060	OIL TANK	1							
18	1	1W3984-00550	OIL GAUGE	1							
19	1	1W3995-68660	PLATE	1							
20	1	165001-34250	PLATE	1							
21	1	165001-34300	MISSION CASE	1							
22	1	165001-34310	MISSION CASE:COVER	1							
23	1	22190-160000	SEAL WASHER 16(BOLT)	1							
24	1	26013-100252	BOLT W/WASHER M10X25	2							
25	1	26013-100302	BOLT M10X 30	10							

Fig.14. FRAME

(A)=GE350
(B)=
(C)=

(D)=
(E)=
(F)=

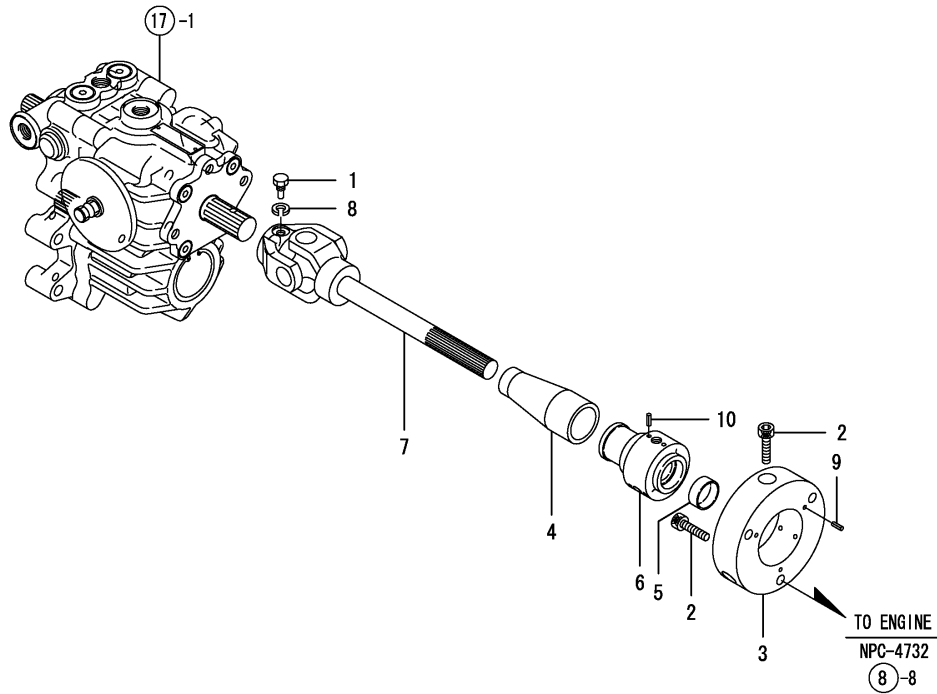


REF.	LEV.	PARTS NO.	DESCRIPTION	QTY						I	R
				(A)	(B)	(C)	(D)	(E)	(F)		
1	1	1W0215-00008	NUT	4							
2	1	1W0215-00010	NUT	6							
3	1	1W3205-51671	FRAME;UPPER	1							
4	1	1W3205-51690	FRAME	1							
5	1	1W3205-60771	FRAME;MISSION	1							
6	1	1W3981-10110	RUBBER	4							
7	1	165001-34260	FRAME	1							
8	1	22217-140000	SPRING WASHER 14	4							
9	1	26013-080202	BOLT W/WASHER M8X20	2							
10	1	26156-140252	BOLT M14X 25 PLATED	4							
11	1	26013-100202	BOLT W/WASHER M10X20	4							
12	1	26116-080202	BOLT M 8X 20 PLATED	4							
13	1	26116-100202	BOLT M10X 20 PLATED	6							

Fig.15. UNIVERSAL JOINT

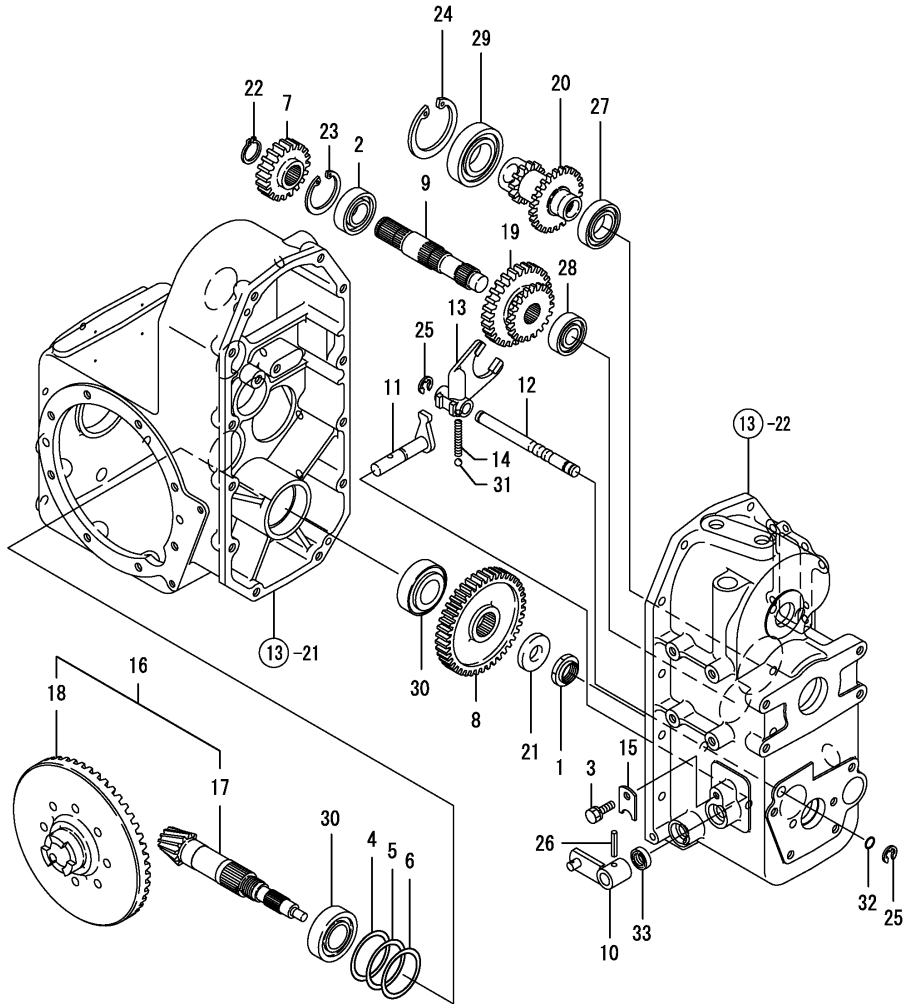
(A)=GE350
(B)=
(C)=

(D)=
(E)=
(F)=



REF.	LEV.	PARTS NO.	DESCRIPTION	Q'TY						I	R
				(A)	(B)	(C)	(D)	(E)	(F)		
1	1	1W0101-09265	BOLT	1							
2	1	1W0107-01035	BOLT	6							
3	1	1W3207-20230	COUPLING	1							
4	1	1W3981-20950	RUBBER	1							
5	1	165001-33980	SEALING CAP	1							
6	1	165001-34430	BOSS	1							
7	1	165001-34880	JOINT	1							
8	1	22217-080000	WASHER, 8	1							
9	1	22351-040012	SPRING PIN 4X12	3							
10	1	22351-040012	SPRING PIN 4X12	6							

Fig.16. MISSION GEAR & SHAFT



(A)=GE350

(B)=

(C)=

(D)=

(E)=

(F)=

REF.	LEV.	PARTS NO.	DESCRIPTION	QTY						I	R
				(A)	(B)	(C)	(D)	(E)	(F)		
1	1	1W0201-09079	NUT	1							
2	1	1W0401-09054	BEARING, BALL	1							
3	1	26013-080122	BOLT M 8X 12	1							
4	1	1W1992-80630	SHIM	1							
5	1	1W1992-80640	SHIM	1							
6	1	1W1992-80650	SHIM	1							
7	1	1W3223-25740	FIXING GEAR A	1							
8	1	1W3223-25750	FIXING GEAR A	1							
9	1	1W3225-31610	COUNTER SHAFT	1							
10	1	1W3241-06720	CHANGE LEVER	1							
11	1	1W3242-02700	SHIFT ARM	1							
12	1	1W3243-12960	SHIFTER ROD	1							
13	1	1W3244-12390	SHIFTER FORK	1							
14	1	1W3982-10280	SPRING	1							
15	1	1W3995-64790	PLATE	1							
16	1	165001-34280	DRIVE PINION ASSY	1							
17	2	165001-34410	DRIVE PINION	1							
18	2	165001-34450	RING GEAR	1							
19	1	165001-34370	SLIDE GEAR B	1							
20	1	165001-34390	MAIN SHAFT	1							
21	1	22137-240000	WASHER 24,POLISHED	1							
22	1	22242-000250	CIRCLIP 25S	1							
23	1	22252-000520	CIRCLIP 52	1							
24	1	22252-000720	CIRCLIP 72	1							
25	1	22272-000100	CIRCLIP E-10	2							
26	1	22351-060032	SPRING PIN 6X32	1							
27	1	24101-060064	BALL BEARING	1							
28	1	24101-062044	BALL BEARING #6204	1							
29	1	24101-062074	BALL BEARING	1							
30	1	24142-322060	BEARING	2							
31	1	24190-100001	BALL 5/16, STEEL	1							
32	1	24311-000100	O-RING 1A P-10.0	1							
33	1	24421-152507	SEAL TC15 25 07, OIL	1							

Fig.17. HST

(A)=GE350

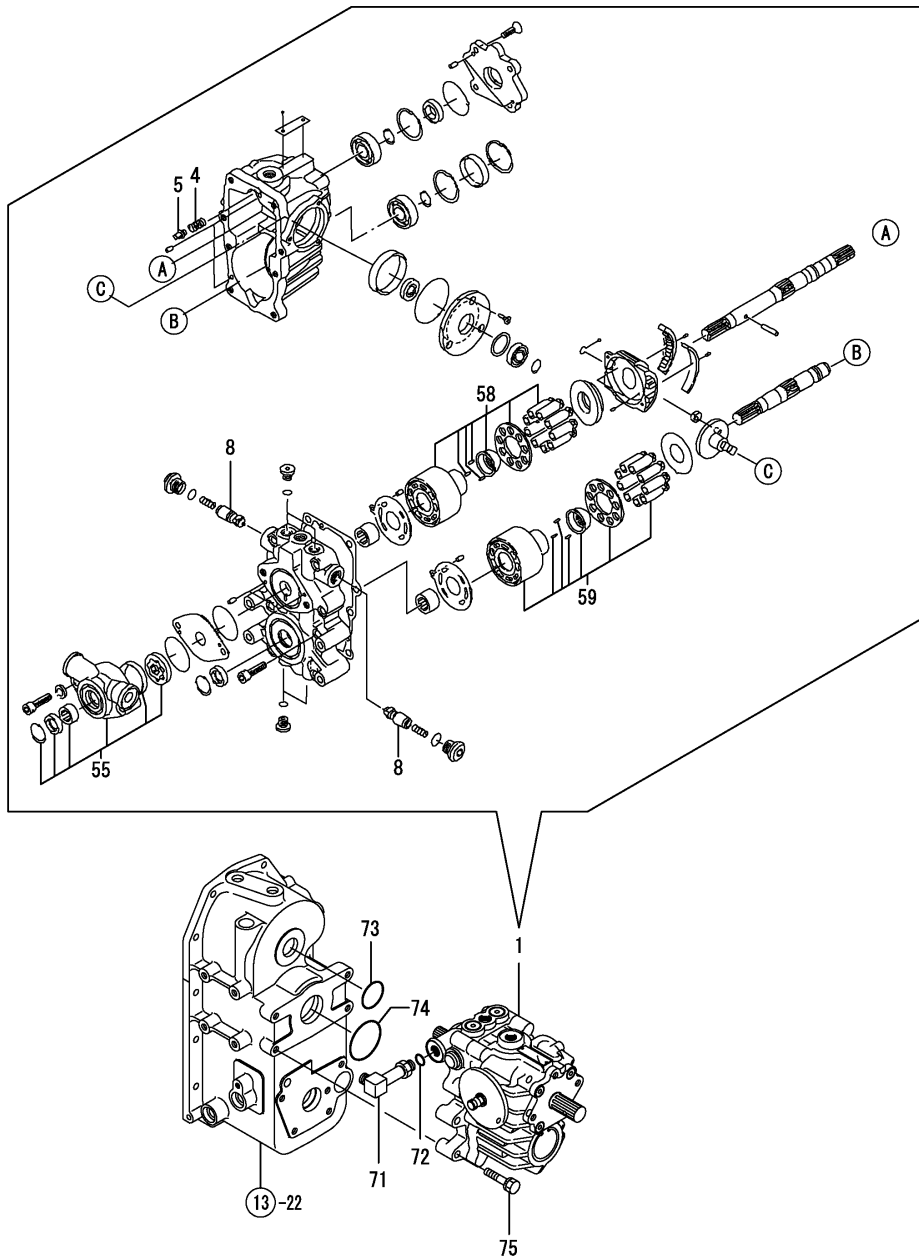
(B)=

(C)=

(D)=

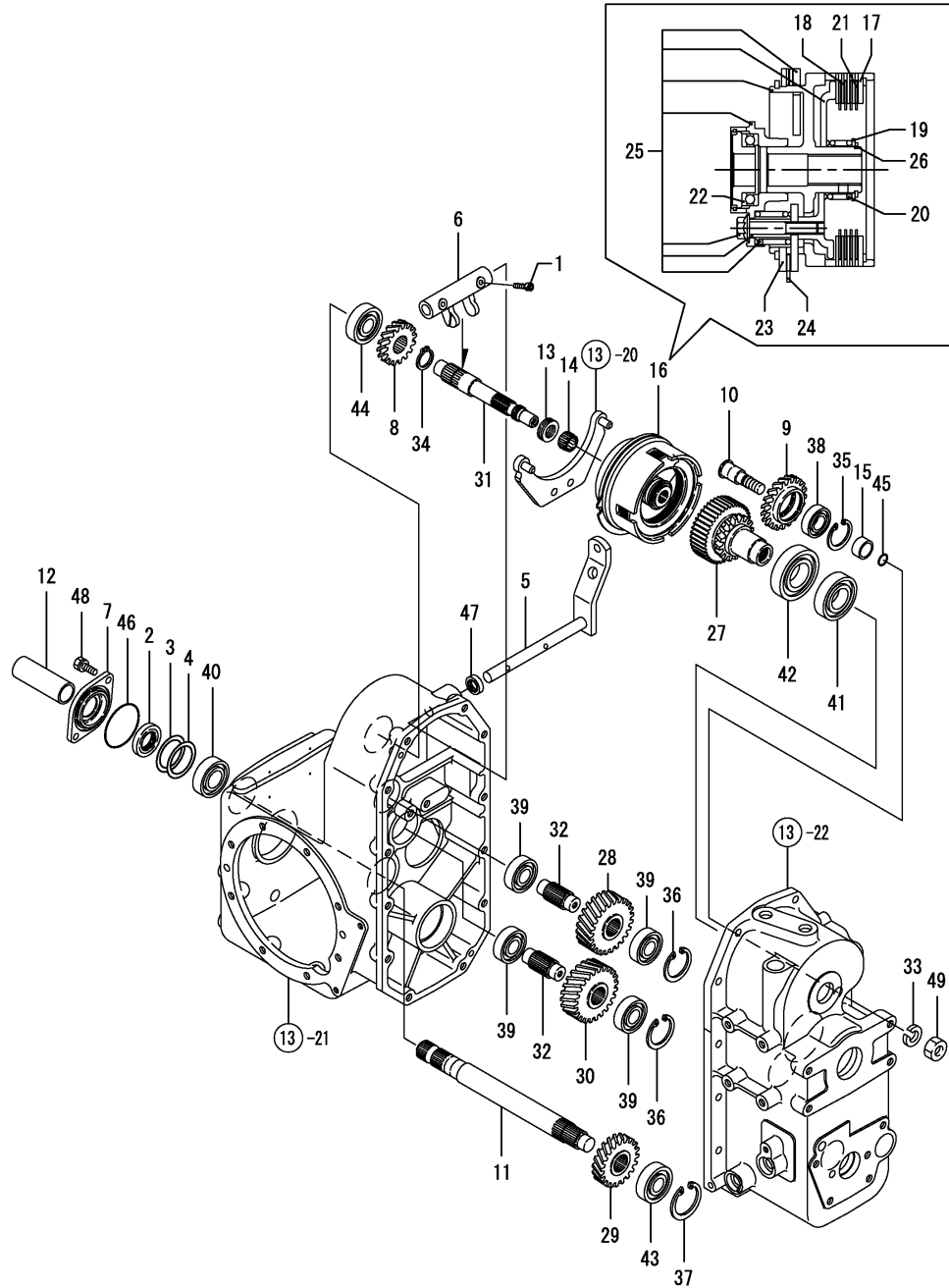
(E)=

(F)=



REF.	LEV.	PARTS NO.	DESCRIPTION	QTY						I	R
				(A)	(B)	(C)	(D)	(E)	(F)		
1	1	1W3228-00160	H.S.T	1							
4	2	1W3228-40727	SPRING	1							
5	2	1W3228-40728	VALVE	1							
8	2	1W3228-40773	VALVE ASSY	2							
55	2	1W3228-40823	CHARGE PUMP KIT	1							
58	2	1W3228-40824	CILINDER BROCK KIT	1							
59	2	1W3228-40825	CILINDER BLOCK KIT	1							
71	1	1W3406-73870	ADAPTOR G3/8	1							
72	1	24311-000140	O-RING 1A P-14.0	1							
73	1	24321-000400	O-RING 1A G-40.0	1							
74	1	24321-000600	O-RING 1A G-60.0	1							
75	1	26013-100502	BOLT M10X 50	4							

Fig.18. PTO GEAR & SHAFT



(A)=GE350

(B)=

(C)=

(D)=

(E)=

(F)=

REF.	LEV.	PARTS NO.	DESCRIPTION	QTY						I	R
				(A)	(B)	(C)	(D)	(E)	(F)		
1	1	1W0107-09043	BOLT;M6COATING	2							
2	1	1W0502-01325	OIL SEAL	1							
3	1	1W1992-80580	SHIM	1							
4	1	1W1992-80590	SHIM	1							
5	1	1W3202-01200	CLUTCH SHAFT	1							
6	1	1W3202-60200	CLUTCH FORK	1							
7	1	1W3221-41990	SEAL COVER	1							
8	1	1W3223-25760	FIXING GEAR A	1							
9	1	1W3223-71980	COUNTER GEAR A	1							
10	1	1W3225-31630	COUNTER SHAFT	1							
11	1	1W3225-90820	P.T.O SHAFT	1							
12	1	1W3981-15500	COVER	1							
13	1	1W3985-66470	BEARING	1							
14	1	1W3985-66480	BEARING	1							
15	1	1W3992-35520	COLLAR	1							
16	1	165001-28210	CLUTCH ASSY:PTO	1							
17	2	1W3206-90106	BACK PLATE	1							
18	2	1W3206-90108	SEPERATOR PLATE	4							
19	2	1W3206-90111	WASHER SPRING	1							
20	2	1W3206-90112	BRAKE SPRING	1							
21	2	1W3206-90130	DISK PLATE	4							
22	2	1W3985-60730	THR. BALL BEARING	1							
23	2	165001-34970	SERVICE PARTS	1							
24	2	165001-34980	BRAKE DISC	1							
25	2	165001-34990	CASE CLUTCH COMP	1							
26	2	22242-000300	CIRCLIP 30	1							
27	1	165001-34270	COUPLING	1							
28	1	165001-34340	FIXING GEAR A	1							
29	1	165001-34350	FIXING GEAR A	1							
30	1	165001-34360	FIXING GEAR A	1							
31	1	165001-34380	DRIVE SHAFT	1							
32	1	165001-34400	COUNTER SHAFT	2							
33	1	22217-140000	SPRING WASHER 14	1							
34	1	22242-000250	CIRCLIP 25S	1							
35	1	22252-000420	CIRCLIP 42	1							
36	1	22252-000470	CIRCLIP 47(H)	2							
37	1	22252-000520	CIRCLIP 52	1							
38	1	24101-060044	BALL BEARING #6004	1							
39	1	24101-062044	BALL BEARING #6204	4							
40	1	24101-062054	BEARING #6205	1							
41	1	24101-062064	BALL BEARING 6206	1							
42	1	24101-062074	BALL BEARING	1							
43	1	24101-063044	BALL BEARING	1							
44	1	24101-063044	BALL BEARING	1							
45	1	24311-000110	O-RING 1A P-11.0	1							
46	1	24321-000600	O-RING 1A G-60.0	1							
47	1	24421-152507	SEAL TC15 25 07, OIL	1							
48	1	26013-080202	BOLT W/WASHER M8X20	2							
49	1	26717-140002	NUT M14	1							

Fig.19. MID PTO

(A)=GE350

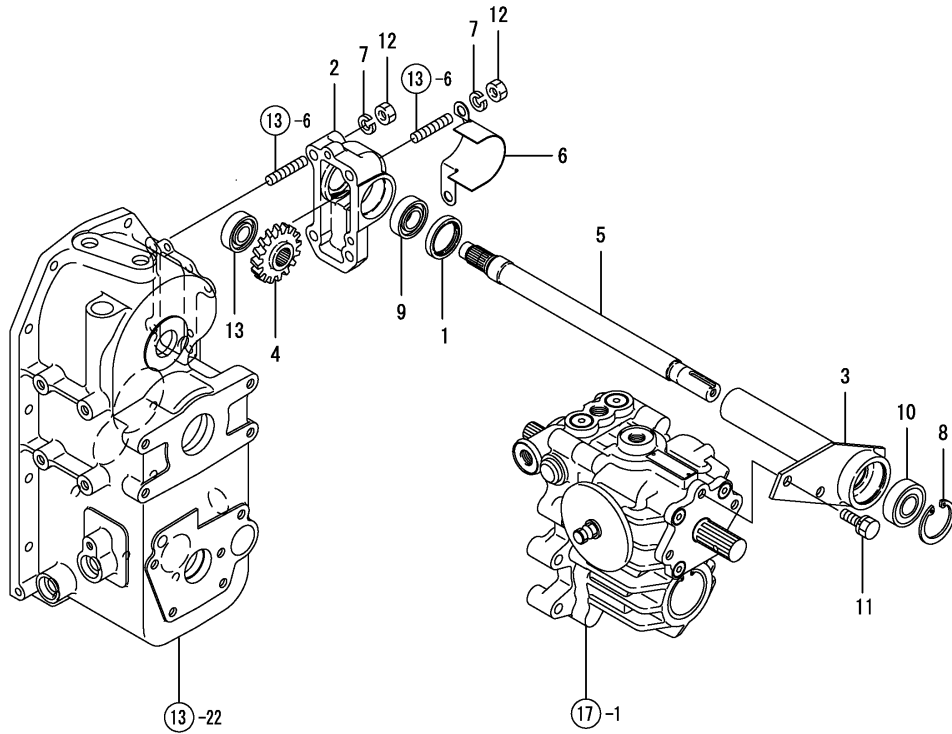
(B)=

(C)=

(D)=

(E)=

(F)=



REF.	LEV.	PARTS NO.	DESCRIPTION	QTY						I	R
				(A)	(B)	(C)	(D)	(E)	(F)		
1	1	1W0502-01325	OIL SEAL	1							
2	1	165001-34290	MISSION CASE	1							
3	1	165001-34320	BEARING HOLDER	1							
4	1	165001-34330	FIXING GEAR A	1							
5	1	165001-34420	COUNTER SHAFT	1							
6	1	165001-34690	COVER	1							
7	1	22217-100000	SPRING WASHER 10	4							
8	1	22252-000470	CIRCLIP 47(H)	1							
9	1	24101-060044	BALL BEARING #6004	1							
10	1	24104-062044	BALL BEARING	1							
11	1	26013-100162	BOLT M10X 16	2							
12	1	26737-100002	NUT M10	4							
13	1	24101-062034	BALL BEARING	1							

Fig.20. TRAVEL CHANGE CONTROL LEVER

(A)=GE350

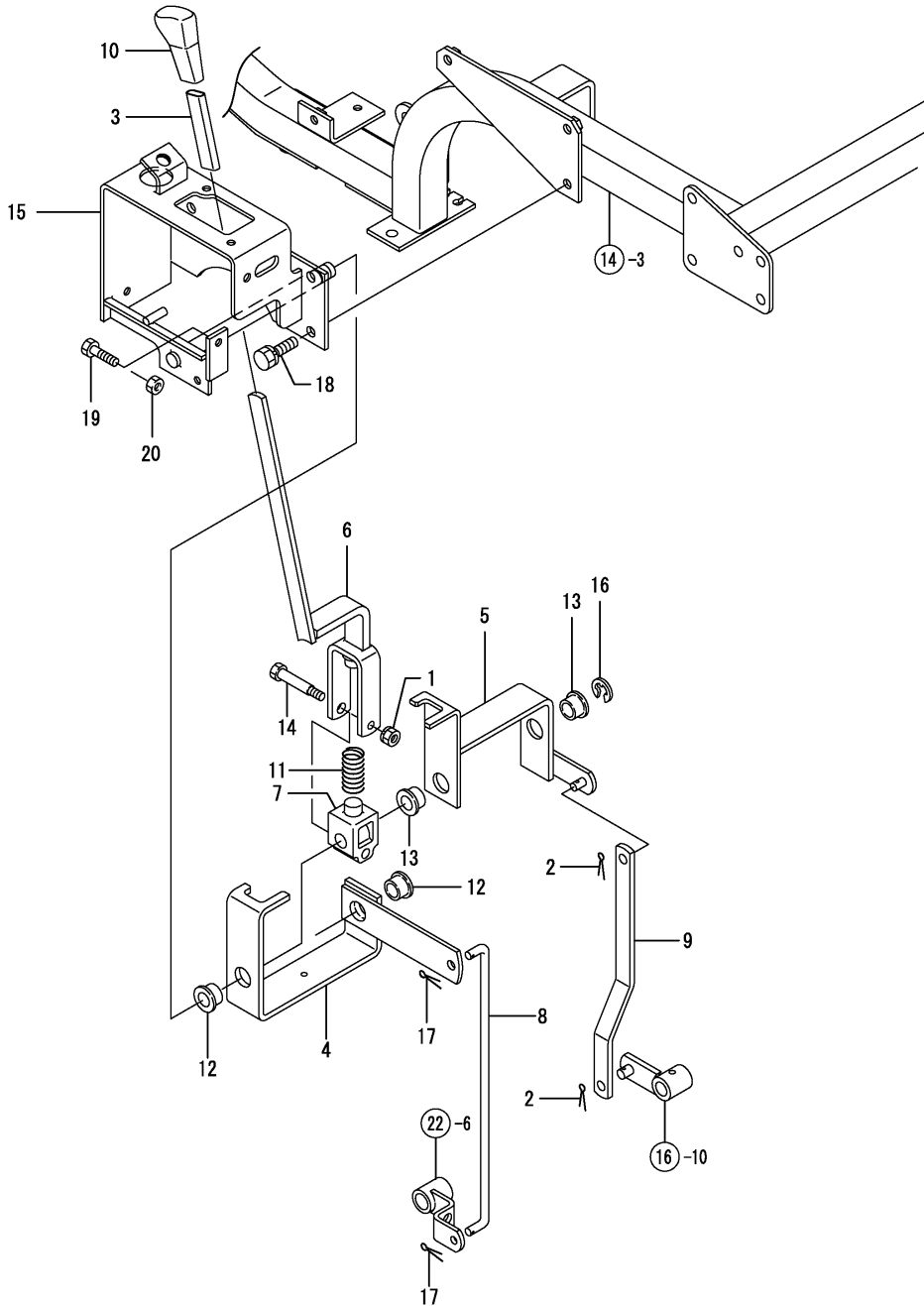
(B)=

(C)=

(D)=

(E)=

(F)=



REF.	LEV.	PARTS NO.	DESCRIPTION	QTY						I	R
				(A)	(B)	(C)	(D)	(E)	(F)		
1	1	1W0215-00008	NUT	1							
2	1	1W0301-03225	SPLIT PIN		2						
3	1	1W0681-09053	VINYL TUBE		1						
4	1	1W3241-06670	CHANGE LEVER		1						
5	1	1W3241-06690	CHANGE LEVER		1						
6	1	1W3241-06710	CHANGE LEVER		1						
7	1	1W3241-21000	BOSS		1						
8	1	1W3243-62080	SHIFT LINK		1						
9	1	1W3243-62090	SHIFT LINK		1						
10	1	1W3981-80890	GRIP		1						
11	1	1W3982-15500	SPRING		1						
12	1	1W3985-11320	BUSH		2						
13	1	1W3985-11320	BUSH		2						
14	1	1W3994-31070	BOLT		1						
15	1	165001-27660	CAM LEVER		1						
16	1	22272-000120	CIRCLIP E-12		1						
17	1	22417-200200	COTTER PIN 2.0X20		2						
18	1	26013-100202	BOLT W/WASHER M10X20		3						
19	1	26116-080252	BOLT M 8X 25 PLATED		1						
20	1	26717-080002	NUT 8		1						

Fig.21. P.T.O. CHANGE LEVER

(A)=GE350

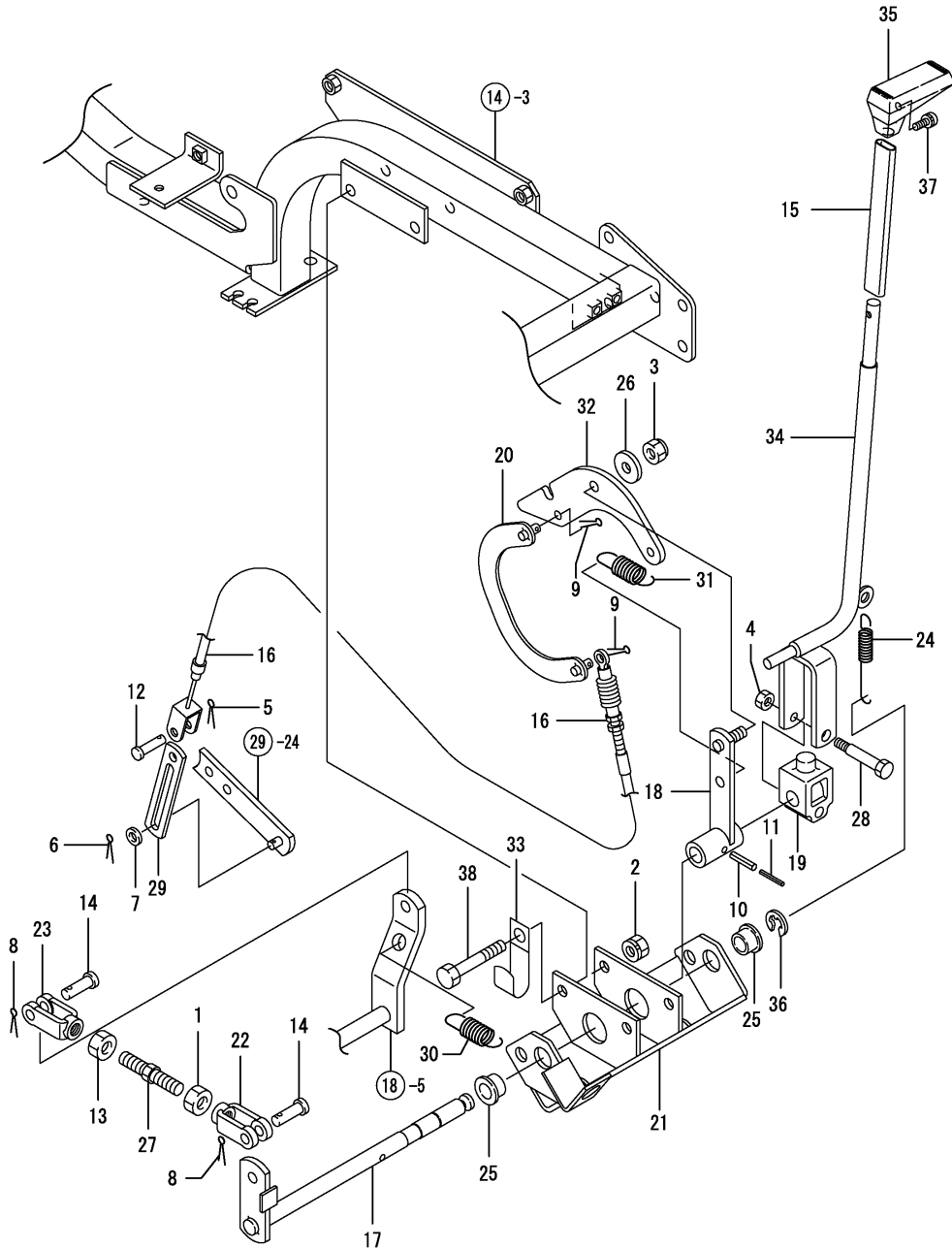
(B)=

(C)=

(D)=

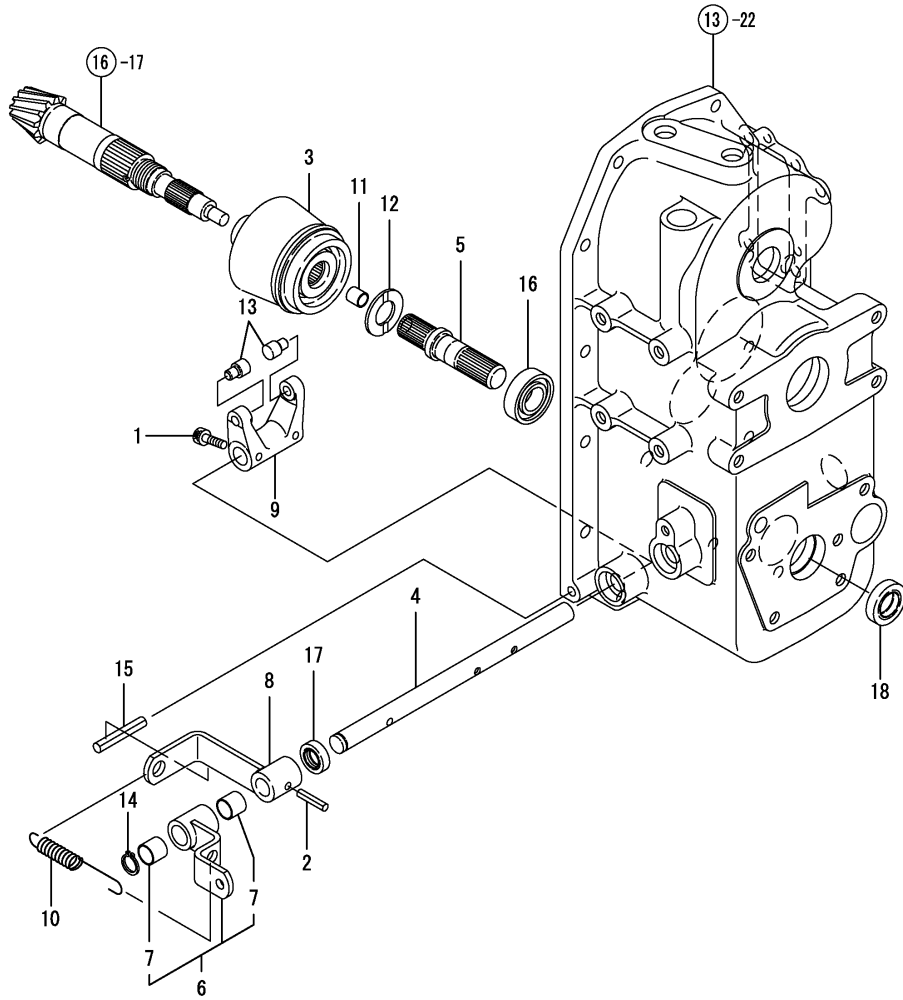
(E)=

(F)=



REF.	LEV.	PARTS NO.	DESCRIPTION	QTY						I	R
				(A)	(B)	(C)	(D)	(E)	(F)		
1	1	1W0206-09805	NUT	1							
2	1	1W0215-00010	NUT	2							
3	1	1W0223-00010	NUT	1							
4	1	1W0224-00010	NUT	1							
5	1	1W0301-02016	COTTER PIN	1							
6	1	1W0301-02016	COTTER PIN	1							
7	1	22137-080000	WASHER 8, POLISHED	1							
8	1	1W0301-03220	PIN,SPLIT	2							
9	1	1W0301-03220	PIN,SPLIT	2							
10	1	1W0303-00628	PIN	1							
11	1	1W0303-03528	SPRING PIN	1							
12	1	1W0313-10820	PIN	1							
13	1	26737-120002	NUT M12	1							
14	1	1W0313-11030	PIN	2							
15	1	1W0681-09052	VINYL TUBE	1							
16	1	1W3127-00650	WIRE	1							
17	1	1W3202-01131	CLUTCH SHAFT;PTO	1							
18	1	1W3241-06800	CHANGE LEVER	1							
19	1	1W3241-21000	BOSS	1							
20	1	1W3245-01270	SHIFT GUIDE	1							
21	1	1W3245-01280	SHIFT GUIDE	1							
22	1	1W3585-60180	FORK JOINT;L	1							
23	1	1W3585-60190	FORK JOINT;R	1							
24	1	1W3982-14590	SPRING	1							
25	1	1W3985-11320	BUSH	2							
26	1	1W3992-11890	SPACER	1							
27	1	1W3994-10140	STUD BOLT	1							
28	1	1W3994-31070	BOLT	1							
29	1	1W3995-68730	PLATE	1							
30	1	1W4982-21100	SPRING	1							
31	1	1W4982-21100	SPRING	1							
32	1	165000-65330	SHIFT PLATE	1							
33	1	165000-71260	CLAMP	1							
34	1	165001-34440	CHANGE LEVER	1							
35	1	165001-34870	GRIP	1							
36	1	22272-000120	CIRCLIP E-12	1							
37	1	26022-060162	SCREW M 6X 16	1							
38	1	26116-100752	BOLT M10X 75 PLATED	2							

Fig.22. 4WD LEVER

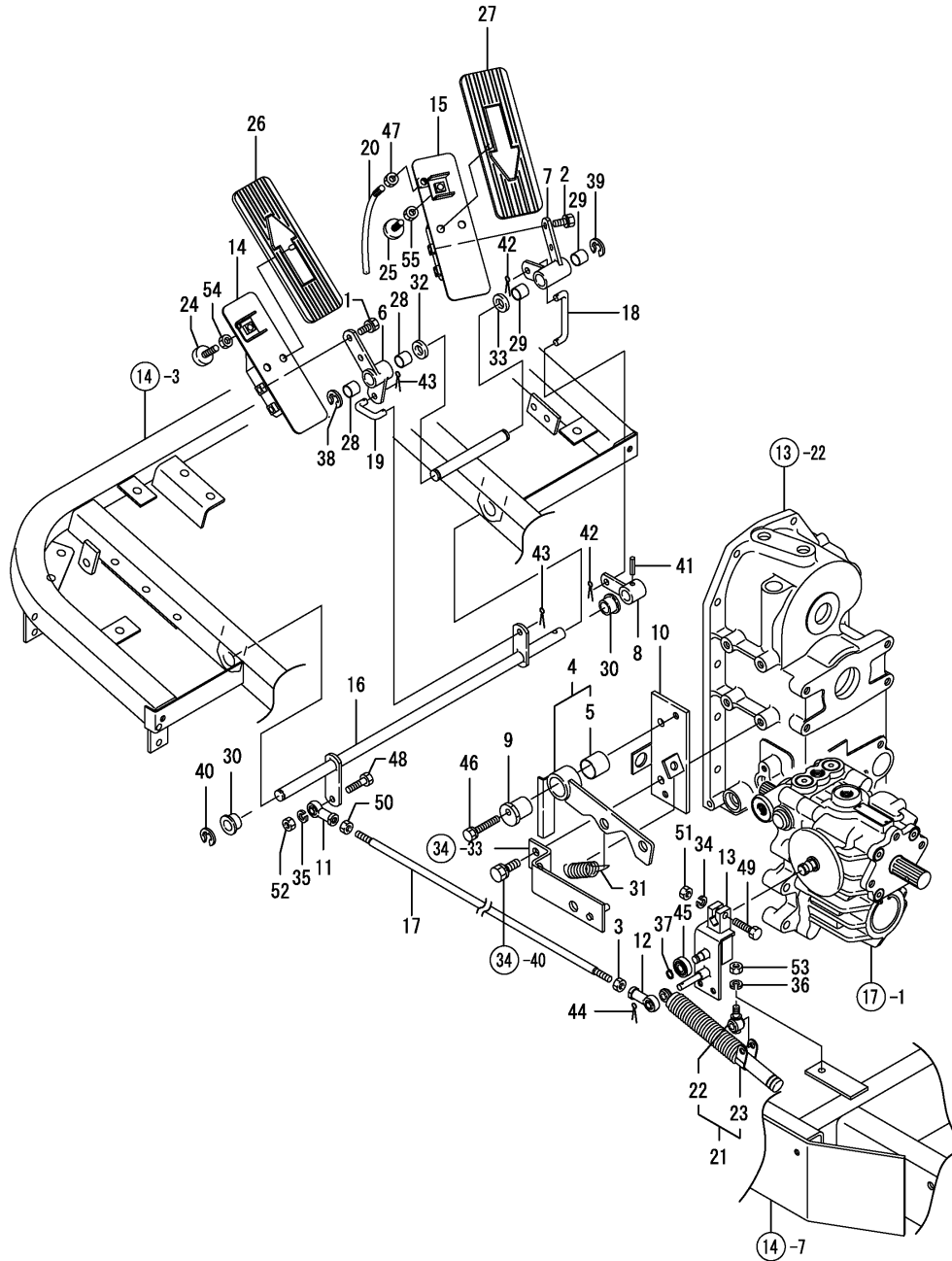


(A)=GE350
(B)=
(C)=

(D)=
(E)=
(F)=

REF.	LEV.	PARTS NO.	DESCRIPTION	QTY						I	R
				(A)	(B)	(C)	(D)	(E)	(F)		
1	1	1W0107-09043	BOLT;M6COATING	2							
2	1	1W0303-00628	PIN	1							
3	1	1W3200-80101	CLUTCH ASSY	1							
4	1	1W3202-10370	SHAFT	1							
5	1	1W3225-13460	DRIVE SHAFT	1							
6	1	1W3240-20990	CHANGE LEVER ASSY	1							
7	2	1W3985-11310	BUSH	2							
8	1	1W3241-06610	CHANGE LEVER;4W	1							
9	1	1W3244-12290	SHIFTER FORK	1							
10	1	1W3982-14450	SPRING	1							
11	1	1W3985-11930	BUSH	1							
12	1	1W3992-61500	WASHER	1							
13	1	165000-47440	PIN	2							
14	1	22242-000150	CIRCLIP 15	1							
15	1	22351-080050	SPRING PIN 8X50	1							
16	1	24101-060044	BALL BEARING #6004	1							
17	1	24421-152507	SEAL TC15 25 07, OIL	1							
18	1	24421-203508	SEAL, OIL	1							

Fig.23. HST CONTROL



(A)=GE350

(B)=

(C)=

(D)=

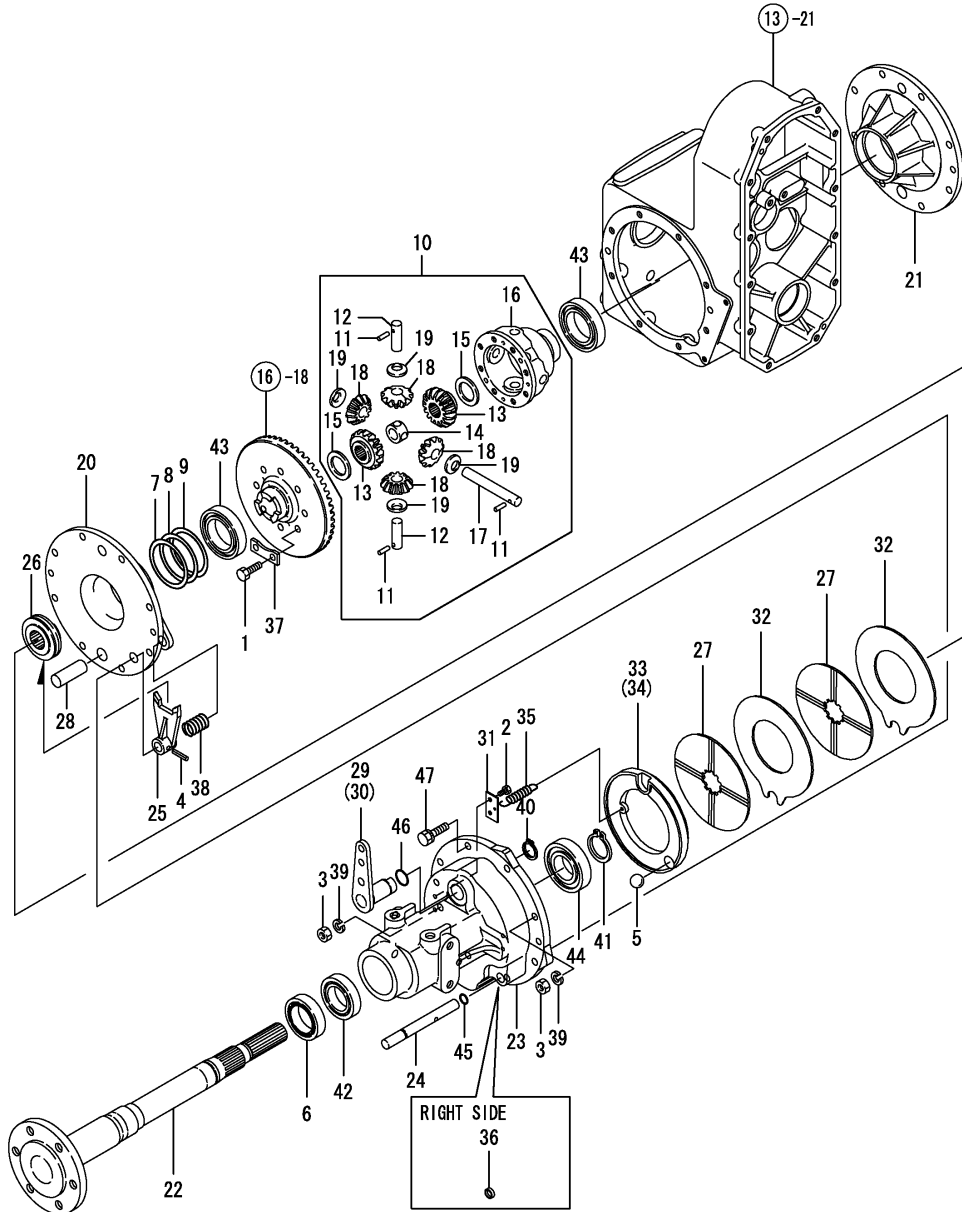
(E)=

(F)=

REF.	LEV.	PARTS NO.	DESCRIPTION	QTY						I	R
				(A)	(B)	(C)	(D)	(E)	(F)		
1	1	1W0108-00816	BOLT	2							
2	1	1W0108-00816	BOLT	2							
3	1	1W0201-09125	NUT	1							
4	1	1W3240-21040	CHANGE LEVER ASSY	1							
5	2	1W3985-10150	BUSH	1							
6	1	1W3241-06770	LEVER	1							
7	1	1W3241-06780	LEVER	1							
8	1	1W3241-06790	CHANGE LEVER	1							
9	1	1W3241-20980	BOSS	1							
10	1	1W3245-01260	SHIFT GUIDE	1							
11	1	1W3348-00360	TIE ROD END	1							
12	1	1W3348-00420	TIE ROD END	1							
13	1	1W3401-06620	CONTROL LEVER	1							
14	1	1W3581-04780	PEDAL	1							
15	1	1W3581-04780	PEDAL	1							
16	1	1W3582-00930	PEDAL SHAFT	1							
17	1	1W3585-11220	ROD	1							
18	1	1W3585-11230	ROD	1							
19	1	1W3585-11250	ROD;HST F	1							
20	1	1W3585-11260	ROD;R	1							
21	1	1W3789-10020	DAMPER	1							
22	2	1W3348-00370	END :BOLT	1							
23	2	1W3789-10030	STAY DUMPER	1							
24	1	1W3981-11640	RUBBER	1							
25	1	1W3981-11640	RUBBER	1							
26	1	1W3981-17180	RUBBER	1							
27	1	1W3981-17180	RUBBER	1							
28	1	1W3985-11310	BUSH	2							
29	1	1W3985-11310	BUSH	2							
30	1	1W3985-11320	BUSH	2							
31	1	1W4982-21080	SPRING	1							
32	1	22137-140000	WASHER 14,POLISHED	1							
33	1	22137-140000	WASHER 14,POLISHED	1							
34	1	22217-080000	WASHER, 8	1							
35	1	22217-080000	WASHER, 8	1							
36	1	22217-080000	WASHER, 8	1							
37	1	22242-000100	CIRCLIP 10	1							
38	1	22272-000120	CIRCLIP E-12	1							
39	1	22272-000120	CIRCLIP E-12	1							
40	1	22272-000120	CIRCLIP E-12	1							
41	1	22351-060025	SPRING PIN 6X25	1							
42	1	22417-200200	COTTER PIN 2.0X20	2							
43	1	22417-200200	COTTER PIN 2.0X20	2							
44	1	22417-200200	COTTER PIN 2.0X20	1							
45	1	24104-060004	BALL BEARING	1							
46	1	26013-080452	BOLT M 8X 45	1							
47	1	26717-080002	NUT 8	1							
48	1	26116-080302	BOLT 8X30	1							
49	1	26116-080352	BOLT M 8X 35	1							
50	1	26717-080002	NUT 8	1							
51	1	26717-080002	NUT 8	1							

N:Old $\begin{matrix} \text{Yes} \\ \text{No} \end{matrix}$ New, Q:Old $\begin{matrix} \text{No} \\ \text{Yes} \end{matrix}$ New, R:Old $\begin{matrix} \text{Yes} \\ \text{No} \end{matrix}$ New, S:Old $\begin{matrix} \text{No} \\ \text{Yes} \end{matrix}$ New, W:Add, Z:Discontinued, F:Interchangeable by set, K:Q'ty Change
 ++ CONTINUE ++

Fig.24. DIFFERENTIAL



OCNP5-G10200 24. DIFFERENTIAL

(A)=GE350

(B)=

(C)=

(D)=

(E)=

(F)=

REF.	LEV.	PARTS NO.	DESCRIPTION	QTY						I	R
				(A)	(B)	(C)	(D)	(E)	(F)		
1	1	1W0101-11030	BOLT	8							
2	1	1W0111-40612	BOLT	4							
3	1	1W0210-10010	NUT	4							
4	1	1W0303-00628	PIN	1							
5	1	1W0481-09004	BALL	4							
6	1	1W0506-09047	OIL SEAL	2							
7	1	1W1992-80750	SHIM	1							
8	1	1W1992-80760	SHIM	1							
9	1	1W1992-80770	SHIM	1							
10	1	1W3260-10260	DIFF ASSY	1							
11	2	1W0305-00625	PIN, KNOCK	3							
12	2	1W3261-30343	SHAFT, PINION	2							
13	2	1W3261-40030	GEAR,DIFFERENTIAL	2							
14	2	1W3261-70060	JOINT	1							
15	2	1W3992-61250	WASHER	2							
16	2	1W3261-10593	DIFF HOUSING	1							
17	2	1W3261-30472	SHAFT, PINION	1							
18	2	1W3261-60030	PINION,DIFFERENTIAL	4							
19	2	1W3992-60130	WASHER, THRUST	4							
20	1	1W3262-20420	BEARING CARRIER;L	1							
21	1	1W3262-20430	BEARING CARRIER;R	1							
22	1	1W3263-01770	WHEEL SHAFT	2							
23	1	1W3263-44970	WHEEL SHAFT CASE	2							
24	1	1W3265-30330	DIFFLOCK SHAFT	1							
25	1	1W3265-70400	DIFFLOCK FORK	1							
26	1	1W3266-10181	DIFFLOCK CLUTCH	1							
27	1	1W3281-10220	BRAKE LINING	2							
28	1	1W3282-60170	ANCHOR PIN	2							
29	1	1W3283-00570	BRAKE CAM;L	1							
30	1	1W3283-00580	BRAKE CAM;R	1							
31	1	1W3284-90045	PLATE	2							
32	1	1W3285-60190	DISK	2							
33	1	1W3285-60400	PRESSURE PLATE;L	1							
34	1	1W3285-60410	PRESSURE PLATE;R	1							
35	1	1W3982-13340	SPRING	2							
36	1	1W3984-60390	PLUG	1							
37	1	1W3993-10330	LOCK WASHER	4							
38	1	1W4982-11470	SPRING	1							
39	1	22217-100000	SPRING WASHER 10	4							
40	1	22242-000250	CIRCLIP 25S	2							
41	1	22242-000400	CIRCLIP 40	2							
42	1	24101-060084	BALL BEARING	2							
43	1	24101-060104	BALL BEARING	2							
44	1	24101-062084	BALL BEARING	2							
45	1	24311-000110	O-RING 1A P-11.0	1							
46	1	24311-000210	O-RING 1A P-21.0	1							
47	1	26013-100402	BOLT M10X 40	12							

Fig.25. DIFFERENTIAL LOCK

OCNP5-G10200 25. DIFFERENTIAL LOCK

(A)=GE350

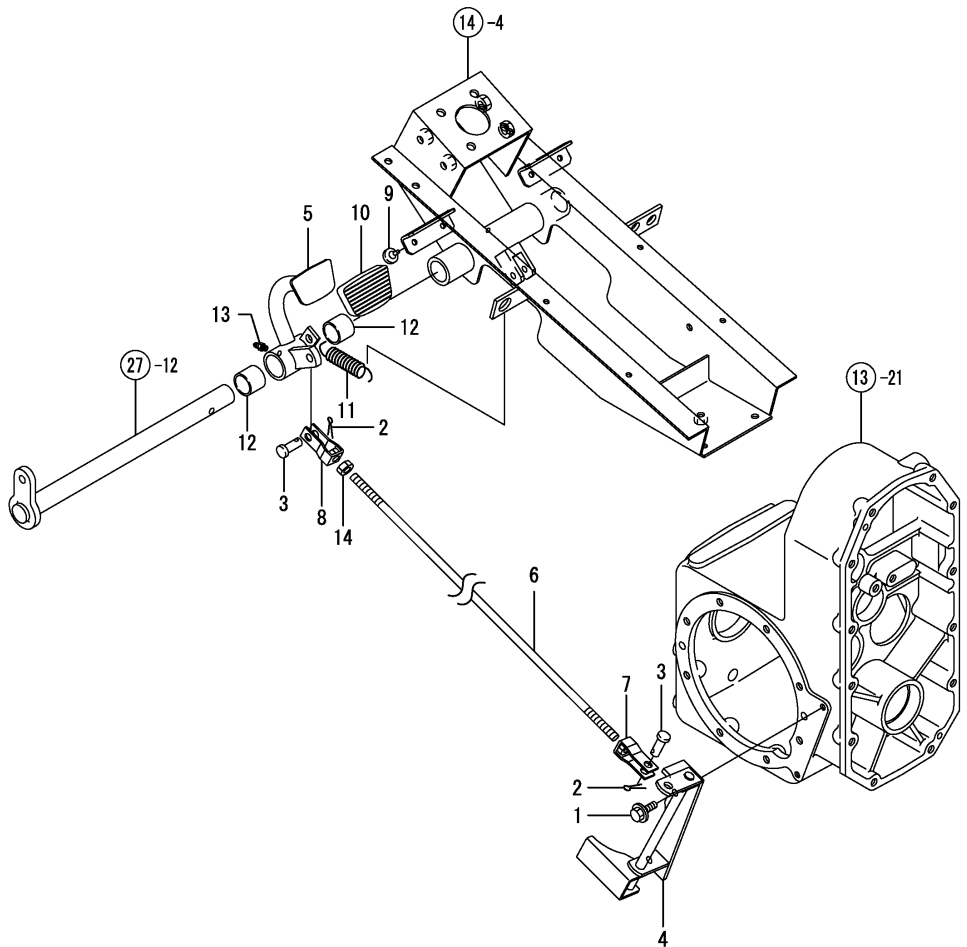
(B)=

(C)=

(D)=

(E)=

(F)=



REF.	LEV.	PARTS NO.	DESCRIPTION	QTY						I	R
				(A)	(B)	(C)	(D)	(E)	(F)		
1	1	1W0108-00816	BOLT	2							
2	1	1W0301-03225	SPLIT PIN	2							
3	1	1W0313-11020	PIN	2							
4	1	1W3265-50210	DIFFLOCK LEVER	1							
5	1	1W3581-04770	PEDAL	1							
6	1	1W3585-11120	ROD	1							
7	1	1W3585-50010	FORK JOINT	1							
8	1	1W3585-50020	FORK JOINT	1							
9	1	1W3981-10110	RUBBER	1							
10	1	1W3981-13000	RUBBER	1							
11	1	1W3982-10290	SPRING	1							
12	1	1W3985-10070	BUSH	2							
13	1	24761-010000	NIPPLE M6F, GREASE	1							
14	1	26717-100002	NUT M10	1							

Fig.27. BRAKE

(A)=GE350

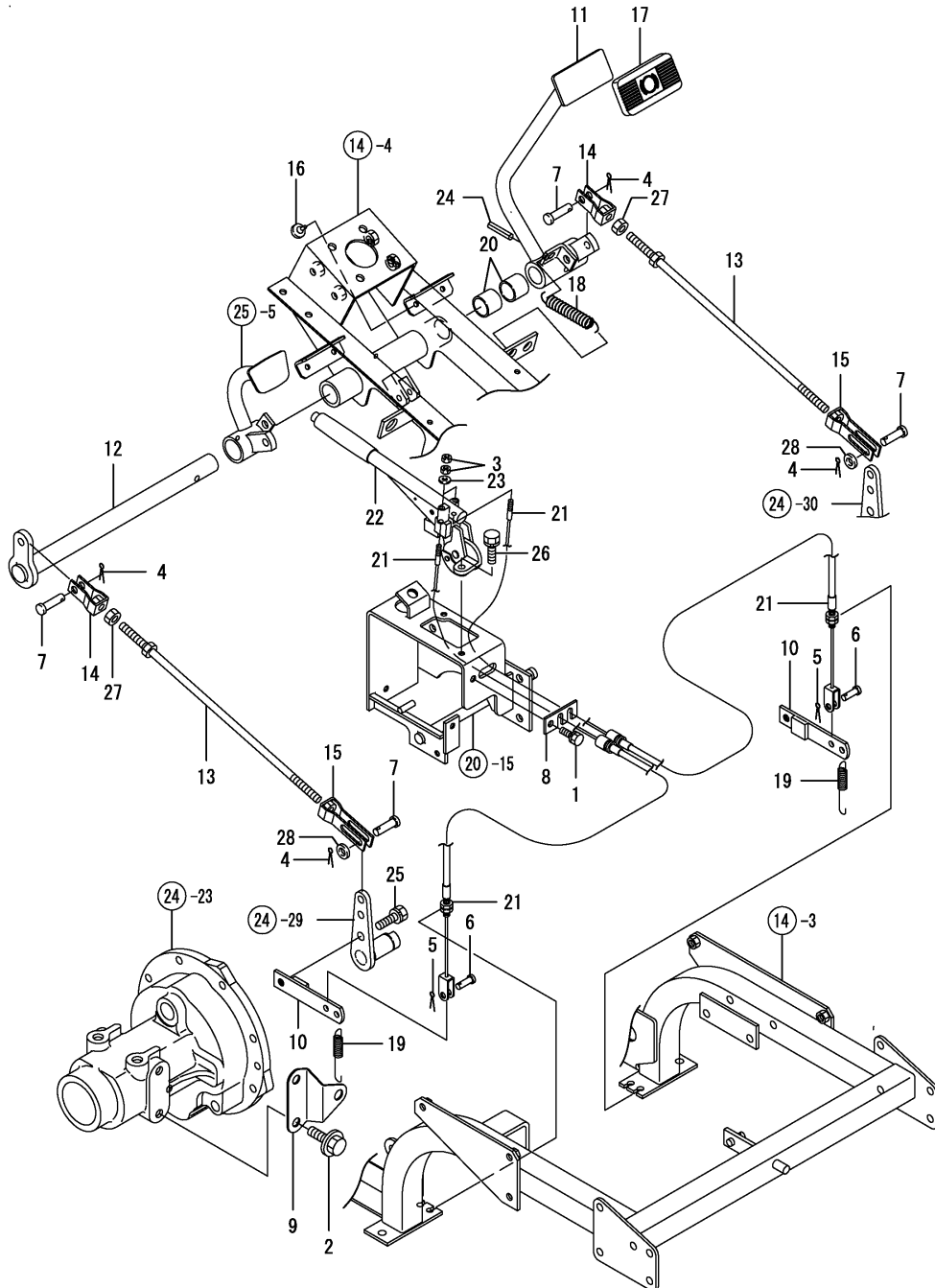
(B)=

(C)=

(D)=

(E)=

(F)=



REF.	LEV.	PARTS NO.	DESCRIPTION	QTY						I	R
				(A)	(B)	(C)	(D)	(E)	(F)		
1	1	1W0108-00816	BOLT	1							
2	1	1W0115-11220	BOLT	4							
3	1	1W0201-00006	NUT	4							
4	1	1W0301-03225	SPLIT PIN	4							
5	1	1W0301-03225	SPLIT PIN	2							
6	1	1W0313-10820	PIN	2							
7	1	1W0313-11020	PIN	4							
8	1	1W3127-40230	WIRE HOLDER	1							
9	1	1W3283-60440	BRACKET: BRAKE SPRING	2							
10	1	1W3284-00560	BRAKE LEVER	2							
11	1	1W3581-04750	PEDAL	1							
12	1	1W3582-00940	PEDAL SHAFT	1							
13	1	1W3585-00261	ROD	2							
14	1	1W3585-50010	FORK JOINT	2							
15	1	1W3585-50190	FORK JOINT	2							
16	1	1W3981-10110	RUBBER	1							
17	1	1W3981-17790	RUBBER	1							
18	1	1W3982-10290	SPRING	1							
19	1	1W3982-14590	SPRING	2							
20	1	1W3985-10070	BUSH	2							
21	1	165001-21810	WIRE	2							
22	1	165001-27640	SIDE BRAKE	1							
23	1	22137-060000	WASHER 6, POLISHED	2							
24	1	22351-080040	SPRING PIN 8X40	1							
25	1	26013-100202	BOLT W/WASHER M10X20	2							
26	1	26013-100202	BOLT W/WASHER M10X20	2							
27	1	26717-100002	NUT M10	2							
28	1	22137-100000	WASHER 10,POLISHED	2							

Fig.28. SUCTION PIPE

(A)=GE350
(B)=
(C)=

(D)=
(E)=
(F)=

REF.	LEV.	PARTS NO.	DESCRIPTION	QTY						I	R
				(A)	(B)	(C)	(D)	(E)	(F)		
1	1	1W0108-10630	BOLT	3							
2	1	1W3406-21880	FLANGE	1							
3	1	1W3984-80640	CONNECTOR	1							
4	1	165001-34540	OIL PIPE	1							
5	1	24311-000200	O-RING 1A P-20.0	1							
6	1	24311-000200	O-RING 1A P-20.0	1							
7	1	1W0107-00620	BOLT	3							

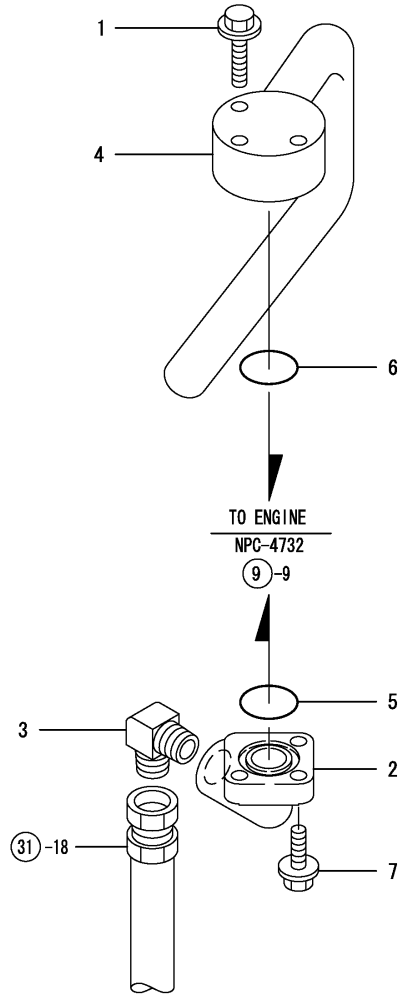
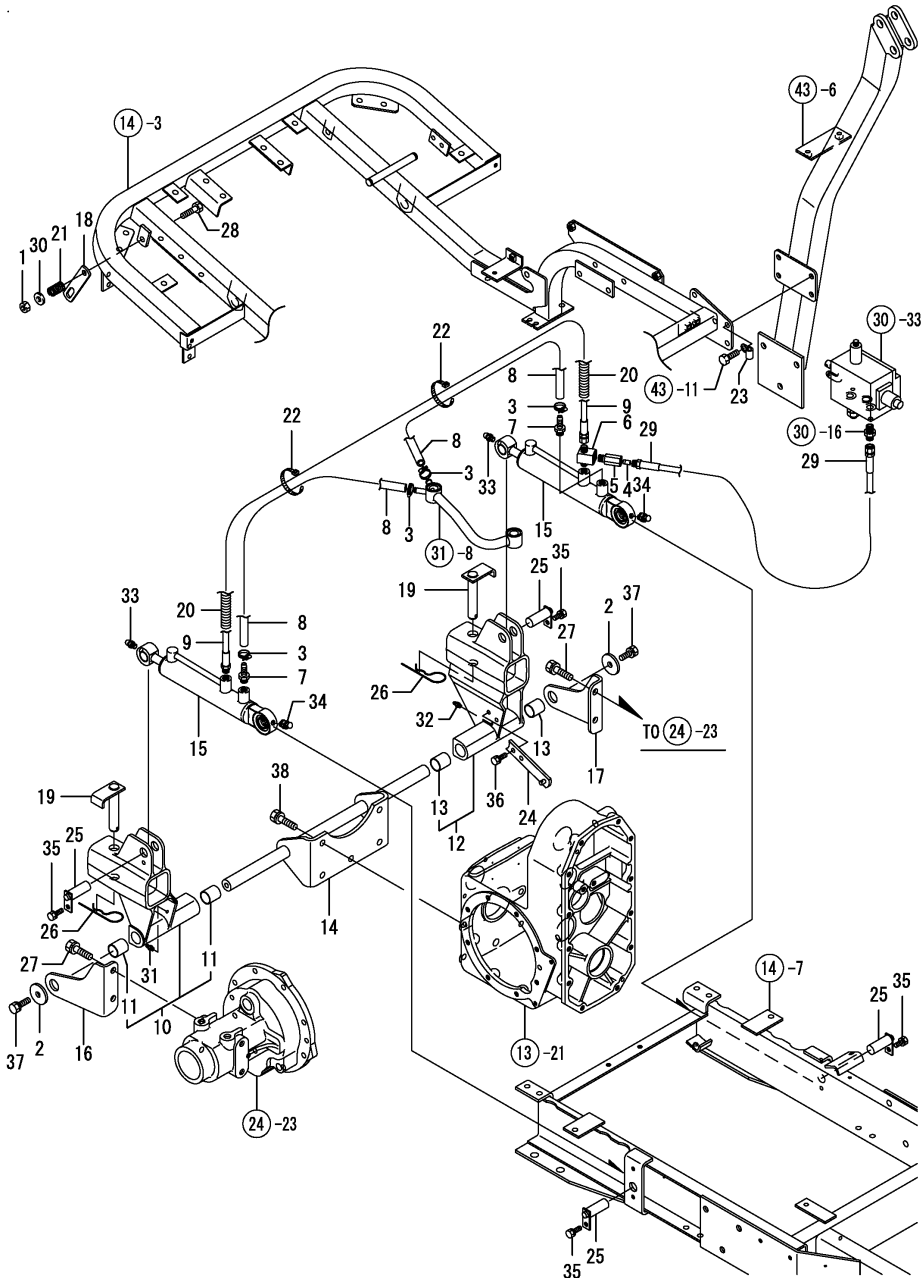


Fig.29. LIFT ARM



(A)=GE350

(B)=

(C)=

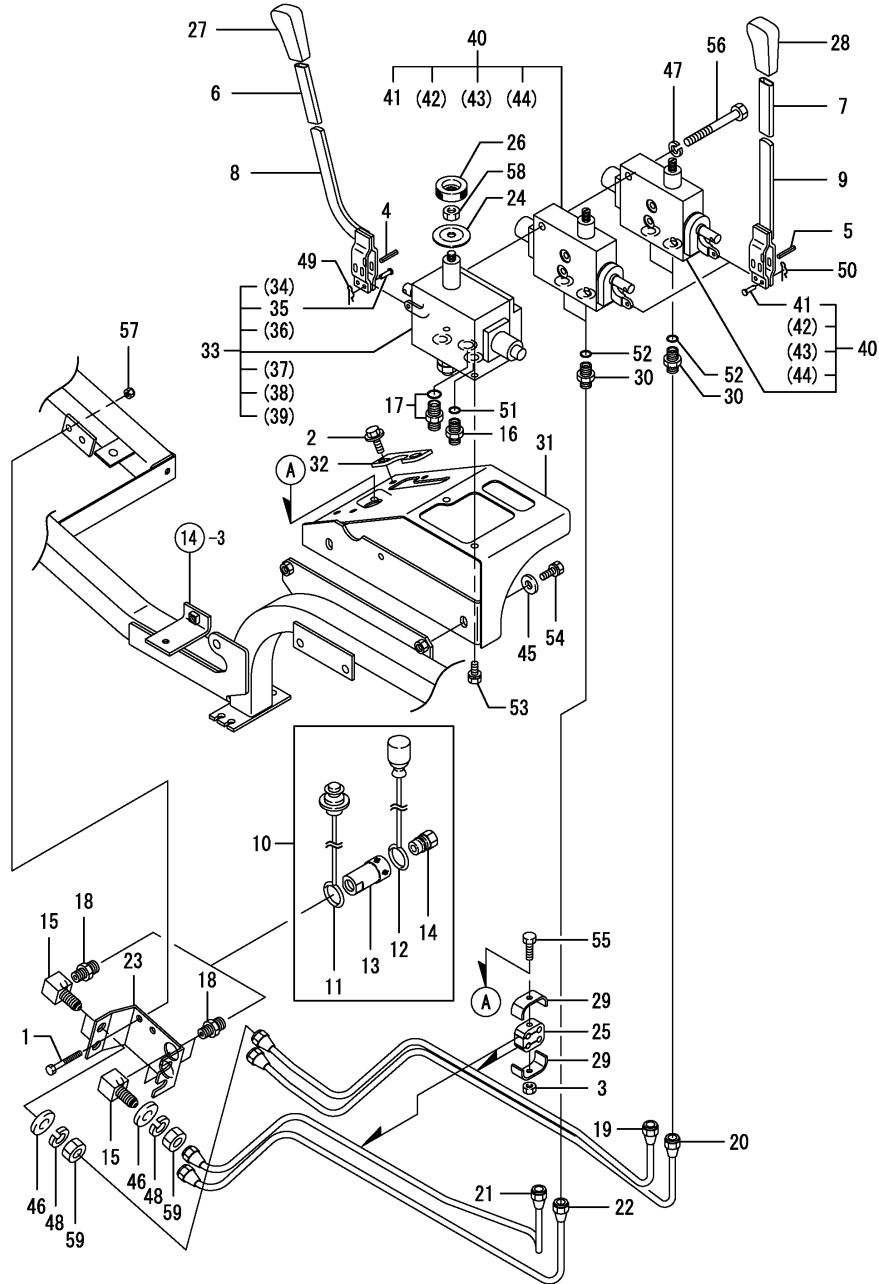
(D)=

(E)=

(F)=

REF.	LEV.	PARTS NO.	DESCRIPTION	QTY						I	R
				(A)	(B)	(C)	(D)	(E)	(F)		
1	1	1W0223-00010	NUT	2							
2	1	1W0261-09013	WASHER	2							
3	1	1W0672-00150	CLAMP,HOSE	4							
4	1	1W3401-70880	VALVE	1							
5	1	1W3406-72830	ADAPTOR	1							
6	1	1W3406-73590	ADAPTOR	1							
7	1	1W3406-73820	ADAPTOR	2							
8	1	1W3406-90240	OIL HOSE	2							
9	1	1W3406-90450	OIL HOSE	1							
10	1	1W3440-10270	LIFT ARM ASSY:L	1							
11	2	1W3985-10300	BUSH	2							
12	1	1W3440-10280	LIFT ARM ASSY:R	1							
13	2	1W3985-10300	BUSH	2							
14	1	1W3449-02310	BRACKET	1							
15	1	1W3449-52790	CYLINDER ASSY	2							
16	1	1W3703-10590	BRACKET;L	1							
17	1	1W3703-10610	BRACKET;R	1							
18	1	1W3707-70130	PLATE	2							
19	1	1W3709-00760	PIN COMPL	2							
20	1	1W3859-60550	COVER	1							
21	1	1W3982-12310	SPRING	2							
22	1	1W3987-50240	BAND	2							
23	1	1W3991-11970	CLAMP	1							
24	1	1W3995-68720	PLATE	1							
25	1	1W3996-00110	PIN	4							
26	1	1W5997-30030	SET PIN	2							
27	1	26013-120302	BOLT W/WASHER M12X30	4							
28	1	26116-100402	BOLT 10X 40	2							
29	1	165001-25070	OIL HOSE	1							
30	1	22137-100000	WASHER 10,POLISHED	2							
31	1	24761-010000	NIPPLE M6F, GREASE	1							
32	1	24761-010000	NIPPLE M6F, GREASE	1							
33	1	24761-020000	NIPPLE PT1/8,GREASE	2							
34	1	24761-050000	NIPPLE C,GREASE	2							
35	1	26013-080122	BOLT M 8X 12	4							
36	1	26013-080162	BOLT W/WASHER M8X16	2							
37	1	26013-100202	BOLT W/WASHER M10X20	2							
38	1	26013-120302	BOLT W/WASHER M12X30	4							

Fig.30. CONTROL VALVE



(A)=GE350

(B)=

(C)=

(D)=

(E)=

(F)=

REF.	LEV.	PARTS NO.	DESCRIPTION	QTY						I	R
				(A)	(B)	(C)	(D)	(E)	(F)		
1	1	1W0101-00650	BOLT	2							
2	1	1W0108-00816	BOLT	2							
3	1	1W0215-00008	NUT	2							
4	1	1W0303-00528	SPRING PIN	1							
5	1	1W0303-00528	SPRING PIN	2							
6	1	1W0681-09053	VINYL TUBE	1							
7	1	1W0681-09053	VINYL TUBE	2							
8	1	1W3401-06520	CONTROL LEVER	1							
9	1	1W3401-06530	CONTROL LEVER	2							
10	1	1W3406-31220	JOINT ASSY	4							
11	2	1W3404-90192	CAP-PLUG	4							
12	2	1W3404-90193	CAP-DUST	4							
13	2	1W3406-31200	JOINT :FEMALE	4							
14	2	1W3406-31210	JOINT :MALE	4							
15	1	1W3406-71510	ADAPTOR	4							
16	1	1W3406-71730	ADAPTOR	1							
17	1	1W3406-71810	ADAPTOR	1							
18	1	1W3406-71970	ADAPTOR	4							
19	1	1W3407-08080	OIL PIPE	1							
20	1	1W3407-08090	OIL PIPE	1							
21	1	1W3407-08100	OIL PIPE	1							
22	1	1W3407-08380	OIL PIPE:SUB D	1							
23	1	1W3408-01660	BRACKET ASSY:PIPE	1							
24	1	1W3981-10140	RUBBER	1							
25	1	1W3981-15630	RUBBER	1							
26	1	1W3981-80332	GLIP	1							
27	1	1W3981-80610	GLIP	1							
28	1	1W3981-80610	GLIP	2							
29	1	1W3991-12130	CLAMP	2							
30	1	1W4546-70040	ADAPTOR	4							
31	1	165000-65340	BRACKET	1							
32	1	165000-65350	PLATE	1							
33	1	165000-72750	VALVE ASSY:MC	1							
34	2	1W0113-11020	BOLT	2							
35	2	1W3402-92120	PIN	1							
36	2	165001-34510	RELIEF VALVE	1							
37	2	165001-34530	SEAL KIT	1							
38	2	24190-040001	BALL 1/8	2							
39	2	24311-000140	O-RING 1A P-14.0	2							
40	1	165001-34500	VALVE ASSY	2							
41	2	1W3402-92120	PIN	2							
42	2	165001-34520	SERVICE PARTS	2							
43	2	24311-000080	O-RING 1A P-8.0	2							
44	2	24311-000140	O-RING 1A P-14.0	6							
45	1	22137-100000	WASHER 10,POLISHED	2							
46	1	22137-140000	WASHER 14,POLISHED	4							
47	1	22217-100000	SPRING WASHER 10	2							
48	1	22217-140000	SPRING WASHER 14	4							
49	1	22372-040000	SNAP PIN 4	1							
50	1	22372-040000	SNAP PIN 4	2							
51	1	24311-000110	O-RING 1A P-11.0	1							

N:Old $\begin{matrix} \text{Yes} \\ \text{No} \end{matrix}$ New, Q:Old $\begin{matrix} \text{No} \\ \text{Yes} \end{matrix}$ New, R:Old $\begin{matrix} \text{Yes} \\ \text{No} \end{matrix}$ New, S:Old $\begin{matrix} \text{No} \\ \text{Yes} \end{matrix}$ New, W:Add, Z:Discontinued, F:Interchangeable by set, K:Q'ty Change

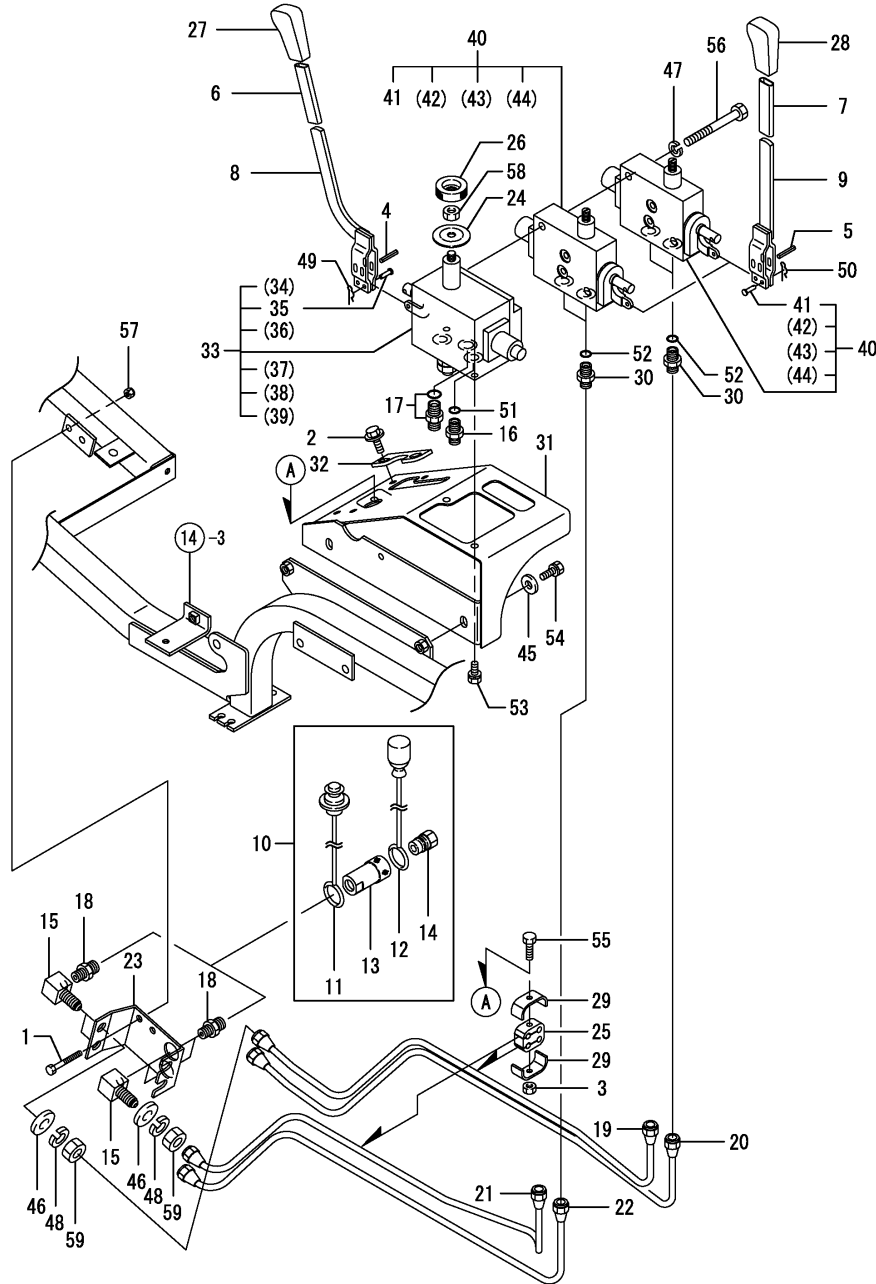
++ CONTINUE ++

(C)Copy Rights YANMAR CO.,LTD.

Fig.30. CONTROL VALVE

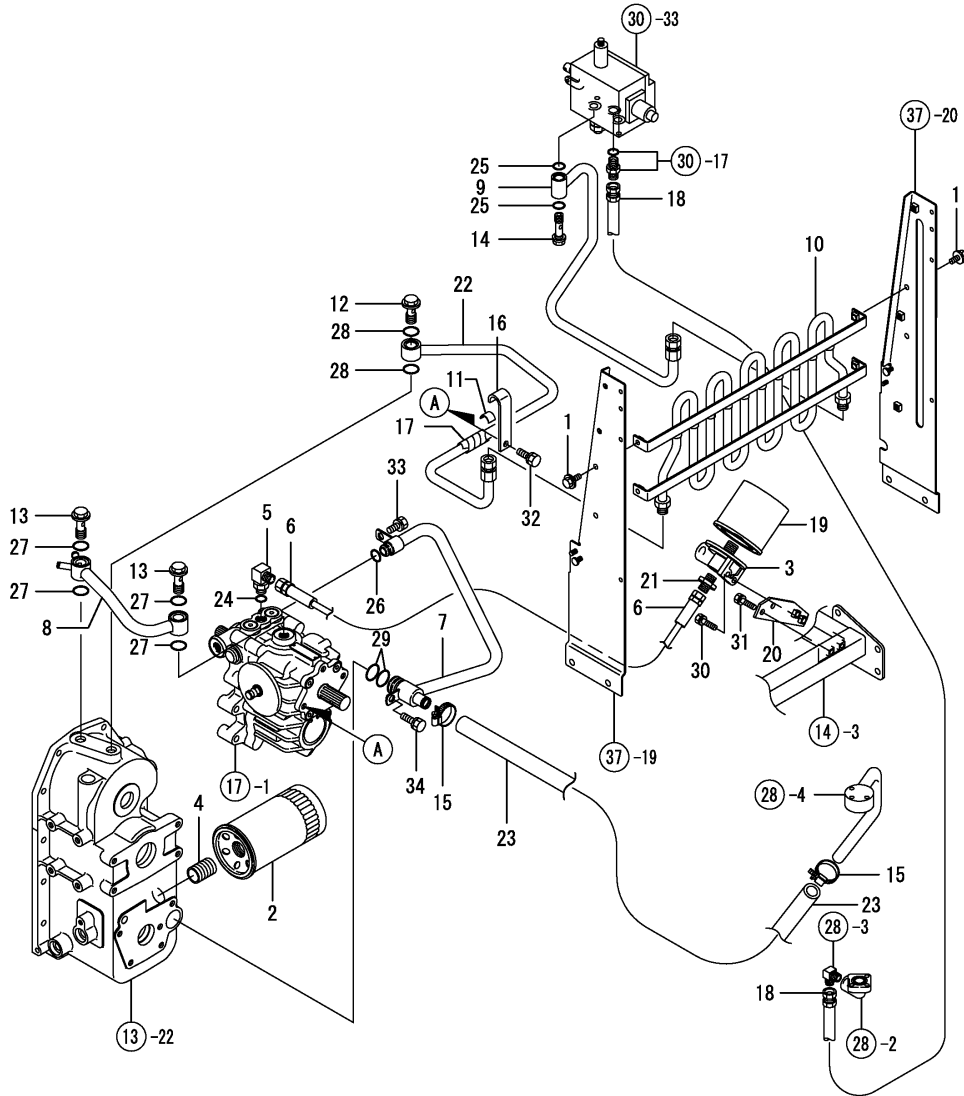
(A)=GE350
(B)=
(C)=

(D)=
(E)=
(F)=



REF.	LEV.	PARTS NO.	DESCRIPTION	QTY						I	R
				(A)	(B)	(C)	(D)	(E)	(F)		
52	1	24311-000110	O-RING 1A P-11.0	4							
53	1	26013-080122	BOLT M 8X 12	2							
54	1	26013-100202	BOLT W/WASHER M10X20	2							
55	1	26116-080202	BOLT M 8X 20 PLATED	2							
56	1	26116-100952	BOLT M10X 95 PLATED	2							
57	1	26347-060002	U-NUT M 6	2							
58	1	26757-100002	LOCK NUT M10	1							
59	1	26777-140002	LOCK NUT M14	4							

Fig.31. HYDRAULIC LINE



OCNP5-G10200 31. HYDRAULIC LINE

(A)=GE350

(B)=

(C)=

(D)=

(E)=

(F)=

REF.	LEV.	PARTS NO.	DESCRIPTION	QTY						I	R
				(A)	(B)	(C)	(D)	(E)	(F)		
1	1	1W0108-00816	BOLT	4							
2	1	1W3405-00930	OIL FILTER	1							
3	1	1W3405-60340	FLANGE	1							
4	1	1W3406-73520	ADAPTOR	1							
5	1	1W3406-73640	ADAPTOR;PF3/8 ELBOW	1							
6	1	1W3406-92060	OIL HOSE G3/8	1							
7	1	1W3407-07980	OIL PIPE	1							
8	1	1W3407-08040	OIL PIPE	1							
9	1	1W3407-08050	OIL PIPE	1							
10	1	1W3407-08060	OIL PIPE	1							
11	1	1W3981-13310	RUBBER	1							
12	1	1W3984-80240	NIPPLE	1							
13	1	1W3984-81040	EYE OR EYE BOLT	2							
14	1	1W3984-81300	EYE OR EYE BOLT	1							
15	1	1W3987-50420	CLIP	2							
16	1	1W3991-13240	CLAMP	1							
17	1	165000-66860	SPIRAL TUBE	1							
18	1	165000-89970	OIL HOSE	1							
19	1	165001-27930	OIL FILTER :HST	1							
20	1	165001-28260	PLATE	1							
21	1	165001-28270	ADAPTOR	1							
22	1	165001-34550	OIL PIPE	1							
23	1	165001-34560	OIL HOSE	1							
24	1	24311-000140	O-RING 1A P-14.0	1							
25	1	24311-000150	O-RING 1A P-15.0	2							
26	1	24311-000160	O-RING 1A P-16.0	1							
27	1	24311-000200	O-RING 1A P-20.0	4							
28	1	24311-000200	O-RING 1A P-20.0	2							
29	1	24311-000250	O-RING 1A P-25.0	2							
30	1	26013-080252	BOLT M 8X 25	2							
31	1	26013-080252	BOLT M 8X 25	2							
32	1	26013-100162	BOLT M10X 16	1							
33	1	26013-100162	BOLT M10X 16	1							
34	1	26013-100202	BOLT W/WASHER M10X20	1							

Fig.32. WIRE HARNESS

(A)=GE350

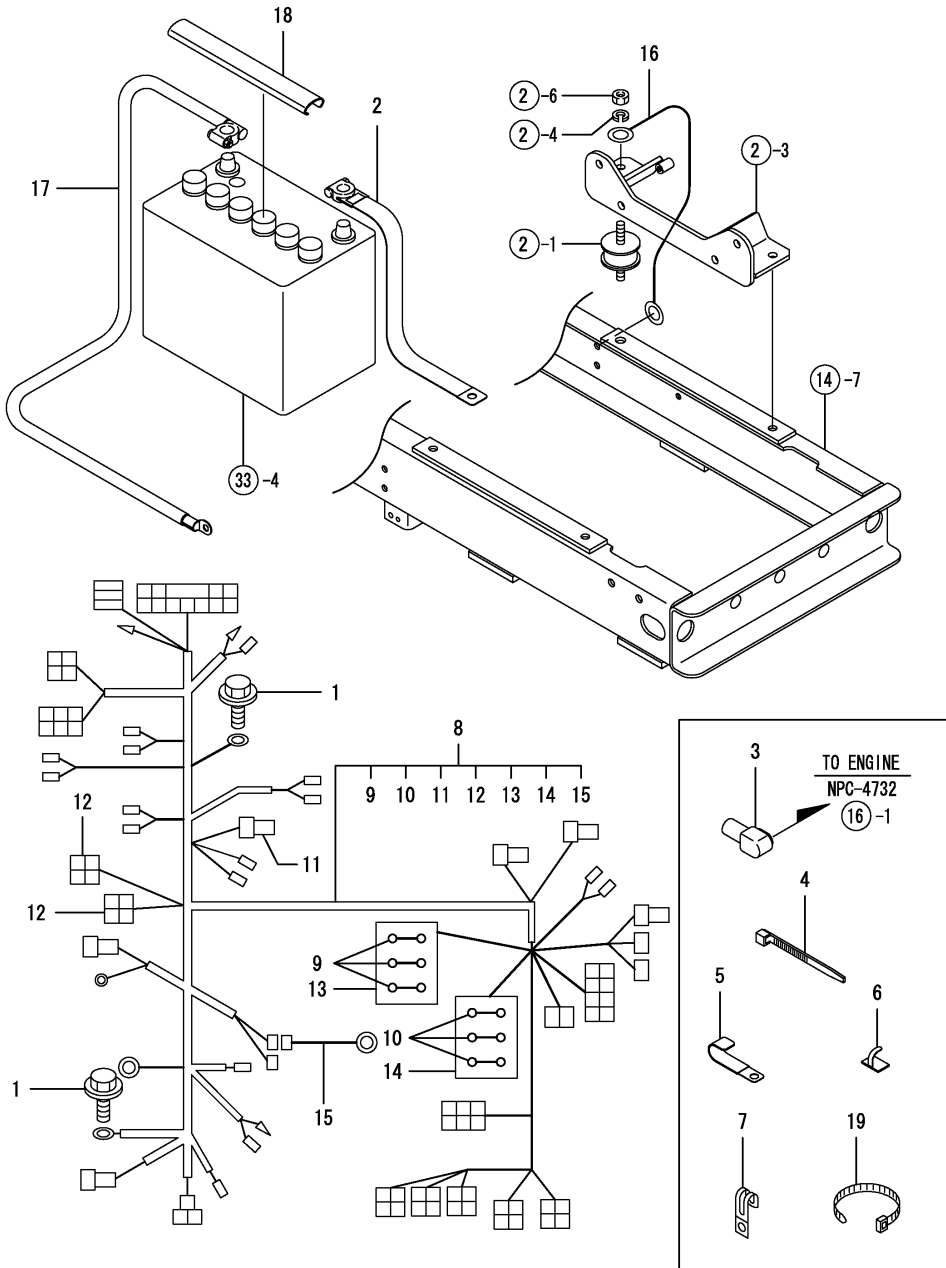
(B)=

(C)=

(D)=

(E)=

(F)=

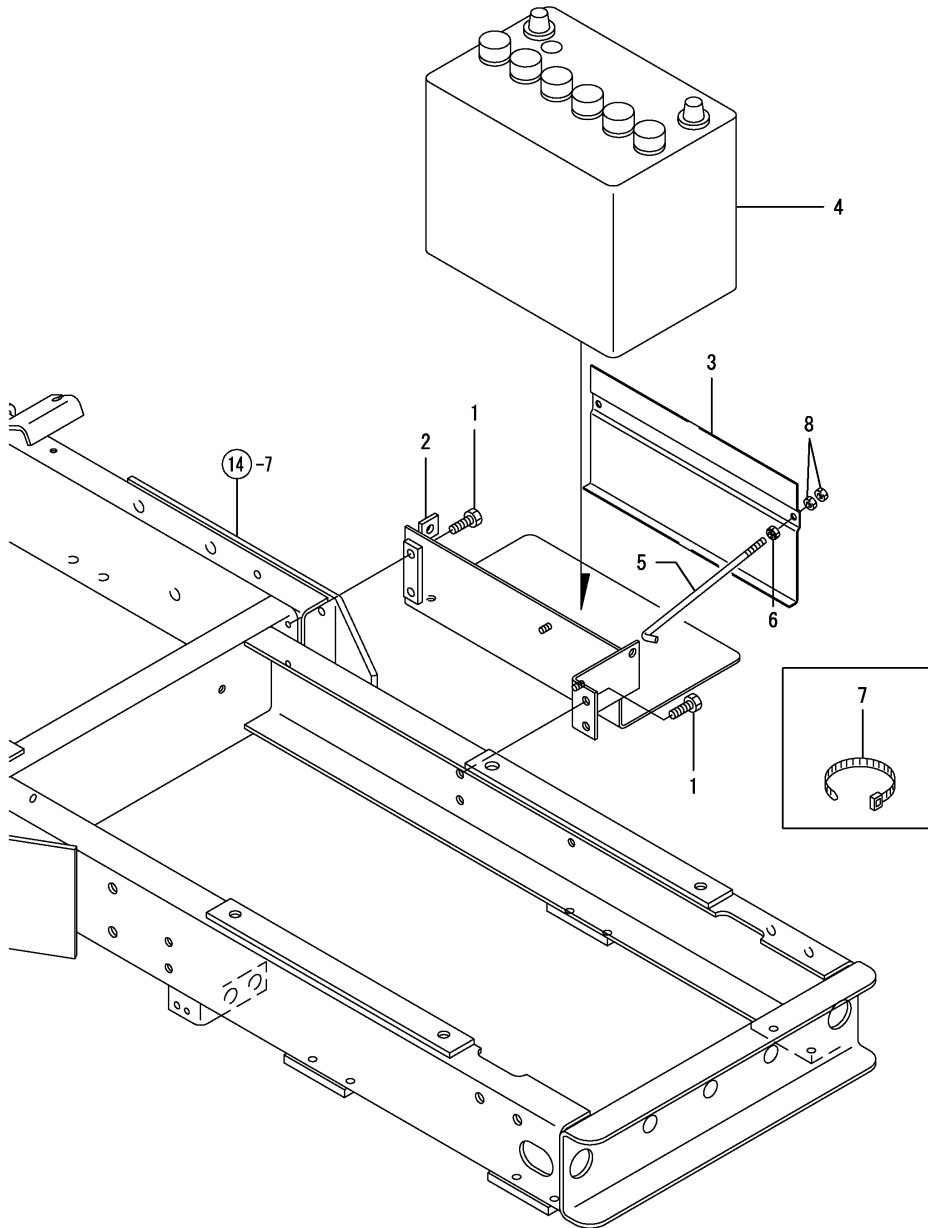


REF.	LEV.	PARTS NO.	DESCRIPTION	QTY						I	R
				(A)	(B)	(C)	(D)	(E)	(F)		
1	1	1W0108-00812	BOLT	2							
2	1	1W3856-50511	CABLE,BATTERY	1							
3	1	1W3981-19870	RUBBER;STARTER COVER	1							
4	1	1W3987-50220	BAND	2							
5	1	1W3991-10340	CLAMP	4							
6	1	1W3991-12851	CLAMP	1							
7	1	165000-71260	CLAMP	1							
8	1	165001-34730	WIRE HARNESS	1							
9	2	1W3854-10080	FUSE-10A ;BLADE-TYPE	3							
10	2	1W3854-10130	FUSE-20A ;ROUND-TYPE	3							
11	2	1W3856-20220	CABLE TERMINAL	1							
12	2	1W3856-20380	CONNECTOR,DIODE	2							
13	2	165001-34700	COVER	1							
14	2	165001-34710	COVER	1							
15	2	165001-34720	WIRE HARNESS	1							
16	1	165001-34740	WIRE HARNESS	1							
17	1	165001-34750	BATTERY CABLE	1							
18	1	194432-51550	COVER, BATTERY	1							
19	1	29622-250001	BAND RF 250	4							

Fig.33. BATTERY

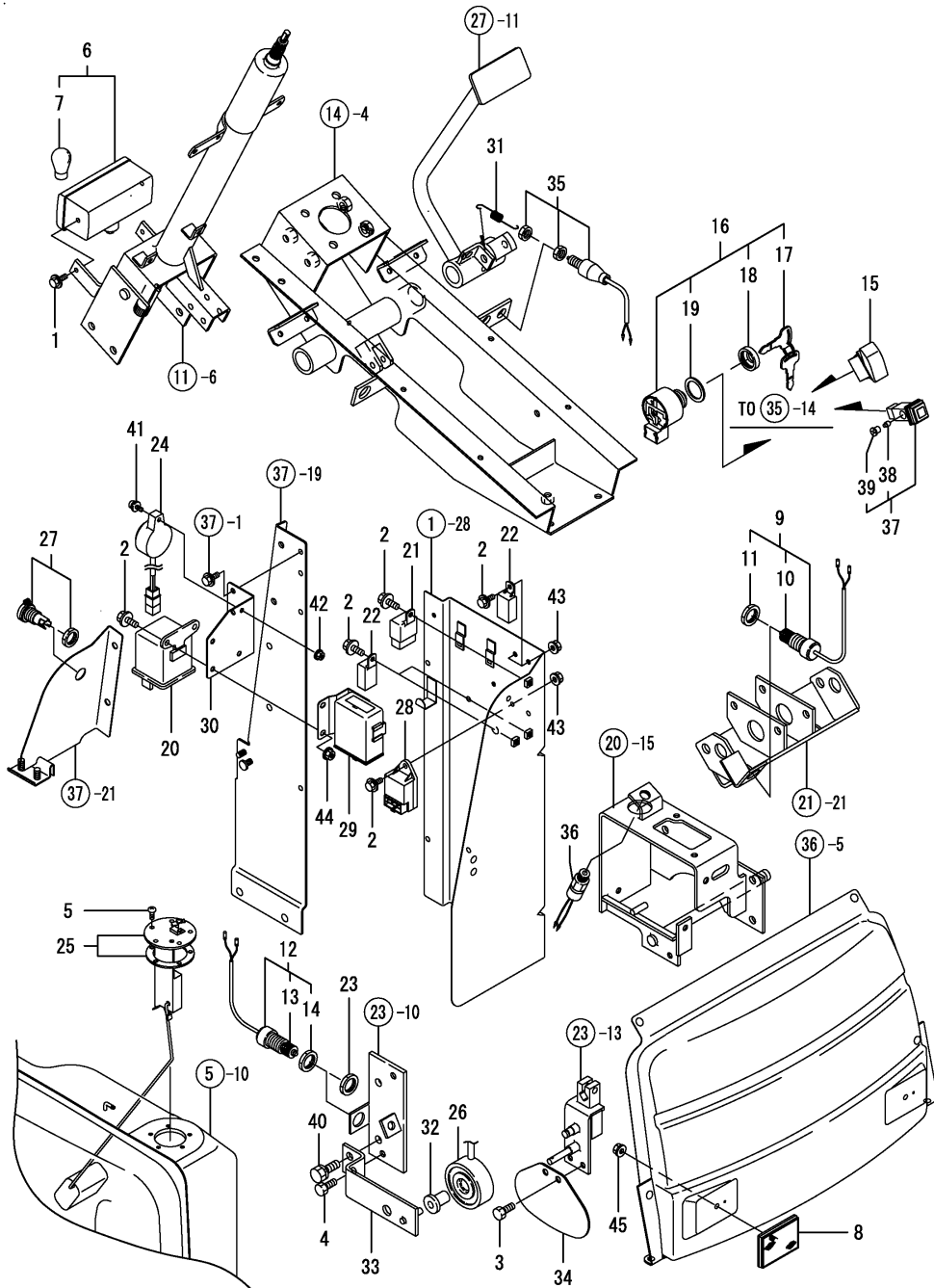
(A)=GE350
(B)=
(C)=

(D)=
(E)=
(F)=



REF.	LEV.	PARTS NO.	DESCRIPTION	QTY						I	R
				(A)	(B)	(C)	(D)	(E)	(F)		
1	1	1W0113-10825	BOLT	4							
2	1	1W3891-01950	BATTERY STAND	1							
3	1	1W3894-10310	BATTERY COVER	1							
4	1	1W3895-10750	PL.ASSY.,BATTERY	1							
5	1	165000-72650	BATTERY ROD	2							
6	1	26347-060002	U-NUT M 6	2							
7	1	29622-250001	BAND RF 250	2							
8	1	1W0201-00006	NUT	4							

Fig.34. SWITCHES



(A)=GE350

(B)=

(C)=

(D)=

(E)=

(F)=

REF.	LEV.	PARTS NO.	DESCRIPTION	QTY						I	R
				(A)	(B)	(C)	(D)	(E)	(F)		
1	1	1W0108-00616	BOLT	2							
2	1	1W0108-00616	BOLT	9							
3	1	1W0108-00814	BOLT	2							
4	1	1W0108-00814	BOLT	1							
5	1	1W0151-40514	SCREW	5							
6	1	1W3851-01910	LAMP ASSY	1							
7	2	1W3851-20700	BULB 23W	1							
8	1	1W3851-50200	REFLECTOR	2							
9	1	1W3852-00891	SWITCH ASSY.	1							
10	2	1W3852-40037	BOOTS	1							
11	2	1W3852-40038	NUT	1							
12	1	1W3852-00891	SWITCH ASSY.	1							
13	2	1W3852-40037	BOOTS	1							
14	2	1W3852-40038	NUT	1							
15	1	1W3852-02100	SWITCH ASSY	1							
16	1	1W3852-02110	SWITCH ASSY	1							
17	2	1W3852-10280	KEY	1							
18	2	165001-21730	RING NUT	1							
19	2	165001-21740	WASHER	1							
20	1	1W3852-30120	FLASHER UNIT	1							
21	1	1W3852-30250	RELAY	1							
22	1	1W3852-30300	RELAY	4							
23	1	1W3852-40038	NUT	1							
24	1	1W3852-50130	BUZZER ASSY	1							
25	1	1W3852-80210	FUEL GAUGE	1							
26	1	1W3853-10021	MAGNET	1							
27	1	1W3857-50360	GIGAR LIGHTER ASSY	1							
28	1	1W3858-70640	CONTROLLER	1							
29	1	1W3858-70750	CONTROLLER QHS	1							
30	1	1W3859-72660	BRACKET	1							
31	1	1W3982-11880	SPRING	1							
32	1	1W3985-11990	BUSH	1							
33	1	1W3995-68740	PLATE	1							
34	1	1W3995-68750	PLATE	1							
35	1	1W4852-20181	SWITCH ASSY	1							
36	1	165000-93380	SWITCH ASSY	1							
37	1	198121-52110	SWITCH	1							
38	2	1W3851-20730	BULB 1.4W,OKSW	1							
39	2	198121-52150	LAMP W/SOCKET	1							
40	1	26013-100252	BOLT W/WASHER M10X25	1							
41	1	26023-050202	SCREW M 5X 20	1							
42	1	26367-050002	NUT M 5	1							
43	1	26367-060002	NUT M 6	2							
44	1	26367-060002	NUT M 6	3							
45	1	26367-050002	NUT M 5	2							

Fig.35. METER

(A)=GE350

(B)=

(C)=

(D)=

(E)=

(F)=

REF.	LEV.	PARTS NO.	DESCRIPTION	QTY						I	R
				(A)	(B)	(C)	(D)	(E)	(F)		
1	1	1W0108-00612	BOLT		2						
2	1	1W0108-00616	BOLT		4						
3	1	1W0111-09012	BOLT		4						
4	1	1W3503-20390	LOWER COVER;REAR		1						
5	1	1W3503-20400	LIGHT MASK		1						
6	1	1W3503-60110	PLATE:METER		1						
7	1	1W3850-40990	METER ASSY		1						
8	2	1W3854-70299	SERVICE PARTS:MC		1						
9	2	1W3854-70300	COVER		1						
10	2	1W3854-70301	VALVE		5						
11	2	1W3854-70302	BULB;12V 2W		1						
12	1	1W3983-40460	CLIP		2						
13	1	165001-34590	DASH BOARD:F		1						
14	1	165001-34600	DASH BOARD:R		1						
15	1	22857-400121	SCREW 24X12,TAPPING		8						

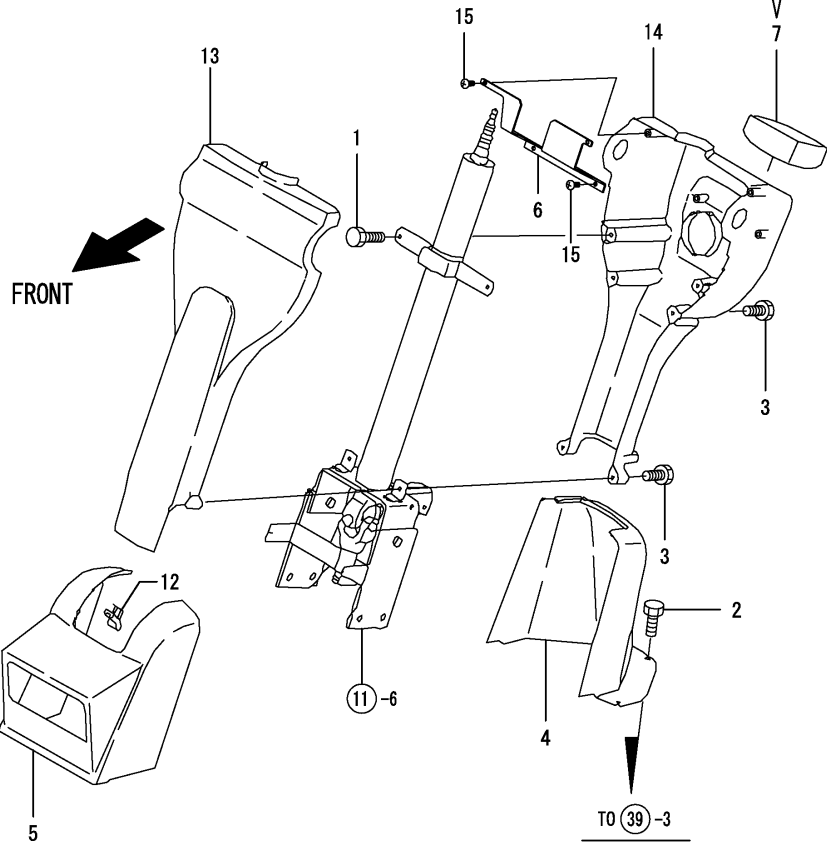
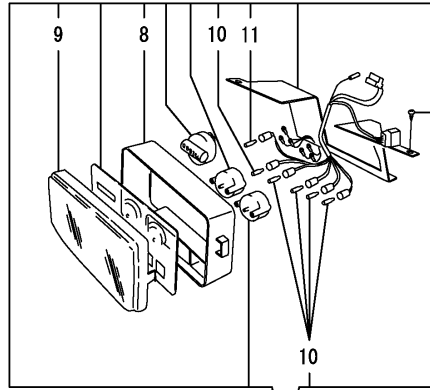


Fig.36. HOOD

(A)=GE350

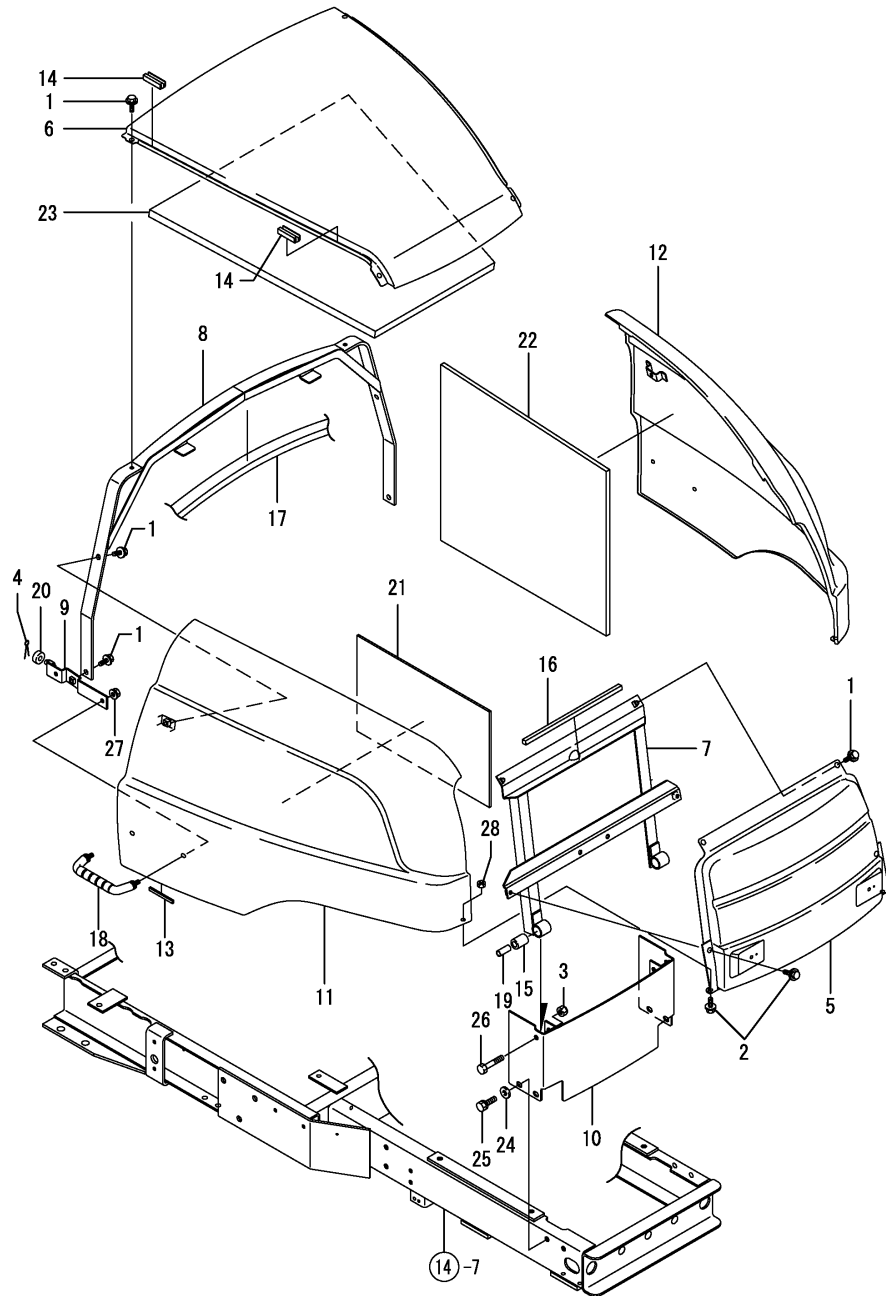
(B)=

(C)=

(D)=

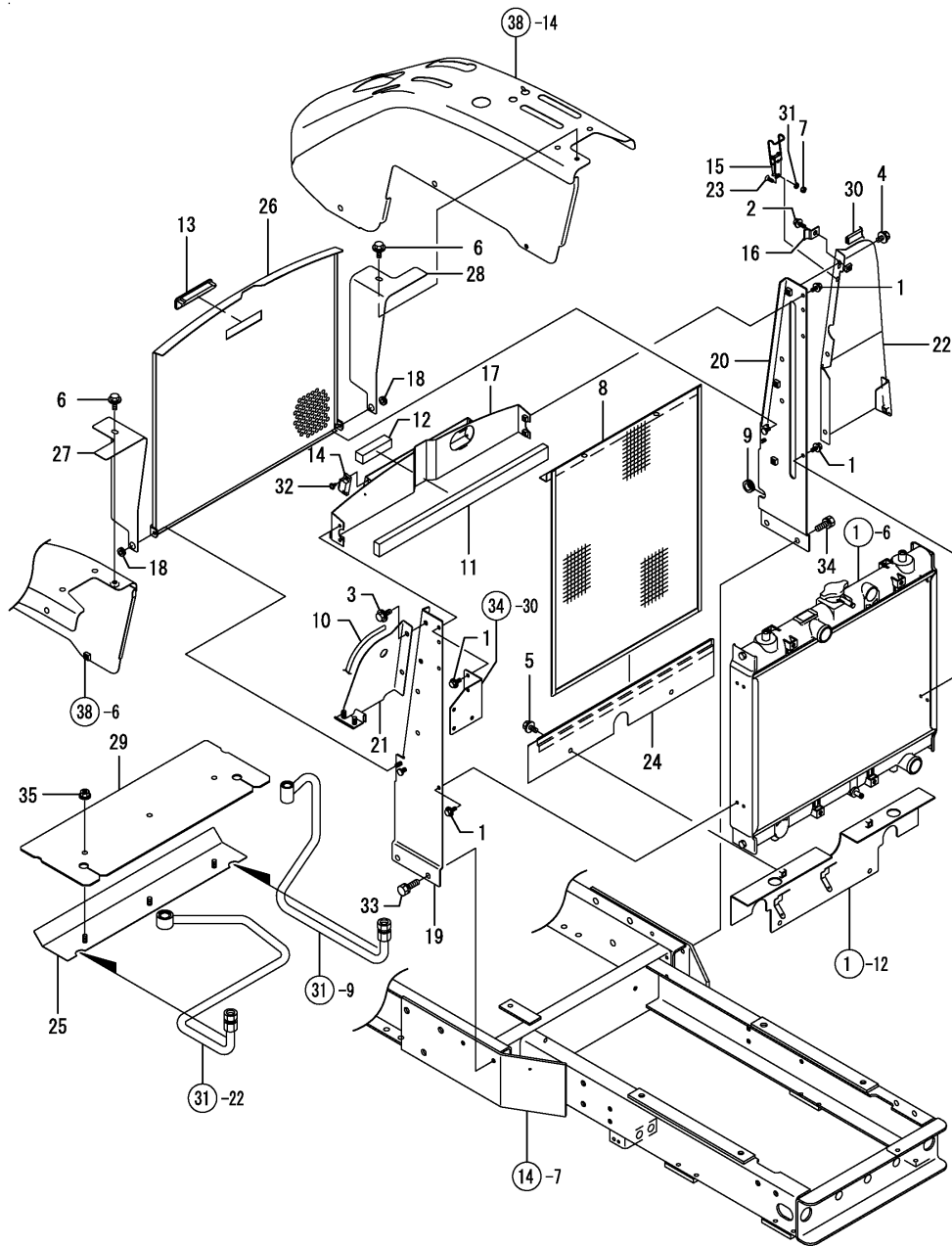
(E)=

(F)=



REF.	LEV.	PARTS NO.	DESCRIPTION	QTY						I	R
				(A)	(B)	(C)	(D)	(E)	(F)		
1	1	1W0108-00820	BOLT	8							
2	1	1W0108-00820	BOLT	4							
3	1	1W0223-00010	NUT	2							
4	1	1W0301-02516	SNAP PIN (JASO 8)	2							
5	1	1W3501-03960	BONNET GRILLE	1							
6	1	1W3501-11330	BONNET	1							
7	1	1W3505-02753	BONNET SUPPORT	1							
8	1	1W3505-02770	BONNET SUPPORT	1							
9	1	1W3505-02781	BONNET SUPPORT	2							
10	1	1W3507-56070	COVER	1							
11	1	1W3781-07220	SIDE GUARD;L	1							
12	1	1W3781-07230	SIDE GUARD;R	1							
13	1	1W3981-15430	RUBBER	1							
14	1	1W3981-21150	RUBBER	4							
15	1	1W3981-21440	RUBBER	2							
16	1	1W3981-31210	SPONGE	1							
17	1	1W3981-31310	SPONGE	1							
18	1	1W3981-80671	GRIP	2							
19	1	1W3992-35760	COLLAR	2							
20	1	165000-89980	BUSH	2							
21	1	165001-34830	SPONGE	1							
22	1	165001-34850	SPONGE	1							
23	1	165001-34860	SPONGE	1							
24	1	22137-100000	WASHER 10,POLISHED	4							
25	1	26013-100202	BOLT W/WASHER M10X20	4							
26	1	26116-100552	BOLT M10X 55 PLATED	2							
27	1	26367-080002	NUT, 8	4							
28	1	26367-080002	NUT, 8	2							

Fig.37. SHUT PANEL



(A)=GE350

(B)=

(C)=

(D)=

(E)=

(F)=

REF.	LEV.	PARTS NO.	DESCRIPTION	QTY						I	R
				(A)	(B)	(C)	(D)	(E)	(F)		
1	1	1W0108-00612	BOLT	8							
2	1	1W0108-00620	BOLT	1							
3	1	1W0108-00816	BOLT	2							
4	1	1W0108-00816	BOLT	3							
5	1	1W0108-00820	BOLT	2							
6	1	1W0108-09007	BOLT M8X14,FLANGE HD	2							
7	1	1W0201-00005	NUT	2							
8	1	1W3101-40910	NET	1							
9	1	1W3981-10100	RUBBER	1							
10	1	1W3981-17710	RUBBER	1							
11	1	1W3981-33690	SPONGE	1							
12	1	1W3981-34730	SPONGE	1							
13	1	1W3981-81770	GRIP	1							
14	1	1W3983-30290	KNOB	2							
15	1	1W3983-30320	HINGE	1							
16	1	1W3991-11311	CLAMP	1							
17	1	165001-19010	PLATE	1							
18	1	165001-20440	RUBBER	2							
19	1	165001-34050	RADIATOR STAY	1							
20	1	165001-34060	RADIATOR STAY	1							
21	1	165001-34070	PLATE	1							
22	1	165001-34080	PLATE	1							
23	1	26577-050122	SCREW M 5X 12	2							
24	1	165001-34100	PLATE	1							
25	1	165001-34120	PLATE	1							
26	1	165001-34580	FRONT MASK	1							
27	1	165001-34640	COVER	1							
28	1	165001-34650	COVER	1							
29	1	165001-34810	RUBBER	1							
30	1	165001-34820	RUBBER	1							
31	1	22217-050000	SPRING WASHER 5	2							
32	1	22857-400161	SCREW M4X16,TAPPING	4							
33	1	26013-100202	BOLT W/WASHER M10X20	2							
34	1	26013-100202	BOLT W/WASHER M10X20	2							
35	1	26367-080002	NUT, 8	3							

Fig.38. FENDER

(A)=GE350

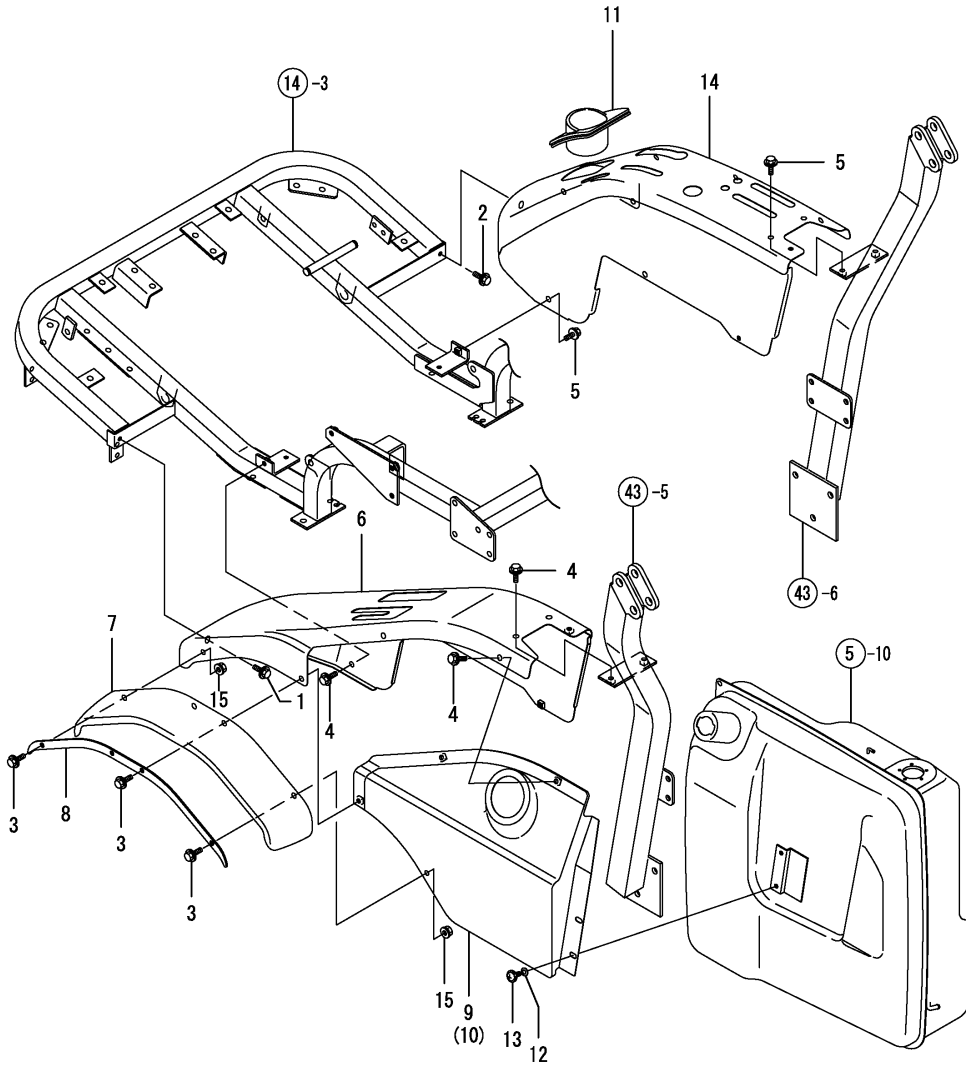
(B)=

(C)=

(D)=

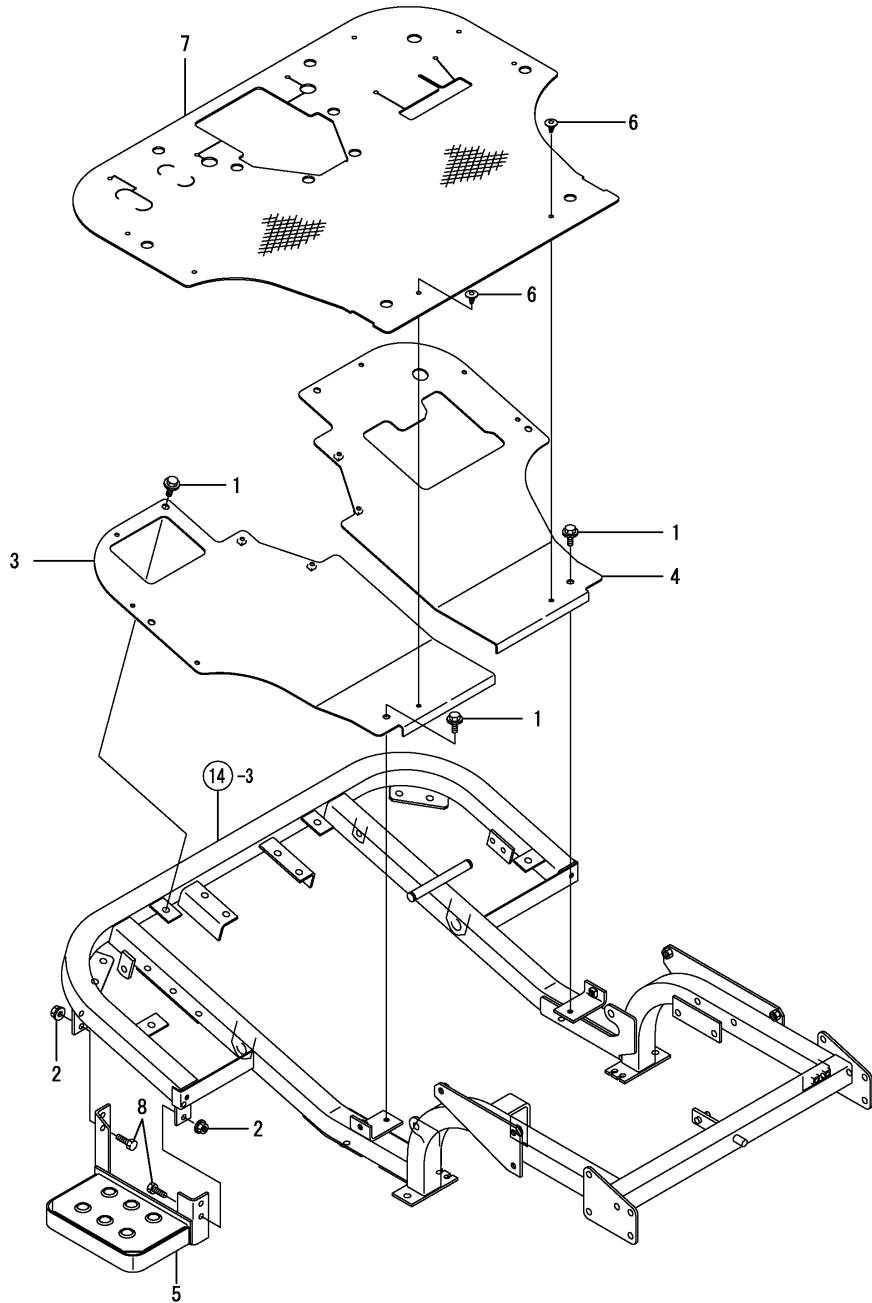
(E)=

(F)=



REF.	LEV.	PARTS NO.	DESCRIPTION	QTY						I	R
				(A)	(B)	(C)	(D)	(E)	(F)		
1	1	1W0108-00820	BOLT	3							
2	1	1W0108-00820	BOLT	3							
3	1	1W0108-00820	BOLT	6							
4	1	1W0108-09007	BOLT M8X14,FLANGE HD	5							
5	1	1W0108-09007	BOLT M8X14,FLANGE HD	6							
6	1	1W3551-05730	PL,ASSY,FENDER:L	1							
7	1	1W3551-11970	FENDER	2							
8	1	1W3551-71760	SET PLATE	2							
9	1	1W3781-07420	PL,ASSY,SIDE GUARD;L	1							
10	1	1W3781-07250	SIDE GUARD;R	1							
11	1	1W3981-20410	RUBBER	1							
12	1	1W3982-11210	SPRING	4							
13	1	165000-51540	BOLT	4							
14	1	165001-27960	FENDER	1							
15	1	26367-080002	NUT, 8	4							

Fig.39. STEP



(A)=GE350
(B)=
(C)=

(D)=
(E)=
(F)=

REF.	LEV.	PARTS NO.	DESCRIPTION	QTY						I	R
				(A)	(B)	(C)	(D)	(E)	(F)		
1	1	1W0108-00816	BOLT	6							
2	1	1W0215-00008	NUT	4							
3	1	1W3556-05070	STEP;L	1							
4	1	1W3556-05150	STEP;R	1							
5	1	1W3556-05290	STEP	1							
6	1	1W3983-40240	CLIP	10							
7	1	165000-48560	RUBBER	1							
8	1	26116-080202	BOLT M 8X 20 PLATED	4							

Fig.40. DRIVER SEAT

(A)=GE350

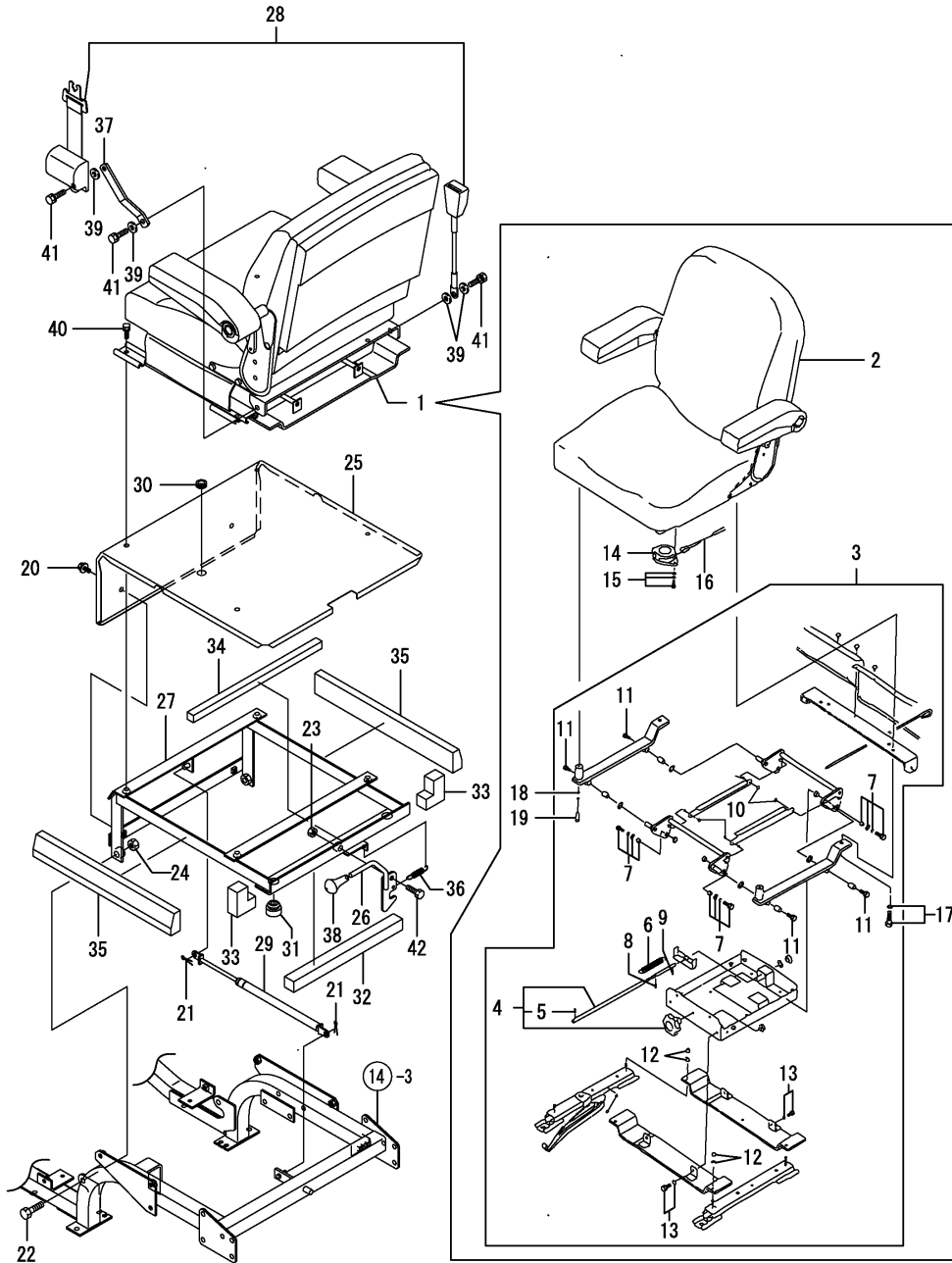
(B)=

(C)=

(D)=

(E)=

(F)=



REF.	LEV.	PARTS NO.	DESCRIPTION	QTY						I	R
				(A)	(B)	(C)	(D)	(E)	(F)		
1	1	1W3550-70411	SEAT ASSY	1							
2	2	1W3557-00581	SEAT ASSY	1							
3	2	1W3550-80510	SUSPENSION ASSY	1							
4	3	1W3557-40283	GRIP ASSY	1							
5	4	22351-040020	SPRING PIN 4X20	1							
6	3	1W3557-40282	SPRING	2							
7	3	1W0118-00825	BOLT	4							
8	3	1W0303-00414	PIN	1							
9	3	22351-040010	SPRING PIN 4X10	1							
10	3	1W0156-00516	SCREW	4							
11	3	26207-080162	BOLT M 8X 16 PLATED	4							
12	3	26367-080002	U-NUT M 8	8							
13	3	1W0114-00825	BOLT	4							
14	2	1W3557-40286	SEAT SWITCH SAFETY	1							
15	2	1W0108-09001	BOLT	2							
16	2	1W3557-40287	HARNESSE SEAT	1							
17	2	26013-080302	BOLT M 8X 30	2							
18	2	22217-080000	SPRING WASHER 8	2							
19	2	26116-080652	BOLT M 8X 65 PLATED	2							
20	1	1W0108-00816	BOLT	2							
21	1	1W0301-03225	SPLIT PIN	2							
22	1	26116-120352	BOLT M12X 35 PLATED	2							
23	1	26717-100002	NUT M10	1							
24	1	26717-120002	NUT M12	2							
25	1	1W3552-52430	FLOOR GE28	1							
26	1	1W3556-30100	HOOK;SEAT LOCK	1							
27	1	1W3557-52220	BRACKET	1							
28	1	1W3558-50150	BELT, SEAT	1							
29	1	1W3789-10240	DUMPER	1							
30	1	1W3981-10100	RUBBER	1							
31	1	1W3981-10501	RUBBER	2							
32	1	1W3981-31330	SPONGE	1							
33	1	1W3981-35010	SPONGE;UNDER SEAT	2							
34	1	1W3981-35140	SPONGE	1							
35	1	1W3981-35150	SPONGE	2							
36	1	1W3982-14540	SPRING	1							
37	1	1W3995-68760	PLATE	1							
38	1	1W4981-80100	GRIP	1							
39	1	22137-100000	WASHER 10,POLISHED	4							
40	1	26013-080202	BOLT W/WASHER M8X20	4							
41	1	26013-100252	BOLT W/WASHER M10X25	3							
42	1	26116-100252	BOLT M10X 25 PLATED	1							

Fig.41. LABEL

(A)=GE350

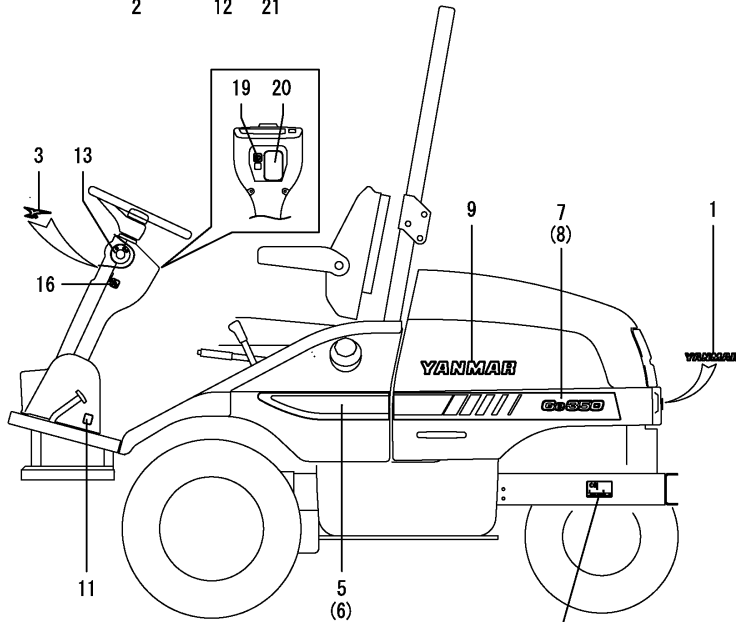
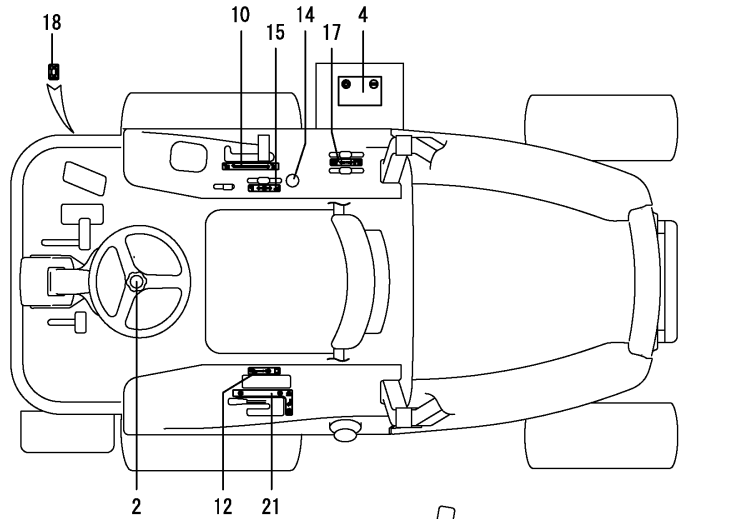
(B)=

(C)=

(D)=

(E)=

(F)=



LABEL MODEL
(NOT SOLD PART)

REF.	LEV.	PARTS NO.	DESCRIPTION	QTY						I	R
				(A)	(B)	(C)	(D)	(E)	(F)		
1	1	1C6720-95030	MARK B,YANMAR	1							
2	1	1W3901-01400	NAME PLATE;HANDLE	1							
3	1	165000-90960	NAME PLATE	1							
4	1	165001-28500	CONTROL UNIT	1							
5	1	165001-34760	NAME PLATE	1							
6	1	165001-34770	NAME PLATE	1							
7	1	165001-34780	NAME PLATE	1							
8	1	165001-34790	NAME PLATE	1							
9	1	198124-65630	MARK (YANMAR)	2							
10	1	1W3901-73600	INDICATING PLATE;PTO	1							
11	1	1W3901-91690	CAUTION PLATE	1							
12	1	1W3901-97710	CAUTION PLATE;PARK	1							
13	1	1W3901-98510	CAUTION PLATE;KEY SW	1							
14	1	1W3903-72000	INDICATING PLATE	1							
15	1	1W3903-72400	INDICATING MARK	1							
16	1	165001-28430	CAUTION PLATE	1							
17	1	165001-28440	INDICATING PLATE	1							
18	1	165001-28450	INDICATING PLATE	1							
19	1	165001-28470	INDICATING PLATE	1							
20	1	165001-34800	CAUTION PLATE	1							
21	1	1W3901-73650	INDICATING PLATE	1							

Fig.42. LABEL(SAFETY

(A)=GE350

(B)=

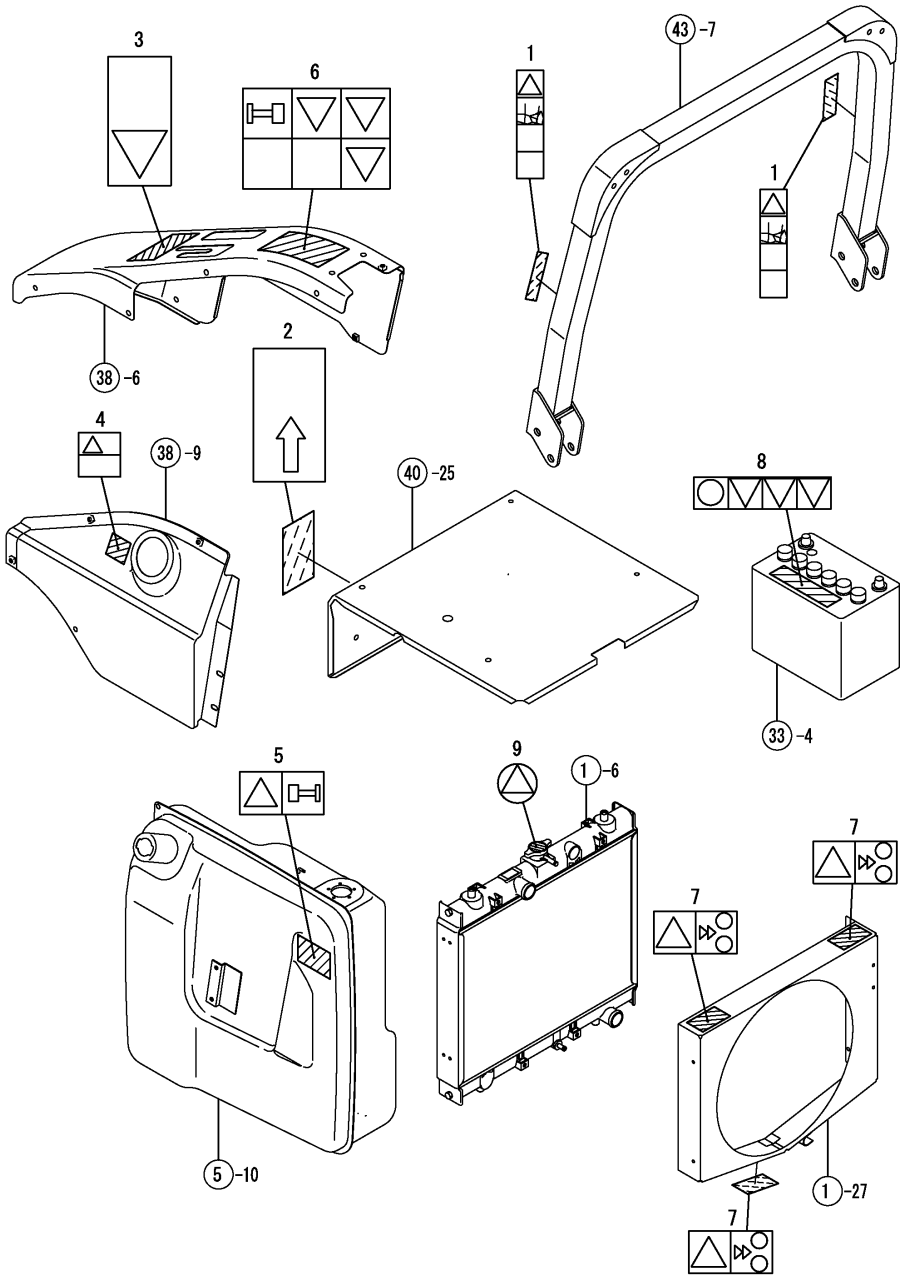
(C)=

(D)=

(E)=

(F)=

REF.	LEV.	PARTS NO.	DESCRIPTION	QTY						I	R	
				(A)	(B)	(C)	(D)	(E)	(F)			
1	1	1W3901-96900	CAUTION PLATE		2							
2	1	1W3901-96910	CAUTION PLATE		1							
3	1	1W3901-98260	CAUTION PLATE		1							
4	1	1W4909-92430	CAUTION MARK		1							
5	1	1W4909-92440	CAUTION MARK		1							
6	1	1W4909-92450	CAUTION MARK		1							
7	1	1W4909-92470	CAUTION MARK		3							
8	1	1W4909-92480	CAUTION MARK		1							
9	1	1W4909-92490	CAUTION MARK		1							



N:Old $\xrightarrow{\text{Yes}}$ New, Q:Old $\xrightarrow{\text{No}}$ New, R:Old $\xrightarrow{\text{Yes}}$ New, S:Old $\xrightarrow{\text{No}}$ New, W:Add, Z:Discontinued, F:Interchangeable by set, K:Q'ty Change
 (C)Copy Rights YANMAR CO.,LTD.

Fig.43. SAFETY FRAME

(A)=GE350

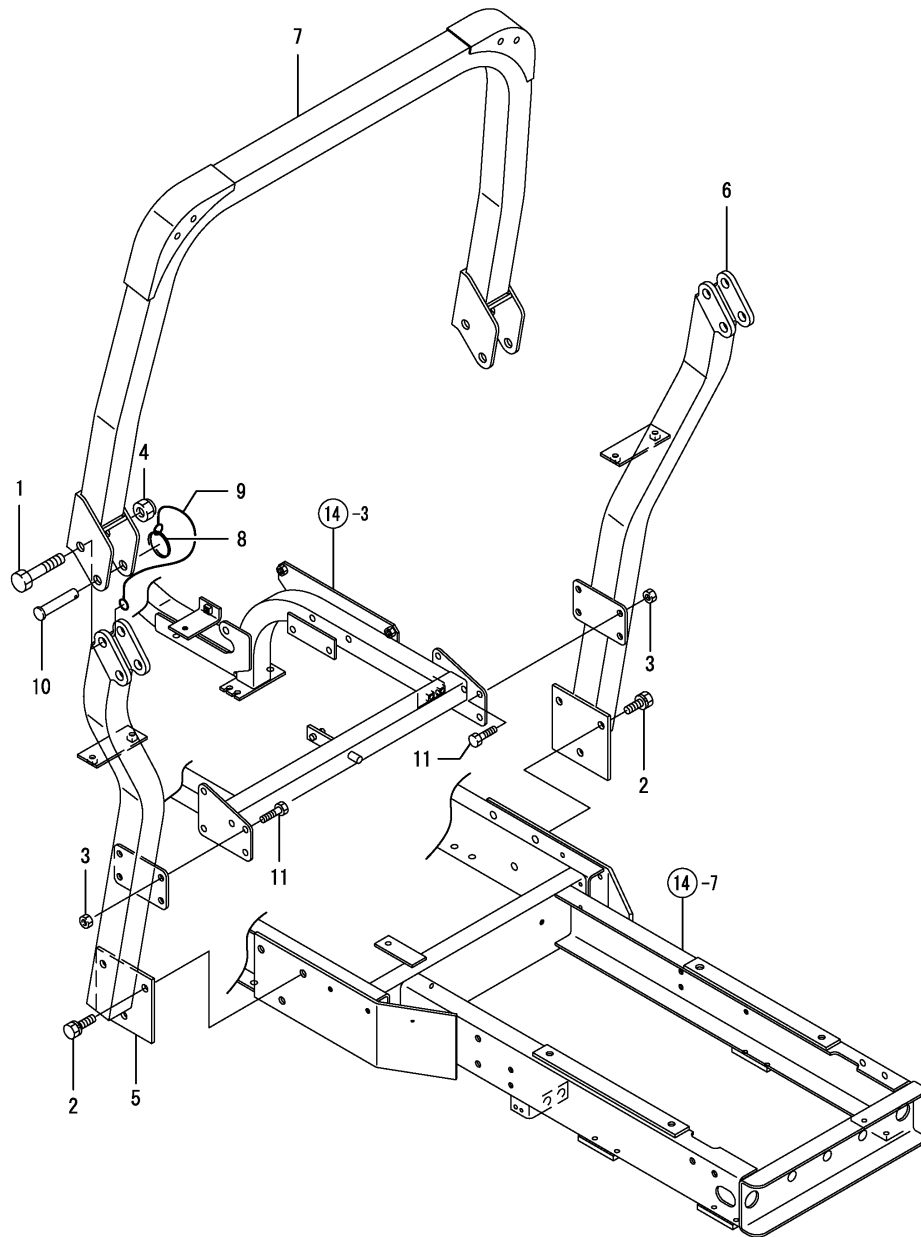
(B)=

(C)=

(D)=

(E)=

(F)=



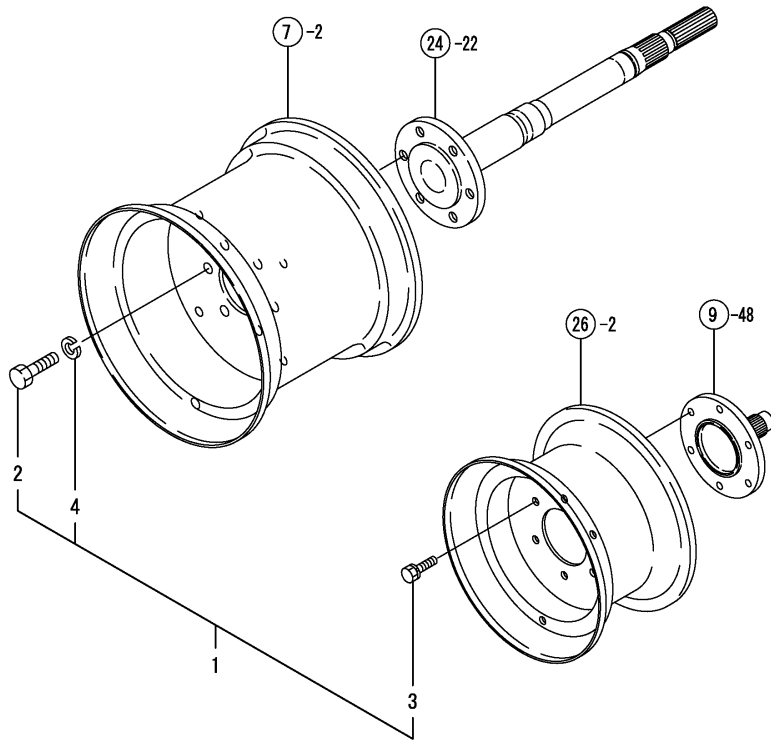
REF.	LEV.	PARTS NO.	DESCRIPTION	QTY						I	R
				(A)	(B)	(C)	(D)	(E)	(F)		
1	1	1W0101-09502	BOLT		2						
2	1	1W0113-11225	BOLT		6						
3	1	1W0215-00010	NUT		6						
4	1	1W0224-09003	NUT		2						
5	1	1W3783-06890	FRAME		1						
6	1	1W3783-06910	FRAME		1						
7	1	1W3783-08100	PL,ASSY,FRAME		1						
8	1	1W3982-13410	SPRING		2						
9	1	1W3982-30070	WIRE;ROPS		2						
10	1	1W3996-11460	PIN		2						
11	1	26116-100252	BOLT M10X 25 PLATED		6						

Fig.44. BOLT

(A)=GE350
(B)=
(C)=

(D)=
(E)=
(F)=

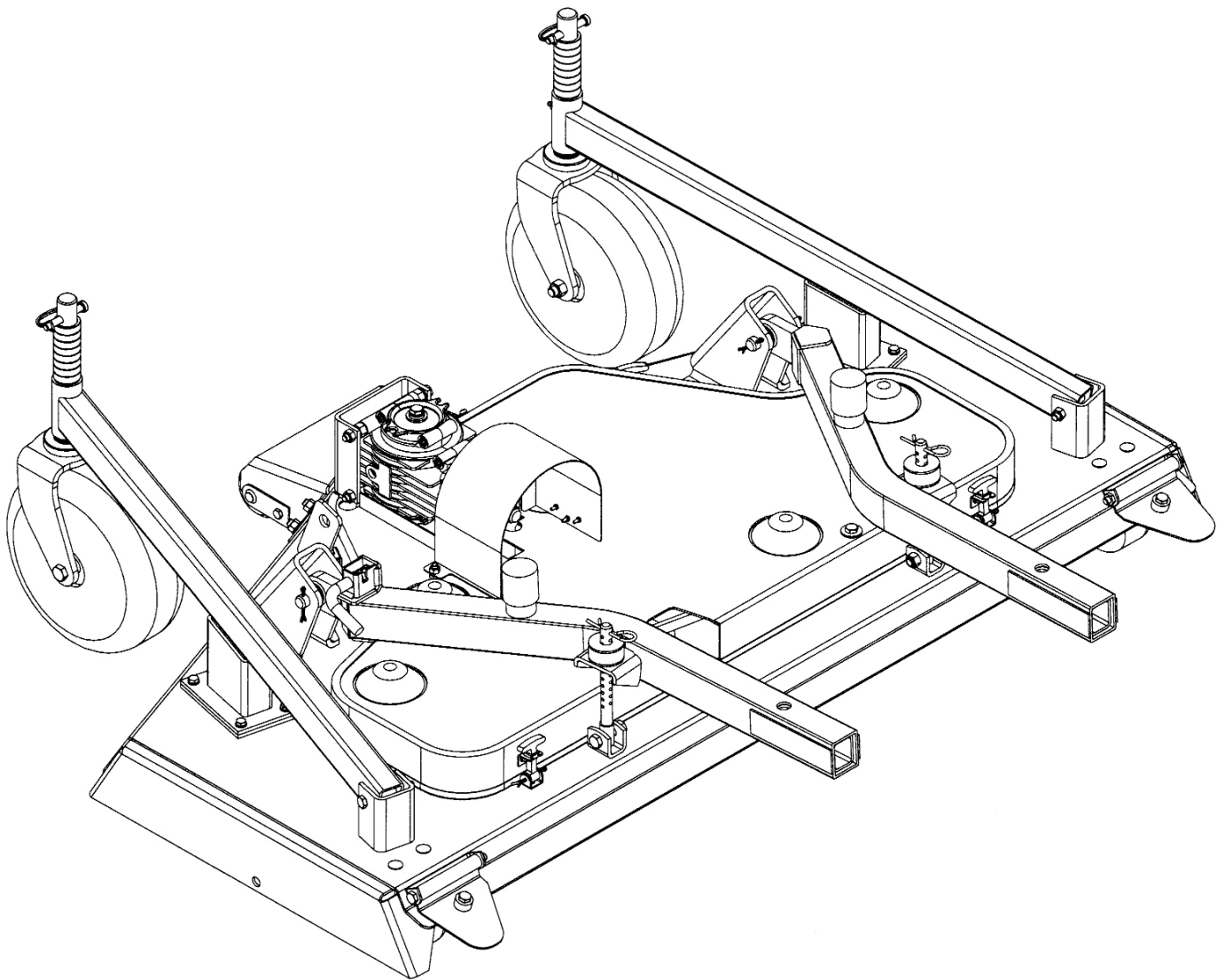
REF.	LEV.	PARTS NO.	DESCRIPTION	QTY						I	R
				(A)	(B)	(C)	(D)	(E)	(F)		
1	1	1W3990-10390	BOLT KIT	1							
2	2	1W0101-09439	BOLT	12							
3	2	1W0113-11020	BOLT	12							
4	2	22217-140000	SPRING WASHER 14	12							



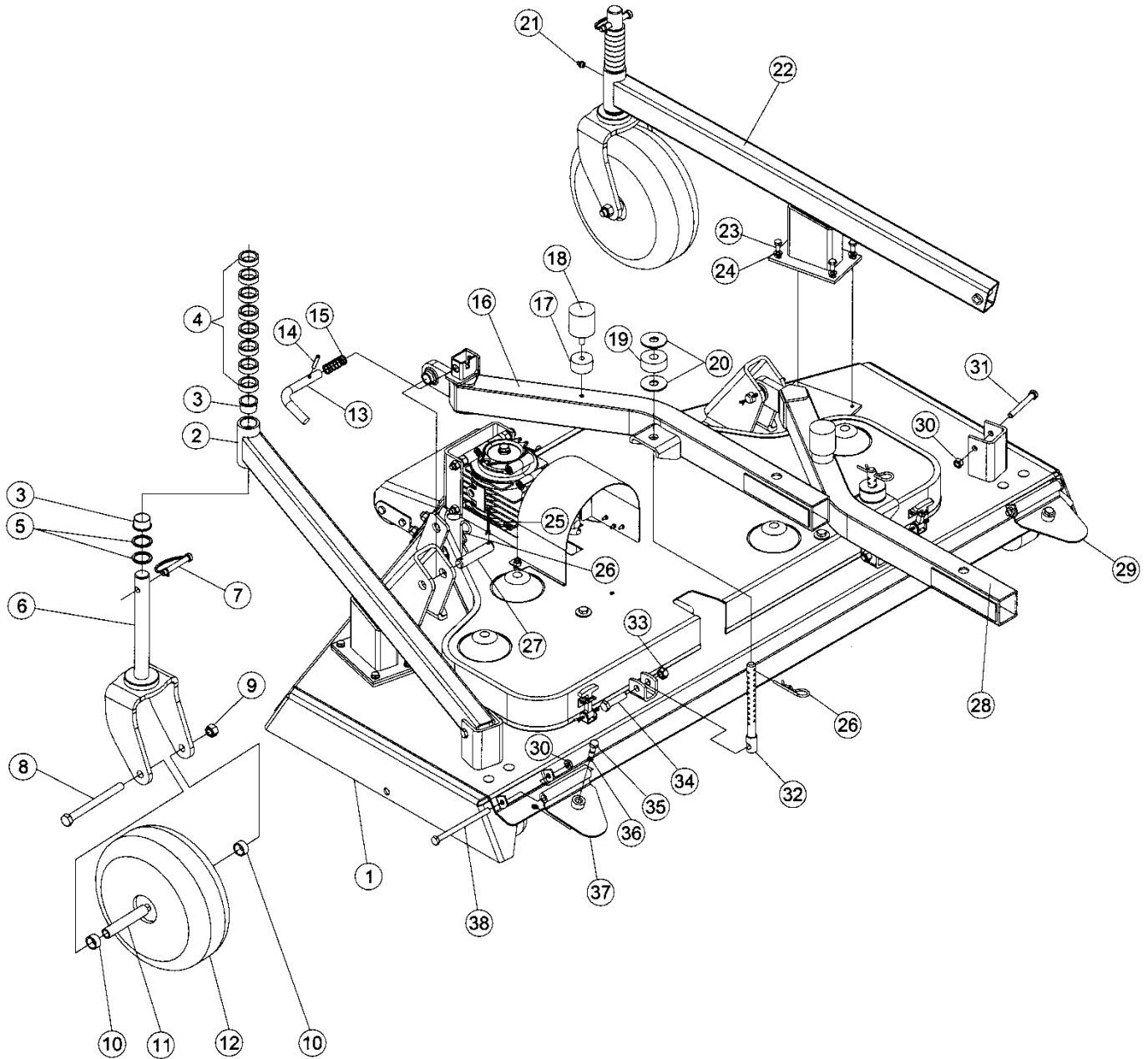
ROTOMECH

CYCLONE YANC50

Rasaerba a 3 giranti ad asse verticale
Three spindle grooming mower
Tondeuse à 3 lames à axe vertical
3 Sichel-Rotationsmäher



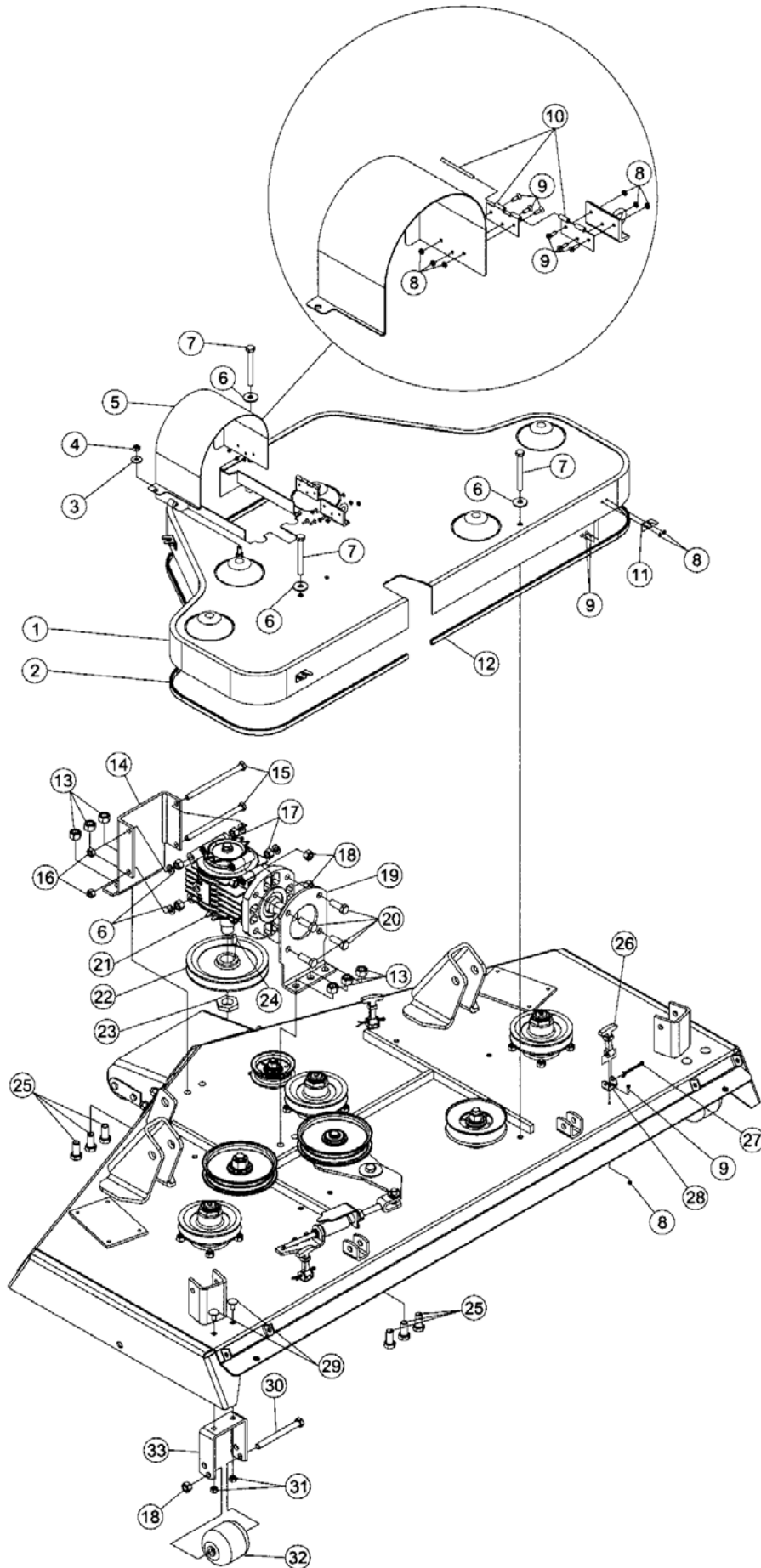
Rotomec: Cyclone 'YANC50'



Rotomec: Cyclone 'YANC50'

N.	COD.	DESCRIZIONE	DESCRIPTION	DESCRIPTION	BESCHREIBUNG	N.
1	0225010	Telaio v.150 scarico posteriore	Frame v.150 rear discharge	Châssis v.150 éjection arrière	Heckauswurfrahmen v.150	1
	0225012	Telaio v.180 scarico posteriore	Frame v.180 rear discharge	Châssis v.180 éjection arrière	Heckauswurfrahmen v.180	1
2	0125460	Braccio ruota sinistro v.150	Left wheel arm v.150	Bras de roue gauche v.150	Linker Radarm v.150	1
	0225460	Braccio ruota sinistro v.180	Left wheel arm v.180	Bras de roue gauche v.180	Linker Radarm v.180	1
3	0025506	Boccola	Bushing	Douille	Büchse	4
4	0025500	Distanziale	Spacer	Entretoise	Distanzstück	16
5	0025502	Distanziale basso	Short spacer	Entretoise basse	Niedriges Distanzstück	4
6	0019460	Forcella porta ruota	Wheel yoke	Fourche pour roue	Gabel für Rad	2
7	0025504	Spina di sicurezza	Pin	Goupille	Haltestift	2
8	0006619	Vite TE M14x150	Bolt TE M14x150	Vis TE M14x150	Schraube TE M14x150	2
9	0030358	Dado M14	Nut M14	Ecrou M14	Mutter M14	16
10	0006972	Distanziale esterno ruota pneumatica	Air tire outer spacer	Entretoise externe pour roue pneumatique	Außenluftreifendistanzstück	4
11	0006584	Distanziale interno	Inner spacer	Entretoise interne	Innendistanzstück	2
12	0006964	Ruota pneumatica 11"	Air tire 11"	Roue pneumatique 11"	Luftreifen 11"	2
13	0019565	Perno sollevamento	Lift pin	Tourillon pour soulèvement	Abhebungzapfen	1
14	0027290	Spina elastica Ø 6x35	Roll pin Ø 6x35	Goupille élastique Ø 6x35	Spannstift Ø 6x35	1
15	0019567	Molla	Spring	Ressort	Feder	1
16	0125550	Braccio sinistro di attacco v.150	Left hitch arm v.150	Bras attelage gauche v.150	Linker Anschlussarm v.150	1
	0225550	Braccio sinistro di attacco v.180	Left hitch arm v.180	Bras attelage gauche v.180	Linker Anschlussarm v.180	1
17	0025583	Distanziale v.150	Spacer v.150	Entretoise v.150	Distanzstück v.150	1
	0051776	Distanziale v.180	Spacer v.180	Entretoise v.180	Distanzstück v.180	1
18	0025582	Tampone in gomma	Rubber pad	Tampon en caoutchouc	Gummistopfen	2
19	0025635	Tampone di ammortizzamento	Anti-shock pad	Tampon d'amortissement	Stoßdämpferstopfen	2
20	0017354	Rondella piana Ø16	Flat washer Ø16	Rondelle plate Ø16	Flache Scheibe Ø16	4
21	0001065	Ingrassatore	Grease fitting	Graisseur	Schmiernippel	4
22	0125460	Braccio ruota destro v.150	Right wheel arm v.150	Bras de roue droit v.150	Rechter Radarm v.150	1
	0225460	Braccio ruota destro v.180	Right wheel arm v.180	Bras de roue droit v.180	Rechter Radarm v.180	1
23	0046454	Vite TE M8x16	Bolt TE M8x16	Vis TE M8x16	Schraube TE M8x16	8
24	0019451	Rosetta elastica Ø8	Lock washer Ø8	Rondelle élastique Ø8	Springring Ø8	8
25	0057158	Copiglia Ø4x45	Pin Ø4x45	Goupille Ø4x45	Splint Ø4x45	2
26	0091507	Copiglia a molla Ø4	Cotter pin Ø4	Goupille ressort Ø4	Federsplint Ø4	4
27	0019560	Perno fissa bracci di attacco	Hitch arm pin	Tourillon pour bras attelage	Zapfen für Anschlussarm	2
28	0125570	Braccio destro di attacco v.150	Right hitch arm v.150	Bras attelage droit v.150	Rechter Anschlussarm v.150	1
	0225570	Braccio destro di attacco v.180	Right hitch arm v.180	Bras attelage droit v.180	Rechter Anschlussarm v.180	1
29	0119590	Lamiera di protezione dx v.150	Right protection v.150	Protection droite v.150	Rechter Schild v.150	1
	0119596	Lamiera di protezione dx v.180	Right protection v.180	Protection droite v.180	Rechter Schild v.180	1
30	0030156	Dado M10	Nut M10	Ecrou M10	Mutter M10	4
31	0015236	Vite TE M10x80	Bolt TE M10x80	Vis TE M10x80	Schraube TE M10x80	2
32	0017351	Perno regolazione altezza di taglio	Cutting height adjustment pin	Tourillon pour régler la hauteur de coupe	Zapfen für Schnitteinstellung	2
33	0030064	Dado M12	Nut M12	Ecrou M12	Mutter M12	2
34	0030054	Vite TE M12x50	Bolt TE M12x50	Vis TE M12x50	Schraube TE M12x50	2
35	0019602	Vite fissa protezione	Protection bolt	Vis de fixation protection	Schildbefestigungsschraube	2
36	0019603	Guarnizione OR	OR Gasket	Joint d'étanchéité OR	O-Ring Dichtung	2
37	0219590	Lamiera di protezione sx v.150	Left protection v.150	Protection gauche v.150	Linker Schild v.150	1
	0219596	Lamiera di protezione sx v.180	Left protection v.180	Protection gauche v.180	Linker Schild v.180	1
38	0101215	Vite TE M10x140 per v.150	Bolt TE M10x140 for v.150	Vis TE M10x140 pour v.150	Schraube TE M10x140 für v.150	2
	0017528	Vite TE M10x170 per v.150	Bolt TE M10x170 for v.150	Vis TE M10x170 pour v.150	Schraube TE M10x170 für v.150	2

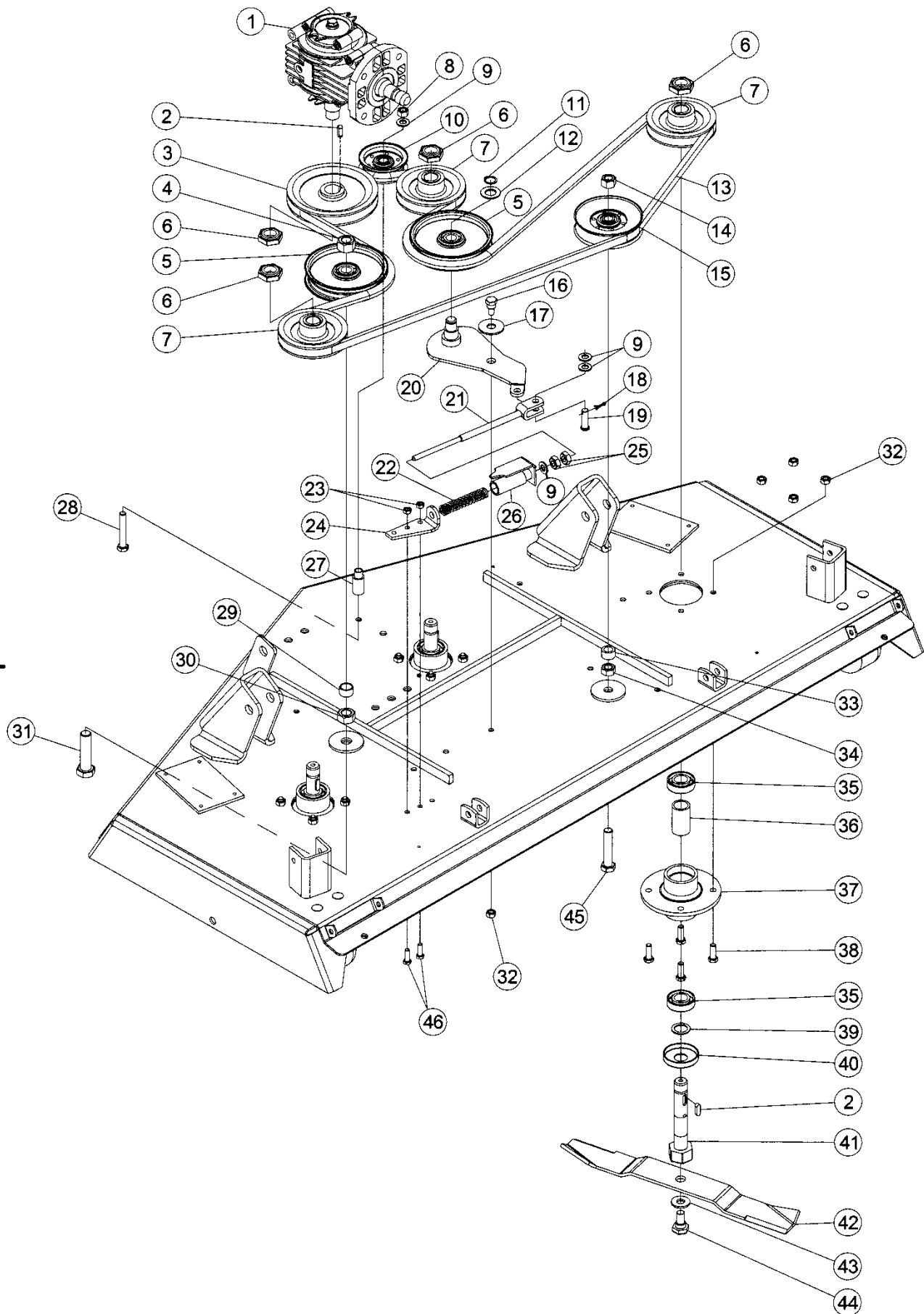
Rotomec: Cyclone 'YANC50'



Rotomec: Cyclone 'YANC50'

N.	COD.	DESCRIZIONE	DESCRIPTION	DESCRIPTION	BESCHREIBUNG	N.
1	0125340	Lamiera copricinghia v.150	Belt shield v.150	Protection courroie v.150	Riemenschutz v.150	1
	0225340	Lamiera copricinghia v.180	Belt shield v.180	Protection courroie v.180	Riemenschutz v.180	1
2	0125364	Profilo in gomma corto v.150	Short rubber strip v.150	Bande caoutchouc courte v.150	Kurzer Gummiband v.150	1
	0225364	Profilo in gomma corto v.180	Short rubber strip v.180	Bande caoutchouc courte v.180	Kurzer Gummiband v.180	1
3	0015230	Rondella piana Ø18	Flat washer Ø18	Rondelle plate Ø18	Flache Scheibe Ø18	1
4	0001807	Dado M8	Nut M8	Ecrou M8	Mutter M8	1
5	0025382	Lamiera protezione PDF v.150	PTO protection v.150	Protection P.D.F. v.150	Zapfwelleschild v.150	1
	0025387	Lamiera protezione PDF v.180	PTO protection v.180	Protection P.D.F. v.180	Zapfwelleschild v.180	1
6	0002034	Rondella piana Ø10	Flat washer Ø10	Rondelle plate Ø10	Flache Scheibe Ø10	7
7	0026185	Vite TE M10x90	Bolt TE M10x90	Vis TE M10x90	Schraube TE M10x90	3
8	0017246	Dado M4	Nut M4	Ecrou M4	Mutter M4	14
9	0017245	Vite TS M4x14	Bolt TS M4x14	Vis TS M4x14	Schraube TS M4x14	14
10	0025392	Cerniera completa	Complete hinge	Charnière complète	Komplettes Scharniergelenk	1
11	0017242	Attacco tirante cofano mini al carter	Belt shield latch bracket	Attelage tirant capot au carter	Schutzerhaubezustange	4
12	0125362	Profilo in gomma lungo v.150	Long rubber strip v.150	Bande caoutchouc longue v.150	Langer Gummiband v.150	1
	0225362	Profilo in gomma lungo v.180	Long rubber strip v.180	Bande caoutchouc longue v.180	Langer Gummiband v.180	1
13	0032618	Vite TE M14x30	Bolt TE M14x30	Vis TE M14x30	Schraube TE M14x30	6
14	0019125	Supporto posteriore scatola	Rear gearbox support	Soutien boîtier arrière	Hintertriebelerager	1
15	0050013	Vite TE M10x160	Bolt TE M10x160	Vis TE M10x160	Schraube TE M10x160	2
16	0030156	Dado M4	Nut M4	Ecrou M4	Mutter M4	2
17	0003038	Dado M12	Nut M12	Ecrou M12	Mutter M12	4
18	0030064	Dado M12 v.150	Nut M12 v.150	Ecrou M12 v.150	Mutter M12 v.150	6
	0030064	Dado M12 v.180	Nut M12 v.180	Ecrou M12 v.180	Mutter M12 v.180	7
19	0019120	Supporto anteriore scatola	Front gearbox support	Soutien boîtier antérieur	Vordertriebelerager	1
20	0007255	Vite TE 12x35	Bolt TE 12x35	Vis TE 12x35	Schraube TE 12x35	4
21	0500686	Gruppo scatola completo	Complete gearbox	Boîtier complet	Komplette Gehäusegruppe	1
22	0017460	Puleggia SPB 160x1	Pulley SPB 160x1	Poulie SPB 160x1	Riemenscheibe SPB 160x1	1
23	0006698	Dado M25	Nut M25	Ecrou M25	Mutter M25	1
24	0006639	Linguetta 8x7x25	Key 8x7x25	Clavette 8x7x25	Schlüssel 8x7x25	1
25	0032618	Vite TE M14x30	Bolt TE M14x30	Vis TE M14x30	Schraube TE M14x30	6
26	0017241	Tirante cofano mini	Belt shield latch	Tirant capot	Haubezustange	4
27	0112087	Copiglia Ø4x50	Pin Ø4x50	Goupille Ø4x50	Splint Ø4x50	4
28	0017240	Attacco tirante cofano mini al piatto	Deck latch bracket	Attelage tirant capot au plateau	Plattenhaubezustange	4
29	0084289	Vite TTQST M8x20 v.150	Bolt TTQST M8x20 v.150	Vis TTQST M8x20 v.150	Schraube TTQST M8x20 v.150	4
	0084289	Vite TTQST M8x20 v.180	Bolt TTQST M8x20 v.180	Vis TTQST M8x20 v.180	Schraube TTQST M8x20 v.180	6
30	0091301	Vite TE M12x120 v.150	Bolt TE M12x120 v.150	Vis TE M12x120 v.150	Schraube TE M12x120 v.150	2
	0091301	Vite TE M12x120 v.180	Bolt TE M12x120 v.180	Vis TE M12x120 v.180	Schraube TE M12x120 v.180	3
31	0011328	Dado M8 v.150	Nut M8 v.150	Ecrou M8 v.150	Mutter M8 v.150	4
	0011328	Dado M8 v.180	Nut M8 v.180	Ecrou M8 v.180	Mutter M8 v.180	6
32	0015730	Rullo antiscalpo v.150	Antiscalping roller v.150	Rouleau anti-scalps v.150	Gegen Furchenbildungwalze v.150	2
	0015730	Rullo antiscalpo v.180	Antiscalping roller v.180	Rouleau anti-scalps v.180	Gegen Furchenbildungwalze v.180	3
33	0019371	Attacco rullo posteriore v.150	Rear roller hitch v.150	Attelage rouleau arrière v.150	Hinterwalzenanschluß v.150	2
	0019371	Attacco rullo posteriore v.180	Rear roller hitch v.180	Attelage rouleau arrière v.180	Hinterwalzenanschluß v.180	3

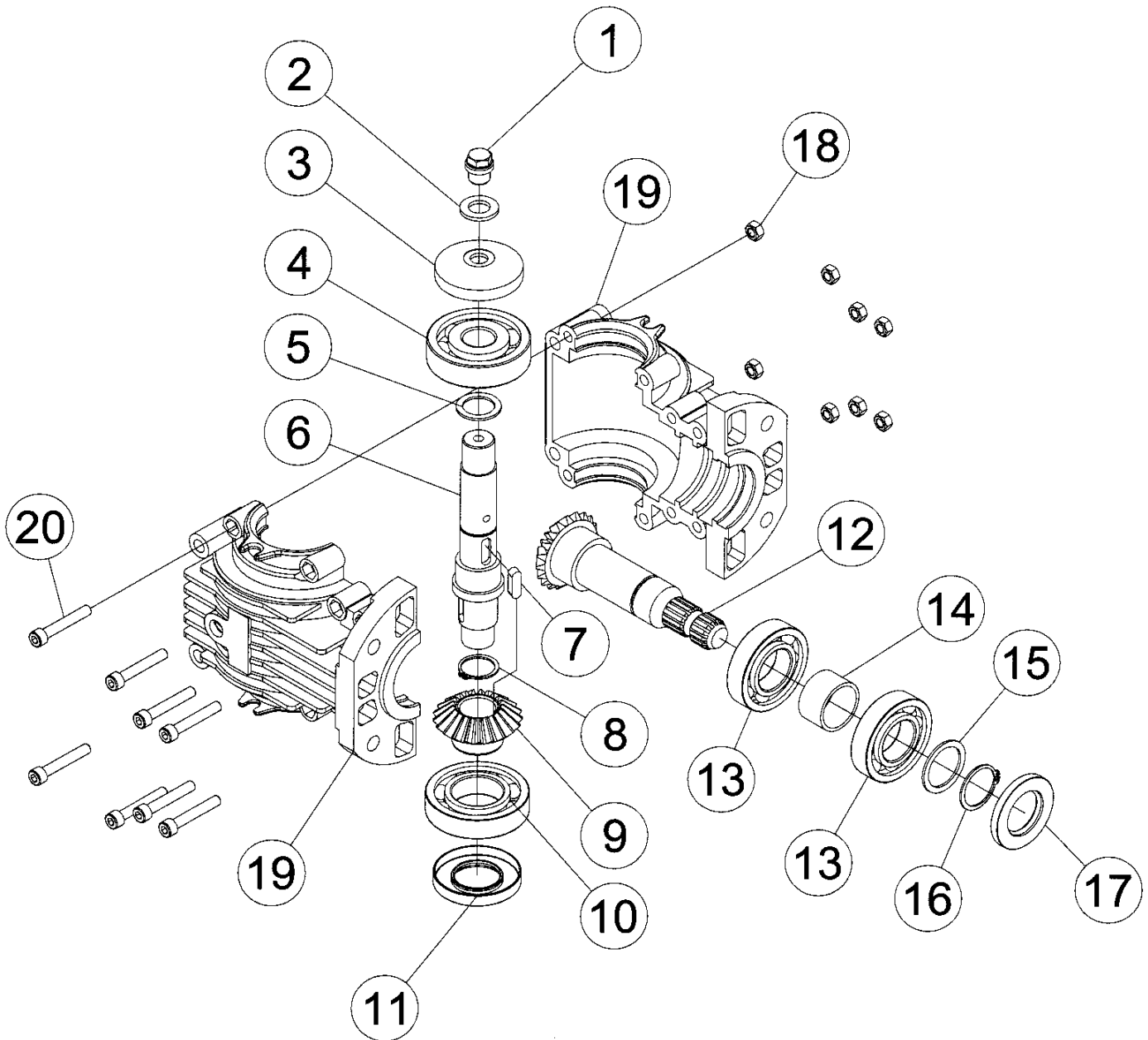
Rotomec: Cyclone 'YANC50'



Rotomec: Cyclone 'YANC50'

N.	COD.	DESCRIZIONE	DESCRIPTION	DESCRIPTION	BESCHREIBUNG	N.
1	0500686	Gruppo scatola completo	Complete gearbox	Boîtier complet	Komplette Gehäusegruppe	1
2	0006639	Linguetta 8x7x25	Key 8x7x25	Clavette 8x7x25	Schlüssel 8x7x25	4
3	0017460	Puleggia SPB 160x1	Pulley SPB 160x1	Poulie SPB 160x1	Riemenscheibe SPB 160x1	1
4	0005507	Dado M20	Nut M20	Ecrou M20	Mutter M20	1
5	0019260	Puleggia tendicinghia	Pulley belt tensioner	Poulie tendeuse	Riemenscheibenspanner	2
6	0006698	Dado M25	Nut M25	Ecrou M25	Mutter M25	4
7	0006792	Puleggia SPB 120x1 v.150	Pulley SPB 120x1 v.150	Poulie SPB 120x1 v.150	Riemenscheibe SPB 120x1 v.150	3
	0006622	Puleggia SPB 130x1 v.180	Pulley SPB 130x1 v.180	Poulie SPB 130x1 v.180	Riemenscheibe SPB 130x1 v.180	3
8	0030064	Dado M12	Nut M12	Ecrou M12	Mutter M12	1
9	0002265	Rondella piana Ø12	Flat washer Ø12	Rondelle plate Ø12	Flache Scheibe Ø12	4
10	0025300	Puleggia tendicinghia	Pulley belt tensioner	Poulie tendeuse	Riemenscheibenspanner	1
11	0050145	Seeger esterno Ø20	Outer snap ring Ø20	Circlip externe Ø20	Außenseegerring Ø20	1
12	0046555	Rondella piana Ø20	Flat washer Ø20	Rondelle plate Ø20	Flache Scheibe Ø20	1
13	0025257	Cinghia BX128 v.150	Belt BX128 v.150	Courroie BX128 v.150	Keilriemen BX128 v.150	1
	0025259	Cinghia BX148 v.180	Belt BX148 v.180	Courroie BX148 v.180	Keilriemen BX148 v.180	1
14	0005581	Dado M16	Nut M16	Ecrou M16	Mutter M16	1
15	0019290	Puleggia tendicinghia	Pulley belt tensioner	Poulie tendeuse	Riemenscheibenspanner	1
16	0051751	Vite fissa tendicinghia	Belt tensioner fixing bolt	Vis de fixation tendeur courroie	Schraube für Riemenspanner	1
17	0051753	Rondella piana Ø16	Flat washer Ø16	Rondelle plate Ø16	Flache Scheibe Ø16	1
18	0016738	Copiglia Ø3x20	Pin Ø3x20	Goupille Ø3x20	Splint Ø3x20	1
19	0025324	Perno attacco tirante	Turnbuckle hitch pin	Tourillon pour attache tirant	Zapfen für Zugbolzenanschluss	1
20	0025270	Supporto tendicinghia	Belt tensioner support	Palier tendeur courroie	Riemenspannersupport	1
21	0025320	Tirante molla completo	Complete tie rod spring	Tirant ressort complet	Kompletter Federzugbolzen	1
22	0025314	Molla	Spring	Ressort	Feder	1
23	0091446	Vite TE M8x25	Bolt TE M8x25	Vis TE M8x25	Schraube TE M8x25	2
24	0025310	Piastra tensionamento cinghia	Belt tensioner plate	Plaque tendeur courroie	Riemenspannerplatte	1
25	0001106	Dado M12	Nut M12	Ecrou M12	Mutter M12	2
26	0017216S	Indicatore molla completo	Spring rod indicator	Indicateur ressort complet	Zeigerfeder	1
27	0025302	Distanziale	Spacer	Entretoise	Distanzstück	1
28	0025304	Vite TE M12x75	Bolt TE M12x75	Vis TE M12x75	Schraube TE M12x75	1
29	0019264	Distanziale	Spacer	Entretoise	Distanzstück	1
30	0005508	Dado M20	Nut M20	Ecrou M20	Mutter M20	1
31	0077779	Vite TE M20x80	Bolt TE M20x80	Vis TE M20x80	Schraube TE M20x80	1
32	0030156	Dado M10	Nut M10	Ecrou M10	Mutter M10	13
33	0019296	Distanziale	Spacer	Entretoise	Distanzstück	1
34	0003124	Dado M16	Nut M16	Ecrou M16	Mutter M16	1
35	0051706	Cuscinetto 6205-2RS	Bearing 6205-2RS	Roulement 6205-2RS	Lager 6205-2RS	6
36	0019236	Distanziale	Spacer	Entretoise	Distanzstück	3
37	0006648	Supporto rotore	Spindle	Palier rotor	Rotorsupport	3
38	0001278	Vite TE M10x30	Bolt TE M10x30	Vis TE M10x30	Schraube TE M10x30	12
39	0006606	Anello di spessoramento	Spacer washer	Anneau d'épaisseur	Distanzring	3
40	0006636	Coperchiella	Cover	Couvercle	Deckel	3
41	0019234	Albero porta coltello	Spindle shaft	Arbre porte couteau	Messerwelle	3
42	0006641	Coltello v.150	Blade v.150	Couteau v.150	Messer v.150	3
	0006845	Coltello v.180	Blade v.180	Couteau v.180	Messer v.180	3
43	0008560	Molla a tazza	Spring washer	Ressort à disque	Tellerfeder	3
44	0006659	Vite fissa coltello	Blade bolt	Vis de fixation couteau	Messerbefestigungsschraube	3
45	0019294	Vite TE M16x80	Bolt TE M16x80	Vis TE M16x80	Schraube TE M16x80	1
46	0091446	Vite TE M8x25	Bolt TE M8x25	Vis TE M8x25	Schraube TE M8x25	2

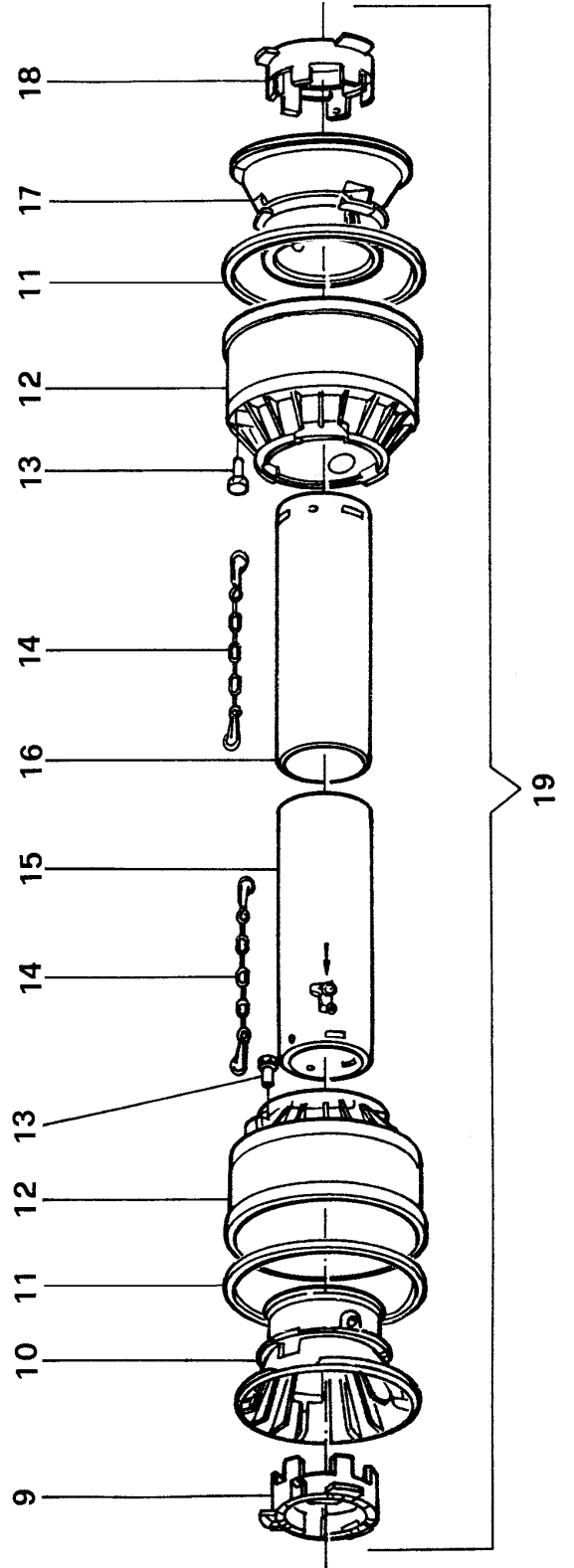
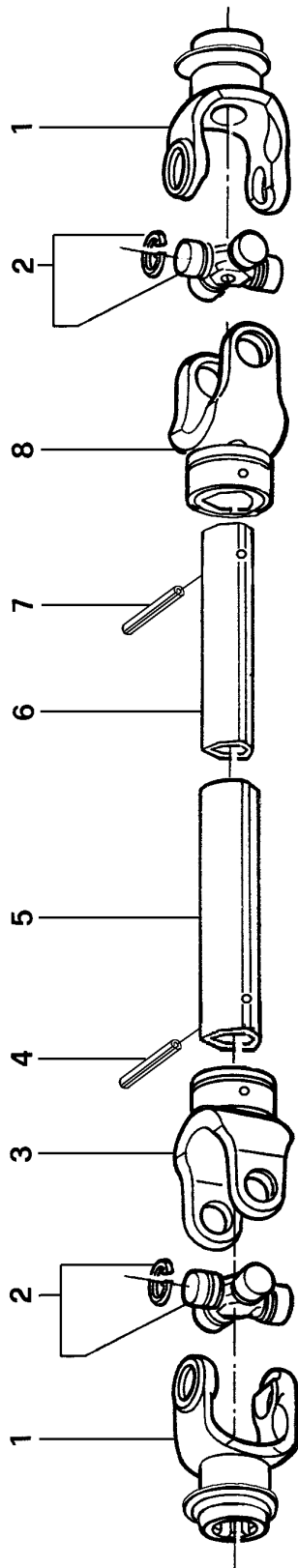
Rotomec: Cyclone 'YANC50'



Rotomec: Cyclone 'YANC50'

N.	COD.	DESCRIZIONE	DESCRIPTION	DESCRIPTION	BESCHREIBUNG	N.
1	0010177	Sfiatatoio	Breather cap	Bouchon d'huile	Gehäuseentlüfter	1
2	0008601	Guarnizione	Gasket	Joint d'étanchéité	Dichtung	1
3	0017125	Tappo superiore	Top locking cap	Bouchon supérieur	Obendeckel	1
4	0008988	Cuscinetto 6405	Bearing 6405	Roulement 6405	Lager 6405	1
5	0006606	Anello di spessoramento	Spacer washer	Anneau d'épaisseur	Distanzring	1
6	0019158	Albero porta corona	Ring gear shaft	Arbre porte couronne	Tellerradwelle	1
7	0006639	Linguetta 8x7x25	Key 8x7x25	Clavette 8x7x25	Schlüssel 8x7x25	1
8	0008989	Seeger esterno Ø28	Outer snap ring Ø28	Circlip externe Ø28	Außenseegerring Ø28	1
9	0008984	Corona conica	Ring gear	Couronne conique	Tellerrad	1
10	0012149	Cuscinetto 6208	Bearing 6208	Roulement 6208	Lager 6208	1
11	0008987	Paraolio 35-68-10	Oil seal 35-68-10	Pare-huile 35-68-10	Simmering 35-68-10	1
12	0017493	Pignone conico	Pinion gear	Pignon conique	Kegelrad	1
13	0025332	Cuscinetto 6207	Bearing 6207	Roulement 6207	Lager 6207	2
14	0010196	Distanziale	Spacer	Entretoise	Distanzstück	1
15	0034196	Anello di spessoramento	Spacer washer	Anneau d'épaisseur	Distanzring	1
16	0042122	Seeger esterno Ø35	Outer snap ring Ø35	Circlip externe Ø35	Außenseegerring Ø35	1
17	0002295	Paraolio 36-62-10	Oil seal 36-62-10	Pare-huile 36-62-10	Simmering 36-62-10	1
18	0001806	Dado M8	Nut M8	Ecrou M8	Mutter M8	8
19	0051896	Semiscatola	Gearbox housing	Demi-boîtier	Gehäusehälfte	2
20	0010171	Vite TCEI M8x50	Bolt TCEI M8x50	Vis TCEI M8x50	Schraube TCEI M8x50	8
	0500686	Gruppo scatola	Gearbox	Boîtier	Gehäusegruppe	

Rotomec: Cyclone 'YANC50'



Rotomec: Cyclone 'YANC50'

N.	COD.	DESCRIZIONE	DESCRIPTION	DESCRIPTION	BESCHREIBUNG	N.
1	1011115C	Forcella P.D.F.	PTO Yoke	Fourche P.D.F.	Aufsteckgabel	2
2	1001010C	Crociera	Cross & Bearing	Croisillon	Kreuzgelenk	2
3	1701027C	Forcella tubo esterno	Female yoke	Fourche femelle	Außenrohrgabel	1
4	6330850C	Spina elastica 8x50	Roll pin 8x50	Goupille élastique 8x50	Spannstift 8x50	1
5	1521039C	Albero esterno	Female shaft	Arbre femelle complet	Außenwelle	1
6	1520039C	Albero interno	Male shaft	Arbre mâle complet	Innenwelle	1
7	6330845C	Spina elastica 8x45	Roll pin 8x45	Goupille élastique 8x45	Spannstift 8x45	1
8	1701029C	Forcella tubo interno	Male yoke	Fourche mâle	Innenrohrgabel	1
9	1781210C	Anello tubo esterno	Outer tube locking ring	Anneau tube externe	Außenrohrring	1
10	1784201C	Controcuffia tubo esterno	Outer tube rigid cone	Contre coiffe tube externe	Außenrohrgegentopf	1
11	1213233C	Anello di rinforzo	Stiffening ring	Anneau de renforcement	Verstärkungsring	2
12	1784203C	Cuffia esterna	Outer cone	Coiffe externe	Außenschutztopf	2
13	1784212C	Spina di bloccaggio	Pin	Goupille	Haltestift	2
14	1006065C	Catenella	Chain	Chaîne	Kette	2
15	1773031C	Tubo protezione esterna	Female tube shield	Tube protection femelle	Außenschutzrohr	1
16	1872031C	Tubo protezione interna	Male tube shield	Tube protection mâle	Innenschutzrohr	1
17	1784202C	Controcuffia tubo interno	Inner tube rigid cone	Contre-coiffe tube interne	Innenrohrgegentopf	1
18	1781211C	Anello tubo interno	Inner locking ring	Anneau tube interne	Innenrohrring	1
19	90SS1031C	Protezione completa	Complete shielding	Protection complète	Kompletter Schutz	1
	0500472	Cardano	PTO shaft	Arbre à cardan	Kardangelenk	1

Part Number Index

All parts are stipulated in the order of part numbers.

(Depending on the area in which the part is used.)

This index will display the location of the part according to each part number.

PARTS No. INDEX

PARTS No.	Fig.	Ref.No.
121468-44510	1	20
165000-47440	22	13
165000-48560	39	7
165000-51540	38	13
165000-53540	4	3
165000-56780	1	23
165000-59800	10	19
165000-65330	21	32
165000-65340	30	31
165000-65350	30	32
165000-66860	31	17
165000-71080	1	24
165000-71260	10	20
	21	33
	32	7
165000-72650	33	5
165000-72750	30	33
165000-89970	31	18
165000-89980	36	20
165000-90960	41	3
165000-93380	34	36
165001-14820	5	26
165001-19010	37	17
165001-20440	37	18
165001-21730	34	18
165001-21740	34	19
165001-21810	27	21
165001-25070	29	29
165001-27610	3	9
165001-27640	27	22
165001-27660	20	15
165001-27930	31	19
165001-27960	38	14
165001-28210	18	16
165001-28250	3	10
165001-28260	31	20
165001-28270	31	21
165001-28430	41	16
165001-28440	41	17
165001-28450	41	18
165001-28470	41	19
165001-28480	45	4
165001-28500	41	4
165001-33980	15	5
165001-34000	1	9
165001-34010	1	25
165001-34020	1	26
165001-34040	1	27
165001-34050	37	19
165001-34060	37	20

PARTS No.	Fig.	Ref.No.
165001-34070	37	21
165001-34080	37	22
165001-34100	37	24
165001-34110	1	28
165001-34120	37	25
165001-34130	2	2
165001-34140	2	3
165001-34150	1	10
165001-34160	3	11
165001-34170	6	4
165001-34180	6	6
165001-34190	6	7
165001-34200	6	8
165001-34210	6	9
165001-34220	6	10
165001-34230	6	11
165001-34240	6	12
165001-34250	13	20
165001-34260	14	7
165001-34270	18	27
165001-34280	16	16
165001-34290	19	2
165001-34300	13	21
165001-34310	13	22
165001-34320	19	3
165001-34330	19	4
165001-34340	18	28
165001-34350	18	29
165001-34360	18	30
165001-34370	16	19
165001-34380	18	31
165001-34390	16	20
165001-34400	18	32
165001-34410	16	17
165001-34420	19	5
165001-34430	15	6
165001-34440	21	34
165001-34450	16	18
165001-34460	26	1
165001-34470	7	1
165001-34480	26	6
165001-34490	7	6
165001-34500	30	40
165001-34510	30	36
165001-34520	30	42
165001-34530	30	37
165001-34540	28	4
165001-34550	31	22
165001-34560	31	23
165001-34580	37	26

PARTS No.	Fig.	Ref.No.
165001-34590	35	13
165001-34600	35	14
165001-34610	4	4
165001-34640	37	27
165001-34650	37	28
165001-34660	5	27
165001-34680	5	29
165001-34690	19	6
165001-34700	32	13
165001-34710	32	14
165001-34720	32	15
165001-34730	32	8
165001-34740	32	16
165001-34750	32	17
165001-34760	41	5
165001-34770	41	6
165001-34780	41	7
165001-34790	41	8
165001-34800	41	20
165001-34810	37	29
165001-34820	37	30
165001-34830	36	21
165001-34840	1	29
165001-34850	36	22
165001-34860	36	23
165001-34870	21	35
165001-34880	15	7
165001-34910	11	14
165001-34920	11	25
165001-34930	11	26
165001-34970	18	23
165001-34980	18	24
165001-34990	18	25
165001-43520	5	28
194432-51550	32	18
198121-52110	34	37
198121-52150	34	39
198124-65630	41	9
1C6720-95030	41	1
1W0101-00650	30	1
1W0101-09265	15	1
1W0101-09439	44	2
1W0101-09502	43	1
1W0101-10650	10	1
1W0101-11030	24	1
1W0104-01212	9	1
1W0107-00620	28	7
1W0107-00855	9	36
1W0107-01035	15	2
1W0107-09043	18	1

PARTS No.	Fig.	Ref.No.
1W0107-09043	22	1
1W0108-00612	1	1
	35	1
	37	1
1W0108-00616	1	2
	11	24
	13	1
	34	1
	35	2
1W0108-00620	10	2
	37	2
1W0108-00812	32	1
1W0108-00814	34	3
		4
1W0108-00816	6	1
	11	22
	23	1
		2
	25	1
	27	1
	30	2
	31	1
	37	3
		4
	39	1
	40	20
1W0108-00820	1	3
	5	2
	36	1
		2
	37	5
	38	1
		2
		3
1W0108-09001	40	15
1W0108-09007	37	6
	38	4
		5
1W0108-10630	28	1
1W0111-09012	35	3
1W0111-40610	13	2
1W0111-40612	24	2
1W0113-10620	10	17
1W0113-10825	33	1
1W0113-11020	30	34
	44	3
1W0113-11225	43	2
1W0114-00825	40	13
1W0115-10870	5	7

PARTS No. INDEX

PARTS No.	Fig.	Ref.No.
1W0115-11220	27	2
1W0118-00825	40	7
1W0121-11020	9	2
1W0121-11025	13	3
1W0121-11035	13	4
1W0121-11040	13	5
1W0121-11050	13	6
1W0151-40514	34	5
1W0156-00516	40	10
1W0201-00005	37	7
1W0201-00006	11	1
	27	3
	33	8
1W0201-00008	3	1
1W0201-09029	9	54
1W0201-09079	16	1
1W0201-09125	11	2
	23	3
1W0206-09805	21	1
1W0209-10008	4	1
1W0209-10012	12	5
1W0210-10010	9	3
	24	3
1W0213-00006	5	4
	13	7
1W0215-00008	3	2
	4	2
	14	1
	20	1
	30	3
	39	2
1W0215-00010	14	2
	21	2
	43	3
1W0223-00008	5	5
1W0223-00010	21	3
	29	1
	36	3
1W0224-00010	21	4
1W0224-09003	12	1
	43	4
1W0225-09001	12	2
1W0261-09013	29	2
1W0261-09023	11	3
1W0301-02016	3	3
	21	5
		6
1W0301-02516	36	4
1W0301-02520	11	17
1W0301-03025	9	63

PARTS No.	Fig.	Ref.No.
1W0301-03220	21	8
		9
1W0301-03225	9	55
	20	2
	25	2
	27	4
		5
	40	21
1W0303-00414	40	8
1W0303-00528	30	4
		5
1W0303-00628	21	10
	22	2
	24	4
1W0303-03528	21	11
1W0305-00625	24	11
1W0305-00820	9	4
		5
	13	8
		9
1W0305-01025	9	6
	13	10
1W0305-01032	13	11
1W0305-09021	11	4
1W0313-10820	21	12
	27	6
1W0313-10845	11	16
1W0313-11020	25	3
	27	7
1W0313-11030	21	14
1W0401-09034	9	7
1W0401-09054	16	2
1W0401-09065	9	8
1W0403-06207	9	10
1W0425-32007	9	11
1W0481-09004	24	5
1W0502-01325	18	2
	19	1
1W0502-02332	9	12
1W0503-01165	9	13
1W0506-09043	9	14
1W0506-09045	9	15
1W0506-09047	24	6
1W0646-00016	9	16
	13	12
1W0671-00038	1	4
1W0671-00043	1	5
1W0671-00065	6	2
1W0671-00075	6	3
1W0672-00078	5	3

PARTS No.	Fig.	Ref.No.
1W0672-00130	5	8
1W0672-00150	29	3
1W0681-09052	21	15
1W0681-09053	20	3
	30	6
		7
1W1303-40110	5	9
1W1992-80560	9	17
1W1992-80580	9	18
	18	3
1W1992-80590	9	19
	18	4
1W1992-80630	16	4
1W1992-80640	16	5
1W1992-80650	16	6
1W1992-80720	9	20
1W1992-80730	9	21
1W1992-80740	9	22
1W1992-80750	24	7
1W1992-80760	24	8
1W1992-80770	24	9
1W3101-01090	1	6
1W3101-10190	1	21
1W3101-20260	1	7
1W3101-30290	1	8
1W3101-40910	37	8
1W3103-00880	1	12
1W3105-60050	1	22
1W3121-00931	3	4
1W3127-00650	21	16
1W3127-40230	27	8
1W3145-31182	6	5
1W3200-80101	22	3
1W3201-71630	8	1
1W3202-01131	21	17
1W3202-01200	18	5
1W3202-10370	22	4
1W3202-60200	18	6
1W3205-51671	14	3
1W3205-51690	14	4
1W3205-60771	14	5
1W3206-90106	18	17
1W3206-90108	18	18
1W3206-90111	18	19
1W3206-90112	18	20
1W3206-90130	18	21
1W3207-20230	15	3
1W3220-17760	9	23
1W3220-51270	9	25
1W3221-17431	9	28

PARTS No.	Fig.	Ref.No.
1W3221-17451	9	29
1W3221-17471	9	30
1W3221-40270	13	13
1W3221-41990	18	7
1W3222-13490	9	31
1W3222-62850	9	32
1W3222-63130	9	33
1W3223-25740	16	7
1W3223-25750	16	8
1W3223-25760	18	8
1W3223-71980	18	9
1W3225-13460	22	5
1W3225-13491	9	34
1W3225-13660	8	2
1W3225-31610	16	9
1W3225-31630	18	10
1W3225-41230	9	26
1W3225-90820	18	11
1W3226-10140	8	3
1W3228-00160	17	1
1W3228-40727	17	4
1W3228-40728	17	5
1W3228-40773	17	8
1W3228-40823	17	55
1W3228-40824	17	58
1W3228-40825	17	59
1W3240-20990	22	6
1W3240-21040	23	4
1W3241-06610	22	8
1W3241-06670	20	4
1W3241-06690	20	5
1W3241-06710	20	6
1W3241-06720	16	10
1W3241-06770	23	6
1W3241-06780	23	7
1W3241-06790	23	8
1W3241-06800	21	18
1W3241-20980	23	9
1W3241-20990	11	5
1W3241-21000	20	7
	21	19
1W3242-02700	16	11
1W3243-12960	16	12
1W3243-62080	20	8
1W3243-62090	20	9
1W3244-12290	22	9
1W3244-12390	16	13
1W3245-01260	23	10
1W3245-01270	21	20
1W3245-01280	21	21

PARTS No. INDEX

PARTS No.	Fig.	Ref.No.
1W3249-10090	13	14
1W3260-10260	24	10
1W3260-10410	9	35
1W3261-10593	24	16
1W3261-10880	9	37
1W3261-11090	9	38
1W3261-20920	9	27
1W3261-30343	24	12
1W3261-30472	24	17
1W3261-30530	9	39
1W3261-40030	24	13
1W3261-40211	9	40
1W3261-60030	24	18
1W3261-60060	9	41
1W3261-70060	24	14
1W3262-11660	9	44
1W3262-11670	9	45
1W3262-20420	24	20
1W3262-20430	24	21
1W3262-40600	9	46
1W3262-40690	9	47
1W3263-01770	24	22
1W3263-12381	9	48
1W3263-44970	24	23
1W3263-45230	9	49
1W3263-45250	9	50
1W3263-70840	9	51
1W3265-30330	24	24
1W3265-50210	25	4
1W3265-70400	24	25
1W3266-10181	24	26
1W3281-10220	24	27
1W3282-60170	24	28
1W3283-00570	24	29
1W3283-00580	24	30
1W3283-60440	27	9
1W3284-00560	27	10
1W3284-90045	24	31
1W3285-60190	24	32
1W3285-60400	24	33
1W3285-60410	24	34
1W3303-11370	9	52
1W3340-11200	10	4
1W3340-40401	11	6
1W3340-73820	9	53
1W3342-93135	10	5
1W3343-10210	11	7
1W3343-20171	11	8
1W3345-25090	9	65
1W3347-12030	9	56

PARTS No.	Fig.	Ref.No.
1W3348-00360	23	11
1W3348-00370	23	22
1W3348-00420	23	12
1W3348-01330	11	9
1W3348-01360	9	57
1W3348-01390	9	60
1W3348-10207	9	58
		61
1W3348-10209	9	59
		62
1W3361-02261	26	2
1W3361-03460	7	2
1W3361-50020	7	3
	26	3
1W3361-70010	7	4
	26	4
1W3361-80030	7	5
	26	5
1W3401-06520	30	8
1W3401-06530	30	9
1W3401-06620	23	13
1W3401-70880	29	4
1W3402-92120	30	35
		41
1W3404-90192	30	11
1W3404-90193	30	12
1W3405-00930	31	2
1W3405-60340	31	3
1W3406-15881	13	15
1W3406-21880	28	2
1W3406-31200	30	13
1W3406-31210	30	14
1W3406-31220	30	10
1W3406-70280	12	3
1W3406-71220	10	6
1W3406-71381	10	7
1W3406-71510	30	15
1W3406-71710	10	8
1W3406-71730	30	16
1W3406-71810	30	17
1W3406-71970	30	18
1W3406-72830	29	5
1W3406-73520	31	4
1W3406-73590	29	6
1W3406-73640	31	5
1W3406-73820	29	7
1W3406-73870	17	71
1W3406-90240	29	8
1W3406-90450	29	9
1W3406-92021	10	9

PARTS No.	Fig.	Ref.No.
1W3406-92060	31	6
1W3406-92490	13	16
1W3406-92650	10	10
1W3407-07980	31	7
1W3407-07991	10	11
1W3407-08000	10	12
1W3407-08010	10	13
1W3407-08020	10	14
1W3407-08040	31	8
1W3407-08050	31	9
1W3407-08060	31	10
1W3407-08080	30	19
1W3407-08090	30	20
1W3407-08100	30	21
1W3407-08380	30	22
1W3408-01660	30	23
1W3440-10270	29	10
1W3440-10280	29	12
1W3449-02310	29	14
1W3449-52381	12	4
1W3449-52790	29	15
1W3449-60427	12	6
1W3449-60437	12	7
1W3501-03960	36	5
1W3501-11330	36	6
1W3503-20390	35	4
1W3503-20400	35	5
1W3503-60110	35	6
1W3505-02753	36	7
1W3505-02770	36	8
1W3505-02781	36	9
1W3507-56070	36	10
1W3550-70411	40	1
1W3550-80510	40	3
1W3551-05730	38	6
1W3551-11970	38	7
1W3551-71760	38	8
1W3552-52430	40	25
1W3556-05070	39	3
1W3556-05150	39	4
1W3556-05290	39	5
1W3556-30100	40	26
1W3557-00581	40	2
1W3557-40282	40	6
1W3557-40283	40	4
1W3557-40286	40	14
1W3557-40287	40	16
1W3557-52220	40	27
1W3558-50150	40	28
1W3581-04750	27	11

PARTS No.	Fig.	Ref.No.
1W3581-04770	25	5
1W3581-04780	23	14
		15
1W3582-00930	23	16
1W3582-00940	27	12
1W3585-00261	27	13
1W3585-11120	25	6
1W3585-11220	23	17
1W3585-11230	23	18
1W3585-11240	11	10
1W3585-11250	23	19
1W3585-11260	23	20
1W3585-50010	25	7
	27	14
1W3585-50020	25	8
1W3585-50190	27	15
1W3585-60180	21	22
1W3585-60190	21	23
1W3601-02060	13	17
1W3601-02220	5	10
1W3602-00670	5	12
1W3603-00080	5	13
1W3605-01350	5	14
1W3607-70990	1	13
	5	15
1W3607-71360	5	16
1W3608-00040	5	17
1W3703-10590	29	16
1W3703-10610	29	17
1W3707-70130	29	18
1W3709-00760	29	19
1W3781-07220	36	11
1W3781-07230	36	12
1W3781-07250	38	10
1W3781-07420	38	9
1W3783-06890	43	5
1W3783-06910	43	6
1W3783-08100	43	7
1W3789-10020	23	21
1W3789-10030	23	23
1W3789-10240	40	29
1W3789-10250	11	11
1W3850-40990	35	7
1W3851-01910	34	6
1W3851-20700	34	7
1W3851-20730	34	38
1W3851-50200	34	8
1W3852-00891	34	9
		12
1W3852-02100	34	15

PARTS No. INDEX

PARTS No.	Fig.	Ref.No.
1W3852-02110	34	16
1W3852-10280	34	17
1W3852-30120	34	20
1W3852-30250	34	21
1W3852-30300	34	22
1W3852-40037	34	10
		13
1W3852-40038	34	11
		14
		23
1W3852-50130	34	24
1W3852-80210	34	25
1W3853-10021	34	26
1W3854-10080	32	9
1W3854-10130	32	10
1W3854-70299	35	8
1W3854-70300	35	9
1W3854-70301	35	10
1W3854-70302	35	11
1W3856-11050	45	2
1W3856-20220	32	11
1W3856-20380	32	12
1W3856-50511	32	2
1W3857-50360	34	27
1W3857-50370	45	3
1W3857-50380	45	1
1W3858-70640	34	28
1W3858-70750	34	29
1W3859-60550	29	20
1W3859-72660	34	30
1W3891-01950	33	2
1W3894-10310	33	3
1W3895-10750	33	4
1W3901-01400	41	2
1W3901-73600	41	10
1W3901-73650	41	21
1W3901-91690	41	11
1W3901-96900	42	1
1W3901-96910	42	2
1W3901-97710	41	12
1W3901-98260	42	3
1W3901-98510	41	13
1W3903-72000	41	14
1W3903-72400	41	15
1W3981-10100	37	9
	40	30
1W3981-10110	5	18
	14	6
	25	9
	27	16

PARTS No.	Fig.	Ref.No.
1W3981-10140	30	24
1W3981-10240	1	14
1W3981-10501	1	15
	40	31
1W3981-11640	23	24
		25
1W3981-13000	25	10
1W3981-13310	31	11
1W3981-13570	5	19
1W3981-14451	3	5
1W3981-15430	36	13
1W3981-15500	18	12
1W3981-15530	5	20
1W3981-15630	10	15
	30	25
1W3981-17180	23	26
		27
1W3981-17270	1	16
1W3981-17710	37	10
1W3981-17790	27	17
1W3981-19670	1	17
1W3981-19870	32	3
1W3981-20410	38	11
1W3981-20790	2	1
1W3981-20950	15	4
1W3981-21150	36	14
1W3981-21160	1	18
1W3981-21440	36	15
1W3981-30310	5	21
1W3981-31210	36	16
1W3981-31310	36	17
1W3981-31330	40	32
1W3981-33690	37	11
1W3981-34730	37	12
1W3981-35010	40	33
1W3981-35140	40	34
1W3981-35150	40	35
1W3981-80332	30	26
1W3981-80610	30	27
		28
1W3981-80671	36	18
1W3981-80890	20	10
1W3981-80921	3	6
1W3981-81300	11	12
1W3981-81770	37	13
1W3982-10280	16	14
1W3982-10290	25	11
	27	18
1W3982-11210	38	12
1W3982-11880	34	31

PARTS No.	Fig.	Ref.No.
1W3982-12210	3	7
1W3982-12310	29	21
1W3982-13340	24	35
1W3982-13410	43	8
1W3982-14450	22	10
1W3982-14540	40	36
1W3982-14590	21	24
	27	19
1W3982-15500	20	11
1W3982-30070	43	9
1W3983-30290	37	14
1W3983-30320	37	15
1W3983-40240	39	6
1W3983-40460	35	12
1W3984-00430	9	66
1W3984-00550	13	18
1W3984-60390	24	36
1W3984-80240	10	16
	31	12
1W3984-80640	28	3
1W3984-81040	31	13
1W3984-81300	31	14
1W3985-10070	25	12
	27	20
1W3985-10150	23	5
1W3985-10300	29	11
		13
1W3985-10350	9	24
1W3985-11310	22	7
	23	28
		29
1W3985-11320	20	12
		13
		25
	21	25
	23	30
1W3985-11930	22	11
1W3985-11990	34	32
1W3985-60730	18	22
1W3985-66470	18	13
1W3985-66480	18	14
1W3987-50220	3	8
	5	22
	32	4
1W3987-50240	29	22
1W3987-50420	31	15
1W3987-50430	1	19
1W3990-10390	44	1
1W3991-00630	10	3
1W3991-10340	32	5
1W3991-11311	37	16

PARTS No.	Fig.	Ref.No.
1W3991-11970	29	23
1W3991-12130	10	18
	30	29
1W3991-12851	32	6
1W3991-13240	31	16
1W3991-13620	5	23
1W3991-16350	5	24
1W3992-10710	12	8
1W3992-11890	21	26
1W3992-32470	9	67
1W3992-35520	18	15
1W3992-35760	36	19
1W3992-60130	24	19
1W3992-61070	9	42
1W3992-61080	9	43
1W3992-61250	24	15
1W3992-61500	22	12
1W3993-10330	24	37
1W3993-70740	9	68
1W3994-10140	21	27
1W3994-31070	20	14
	21	28
1W3995-64790	16	15
1W3995-68660	13	19
1W3995-68720	29	24
1W3995-68730	21	29
1W3995-68740	34	33
1W3995-68750	34	34
1W3995-68760	40	37
1W3995-81320	11	13
1W3996-00110	12	9
	29	25
1W3996-11460	43	10
1W3996-12071	12	10
1W4546-70040	30	30
1W4852-20181	34	35
1W4909-92430	42	4
1W4909-92440	42	5
1W4909-92450	42	6
1W4909-92470	42	7
1W4909-92480	42	8
1W4909-92490	42	9
1W4981-80100	40	38
1W4982-11470	24	38
1W4982-21080	23	31
1W4982-21100	21	30
		31
1W5997-30030	29	26



YANMAR CO.,LTD.